

CONTENTS

| | |
|------------------------------------|----|
| INTRODUCTION | 1 |
| MOUNTING RECOMMENDATIONS | 2 |
| PREPARATION INSTRUCTIONS | 2 |
| FAN INSTALLATION | 4 |
| CONTROL FEATURES: | |
| 3-SPEED CONTROL WIRING | 8 |
| 3-SPEED OPERATIONS | 9 |
| TROUBLESHOOTING | 10 |

READ AND SAVE THESE INSTRUCTIONS

SAFETY FIRST

Safety and the proper operation of your Casablanca fan both require a thorough knowledge of the product and proper installation; therefore, before attempting to install and operate your Casablanca fan, read this owner's manual completely and carefully. Retain this manual for future reference.

CAUTION: To avoid possible electrical shock, make certain that electricity is turned off at the circuit breaker or fuse box before attempting any installation procedure.

BEFORE YOU START

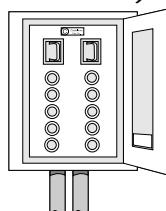
- All wiring must be in accordance with the National Electric Code ANSI/NFPA 70-1993 and the appropriate local electrical codes. The National Electric Code requires proper grounding as a precaution against electrical shock. A qualified electrician should be consulted if you are unsure.
- This fan is designed to be installed on an existing electrical outlet box. The outlet box must be UL Listed for ceiling fan installations, if it is not, a new box must be installed. Casablanca extension poles are available for sloped or high ceiling installations.
- This ceiling fan requires a grounded electrical supply of 120 VAC, 60 Hz and a minimum 15 amp circuit. The maximum current requirement for the fan with light fixture is 3.8 amps. The fan uses about 1 amp or 100 watts. Maximum light current is 2.8 amps or 340 watts of lighting.
- Where wire nuts are employed, be sure all bare wires are within the connectors. When installing the canopy hatch, make sure all wires are within the canopy and that no wires are being pinched.

For best performance and for your warranty to be valid, use only genuine Casablanca blades, light fixtures, and accessories.

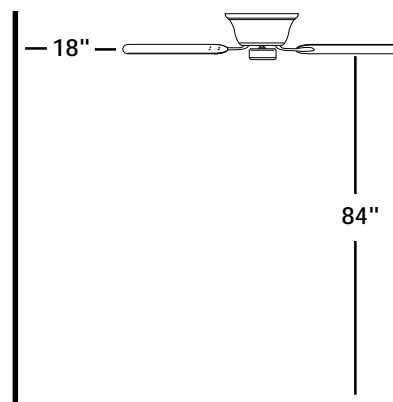
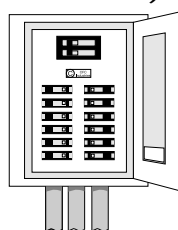
SAFE USE

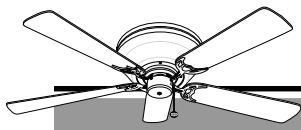
- The blades in each pack are matched for equal weight to assure smooth fan operation. If more than one fan is being installed, be careful not to mix blades from different cartons.
- Inspect the contents of your carton for possible shipping or handling damage and report any such damage directly to your authorized Casablanca dealer.
- It is always a good idea to have an assistant to help with the installation.
- When cleaning, painting, or working near your fan, be very careful of the fan and blades. Always turn the power OFF to the ceiling fan before servicing it, working on it, or replacing light bulbs.
- Never insert anything into the path of the fan blades while the fan is in operation.
- Never install a fan over a pool or spa.
- Never operate a fan that has been damaged in any way. Contact Casablanca Fan Company by calling 1-888-227-2178, or contact your local authorized Casablanca dealer for assistance in obtaining service.

FUSE BOX
(REMOVE FUSE FOR THE
CIRCUIT YOU WILL BE
WORKING ON)



CIRCUIT BREAKER
(TRIP BREAKER FOR THE
CIRCUIT YOU WILL BE
WORKING ON)





FOUR SEASONS™ III HUGGER

MOUNTING RECOMMENDATIONS

Before mounting your Casablanca fan, read the following helpful recommendations. The location of the fan, air circulation, and fan size are all important factors to consider before installation.

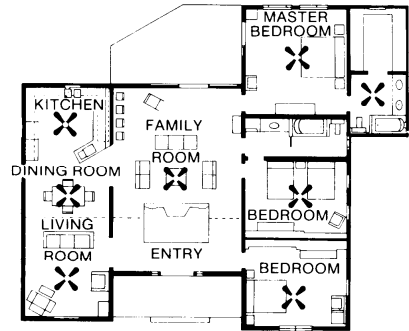
Location

Ceiling fans have practical uses in almost every room in your home. We suggest you follow these mounting recommendations as you decide where to install your Casablanca fan.

- For safety reasons, the fan blades must be a minimum of 7' above the floor.
- Do not locate the fan in a doorway or above a swinging door.
- In any installation, the tips of the blades must be at least 18" from the wall in order to provide sufficient clearance for the blades.
- In bedrooms, fans work best when mounted above the foot of the bed.
- Over pool tables, be sure to provide plenty of clearance to avoid damage from pool cues.
- In kitchens be sure to allow for open cupboard doors to clear the fan blades.
- Do not install a fan close to, or over, a pool or spa. High humidity combined with corrosive gases will destroy the finish and warp the blades.

Fan Size

Variable fan speed capability permits the use of a full-size 52" fan even in smaller rooms. For very large rooms, two fans may be needed.



PREPARATION INSTRUCTIONS

Unpacking: Before assembling and installing your ceiling fan, remove all parts from the shipping cartons and check them against the parts listed here. Before discarding packaging material, be certain that all parts have been removed.

Carton Contents

The fan carton contains the fan body, warranty card, owner's manual, and all the parts necessary to assemble and install your Casablanca ceiling fan. These parts are shown at the start of each installation section. Before you start, go through this Owner's Manual and confirm that you have all the parts shown in each section.

Be sure to use only genuine Casablanca blades. The blade shrink wrap holds 5 blades of matched weight. If more than one fan is being installed, be sure not to mix blade sets.

CAUTION: When removing the shrink wrap, be careful not to scratch the blades.

GETTING STARTED

Installing a New Ceiling Fixture Outlet Box

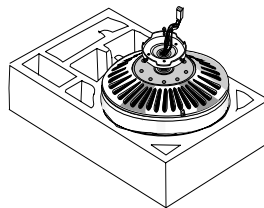
If you do not have an existing fixture located where you wish to place your Casablanca fan, an approved ceiling fixture outlet box must be installed and wired.

WARNING: To reduce the risk of fire, electrical shock, or personal injury, mount to outlet box marked acceptable for ceiling fan support using the mounting hardware provided with the outlet box.

Using Existing Ceiling Fixture Outlet Box

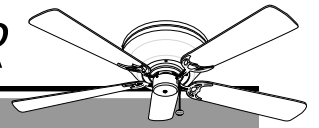
After turning the power OFF at its source (either circuit breaker or fuse box), lower the old fixture and disconnect the wiring. Check the ceiling fixture outlet box to be sure that it is marked 'Approved for ceiling fan mounting'. If it is not, a new box must be installed.

NOTE: The fan weight is 20 pounds.



TIP: The packing styrofoam makes a handy work bench. Remove the bottom foam from the box.

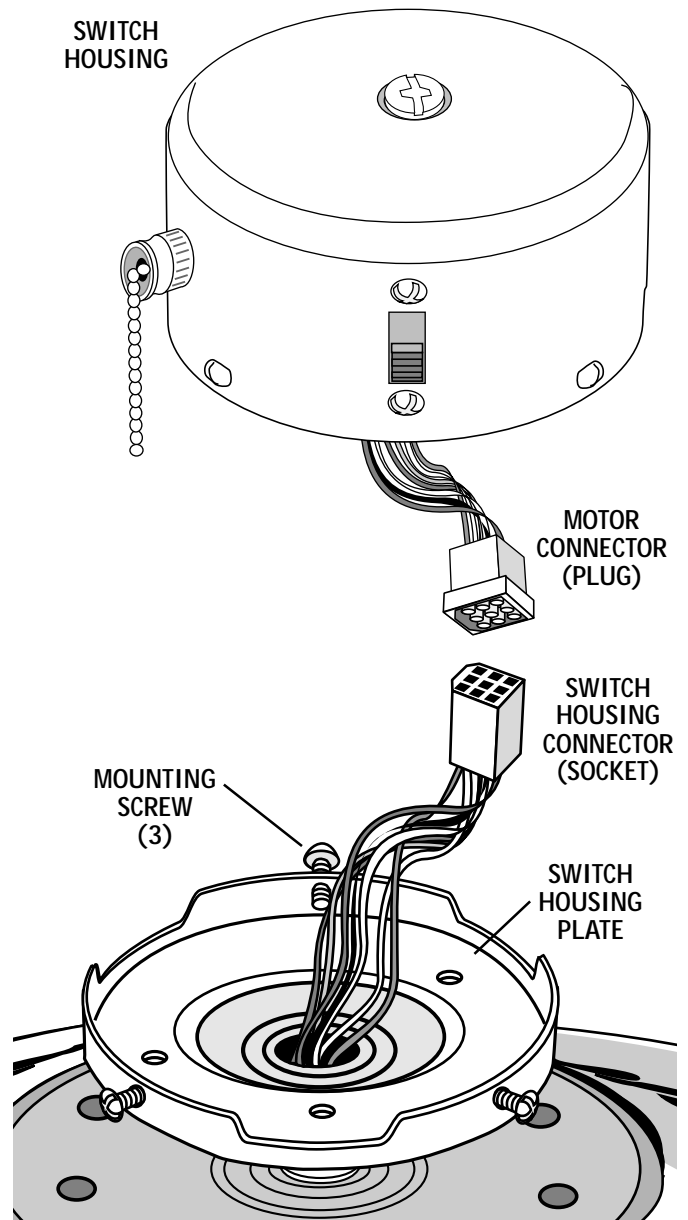
FOUR SEASONS™ III HUGGER



SWITCH HOUSING INSTALLATION

Step 1. Hold the switch housing close to the fan and connect the motor plug to the switch housing socket. The connectors are keyed to ensure correct alignment during installation - *Do not force!*

Step 2. Remove the three mounting screws from the switch housing plate ready for the next step.



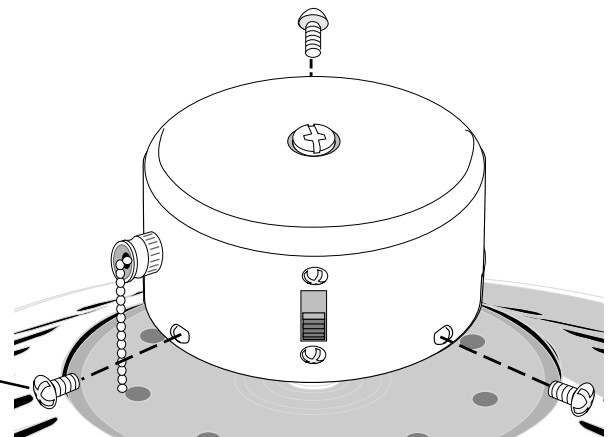
SWITCH HOUSING INSTALLATION

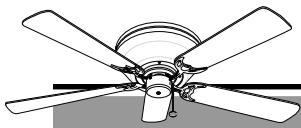
Step 3. Position the switch housing assembly on the switch housing plate and align the holes in the switch housing with the holes in the plate. Secure the switch housing assembly by reinstalling the three screws removed in the previous step.

CAUTION! Do not pinch wires between the switch housing assembly and the plate.



MOUNTING SCREW (3)





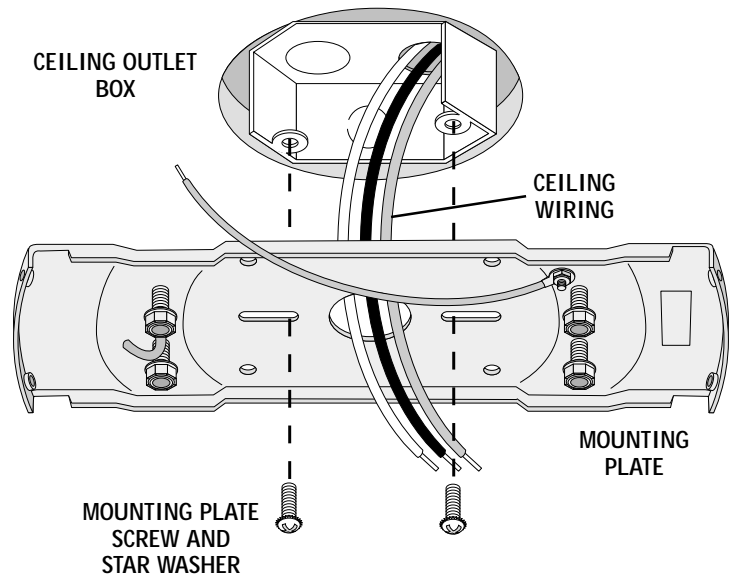
FOUR SEASONS™ III HUGGER

INSTALLING THE MOUNTING PLATE

Step 4. Carefully feed the ceiling wires through the center hole of the mounting plate then securely attach the mounting plate to the outlet box using the two 8-32 round head screws with star washers supplied. Make sure the hook and threaded studs are pointed downward.

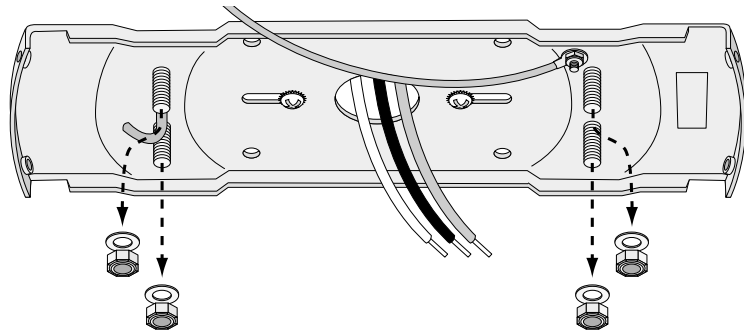
CAUTION: To reduce the risk of personal injury use only the two steel screws (with locking star washers) provided with the fan for mounting to the outlet box.

Step 5. Check that the mounting plate is seated firmly against the ceiling and that none of the ceiling wires have been pinched by the plate. If the mounting plate and/or junction box are not securely attached, the fan could wobble or fall.



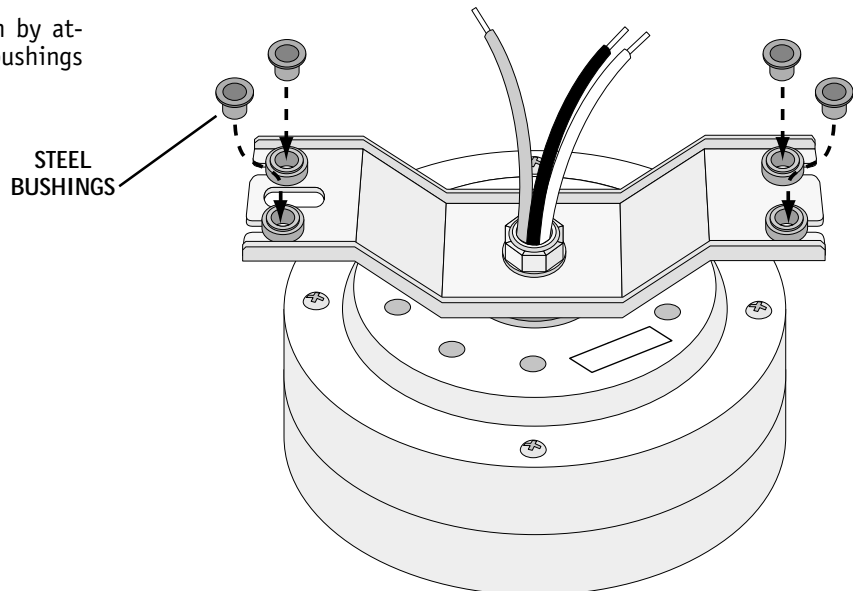
REMOVE MOUNTING PLATE NUTS AND WASHERS

Step 6. Remove the four nuts and washers from the mounting plate and set aside for use in Step 12.

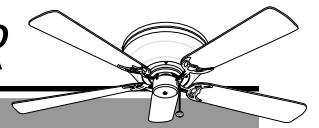


INSTALL STEEL BUSHINGS

Step 7. Prepare the motor for installation by attaching the steel bushings into the rubber bushings so that their top surfaces are flush.

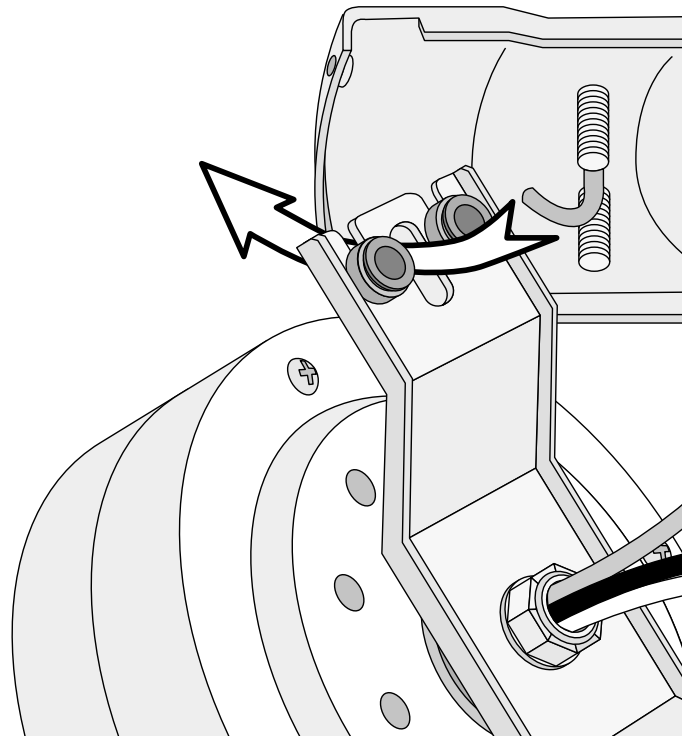


FOUR SEASONS™ III HUGGER



HANGING THE FAN TEMPORARILY

Step 8. Use the hanging slot of the mounting bracket to hang the fan on the hook of the mounting plate. This will help you in making the electrical connections.

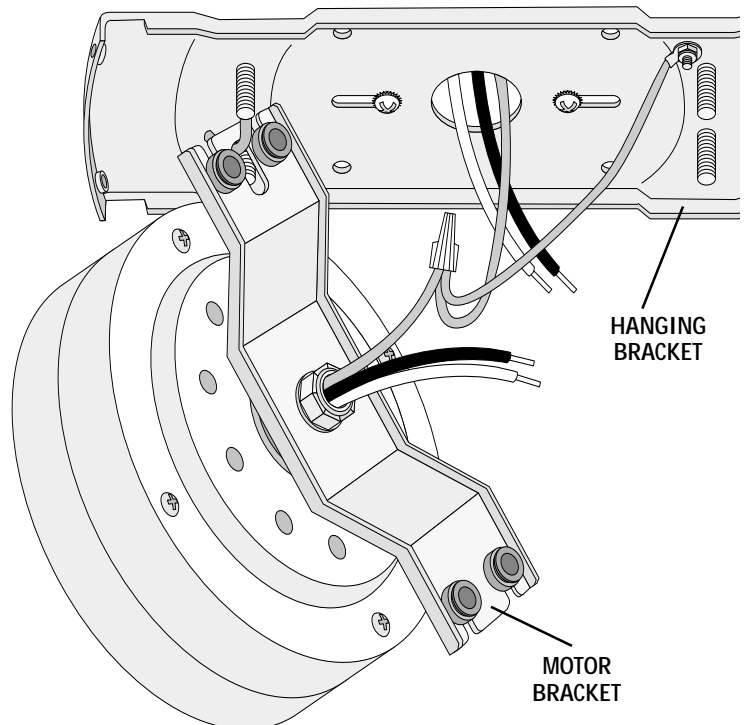


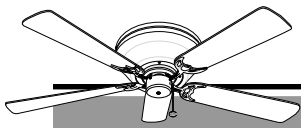
WIRING PRELIMINARIES

Step 9. To avoid possible electric shock, be sure electricity is turned off at the main fuse box or breaker before wiring.

CAUTION: If you are not sure that the ceiling outlet box is grounded, contact a licensed electrician for advice. It must be grounded for safe operation.

Step 10. Connect the green grounding lead from the motor bracket and hanging bracket to the grounding conductor of the supply from the ceiling (this may be a bare copper or green Insulated wire) using the wire nut provided.





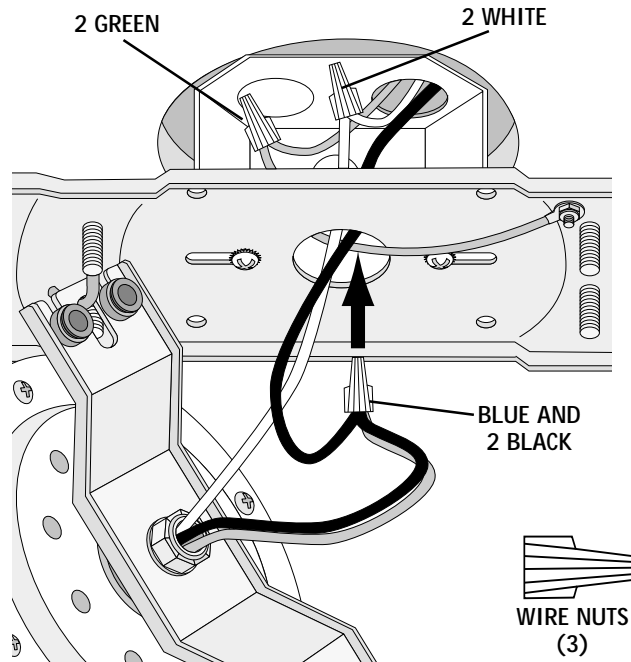
FOUR SEASONS™ III HUGGER

CONNECTING THE WIRING

Step 11a. Attach the fan wires to the ceiling fixture outlet box wiring by twisting the bare ends of the wires together and then securing with a wire nut. Test that the connection is secure by pulling on the wire nut. Connect in this order:

- GREEN leads from the mounting plate and fan to GROUND conductor of power source. Secure with wire nut.
- WHITE wire from fan to white NETURAL wire in ceiling fixture outlet box. Secure with wire nut.
- BLACK & BLUE wires from fan to black (*or red) POWER wire in ceiling fixture outlet box. Secure with wire nut.

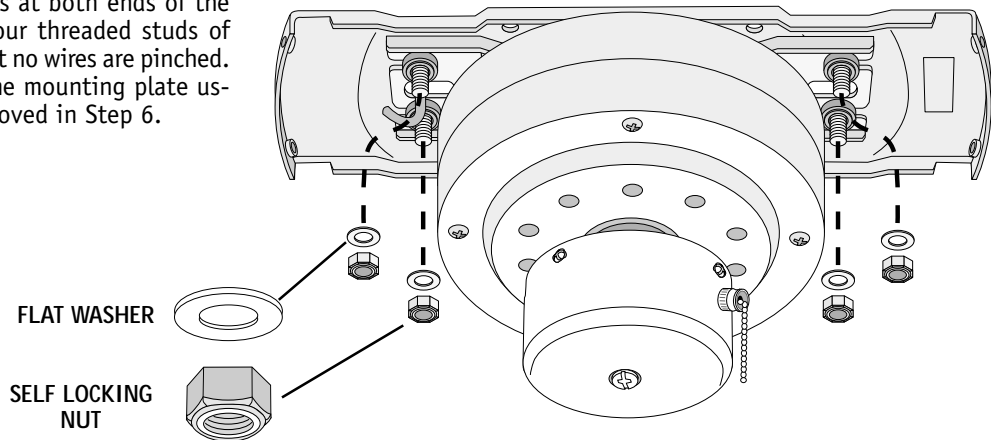
Step 11b. Tuck the wires into the outlet box with the wirenuts pointed upward



NOTE: If you are using an optional light fixture with your fan, see Light Fixture Instruction sheet for wiring.

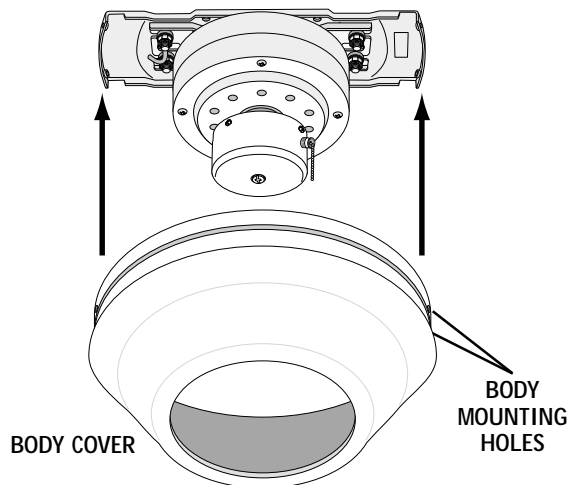
FINAL ATTACHMENT

Step 12. Match the four holes at both ends of the mounting bracket with the four threaded studs of the mounting plate. Assure that no wires are pinched. Secure the fan assembly to the mounting plate using the washers and nuts removed in Step 6.

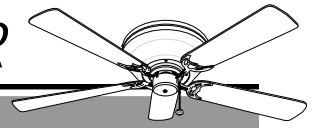


BODY COVER ATTACHMENT

Step 13. Lift the body cover to the mounting plate and align the two pairs of mounting holes in the fan body with the threaded holes in the ceiling mounting plate.

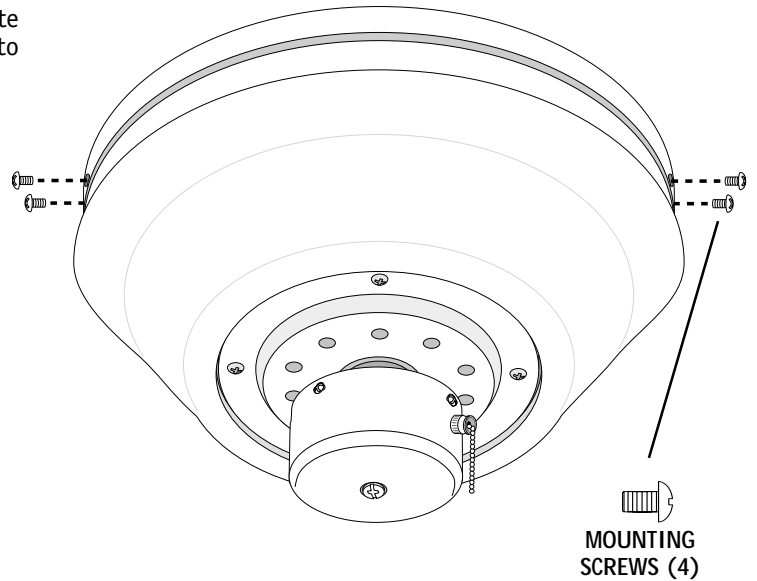


FOUR SEASONS™ III HUGGER

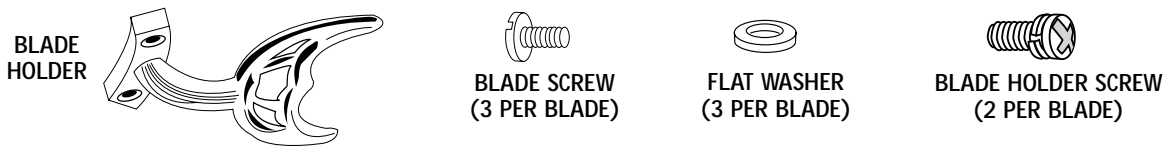


BODY COVER ATTACHMENT

Step 14. Secure the body cover to the mounting plate using the four 4mm x 1/4" screws. Tighten firmly to avoid noise and vibration.



BLADE & BLADE HOLDER HARDWARE

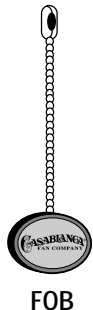
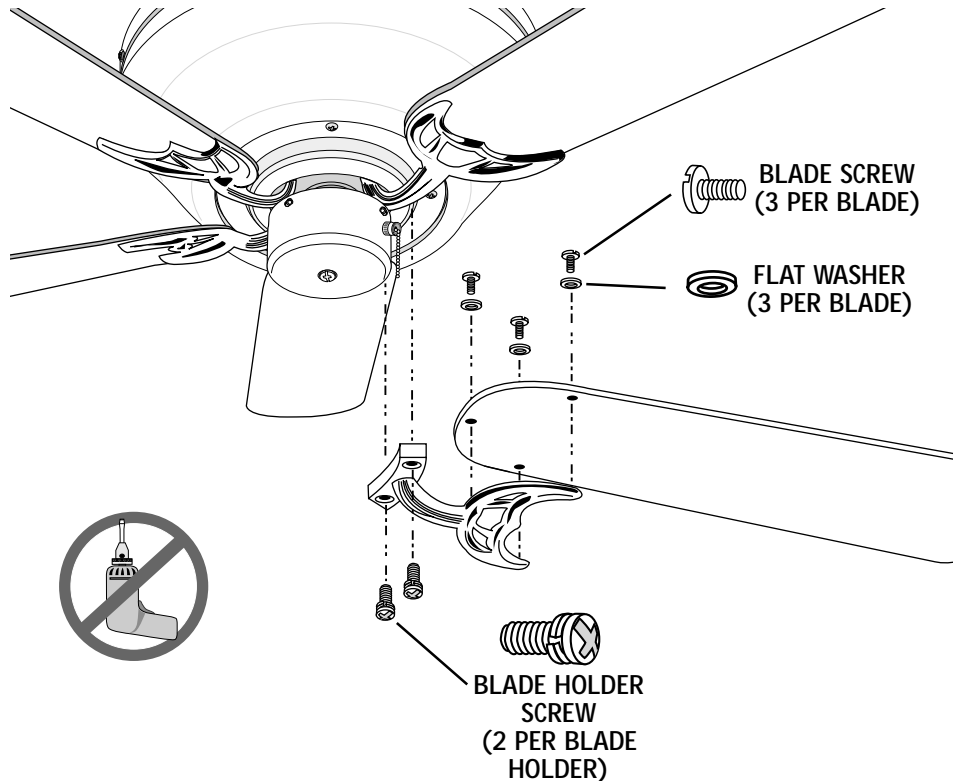


BLADE & BLADE HOLDER INSTALLATION

Step 15. Attach the blades to the blade holders with the three blade screws and flat washers provided for each blade. Hand tighten securely.

Install the assembled blade and blade holder to the fan motor. Hand tighten securely. Repete for each assembly.

Step 16. Attach the pull chain fob.



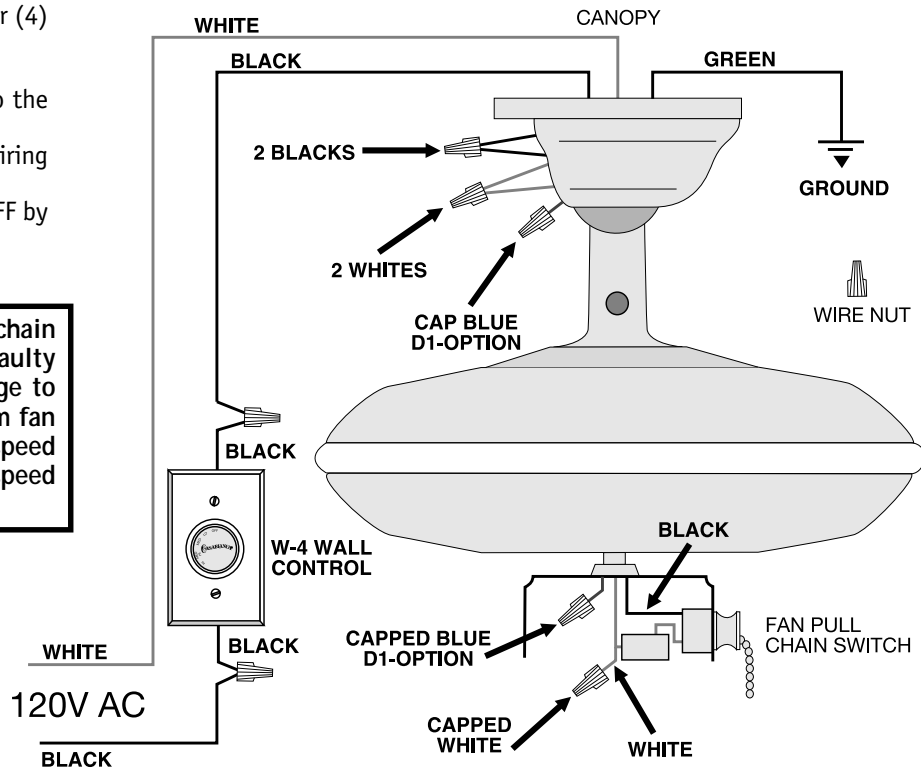


3-SPEED

3-SPEED ♦ W-4 WALL CONTROL OF THE FAN

- The W-4 allows the choice of four (4) different speed settings.
- No light fixture is used.
- Set the FAN pull chain switch to the HIGH speed setting.
- No changes in household or fan wiring are required.
- The fan may be turned ON and OFF by the W-4 wall control.

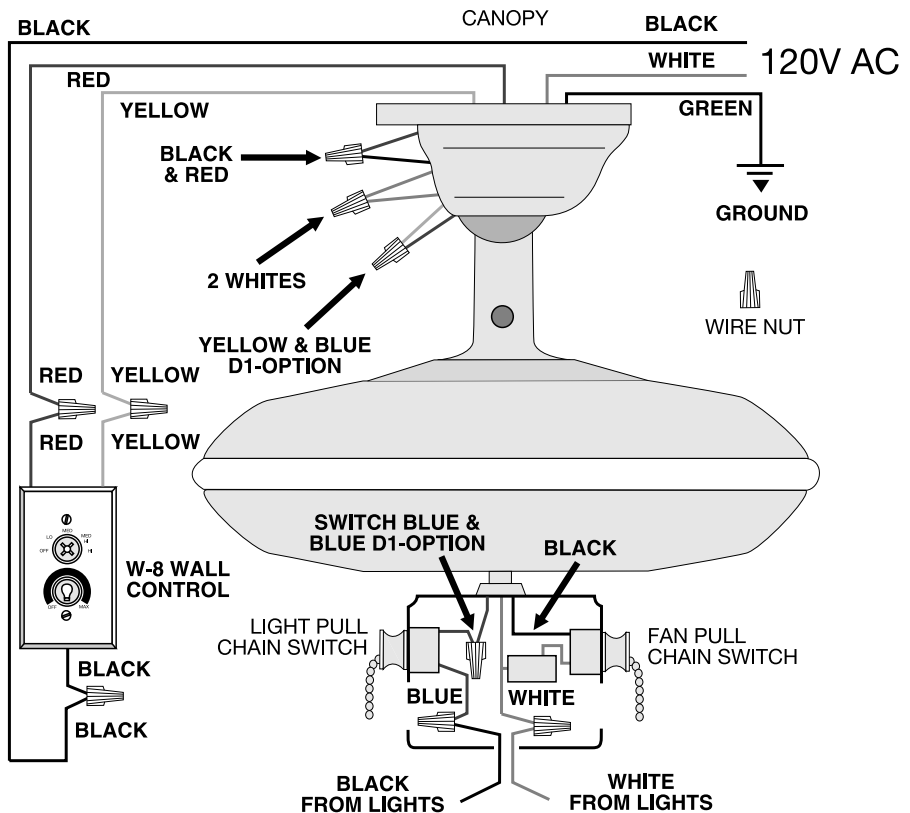
CAUTION! Failure to set the pull-chain speed to HIGH can result in faulty operation of the fan and damage to the W-4 wall control. To confirm fan is set to HIGH: Turn W-4 fan speed switch to 'HI' - set fastest fan speed with pull chain.



3-SPEED ♦ W-8 WALL CONTROL OF THE FAN & LIGHT(S)

- The fan may be turned ON and OFF by the W-8 wall control.
- The lights may be turned ON and OFF by the W-8 and the intensity adjusted from low to high.
- The fan must be supplied with two independent 120V AC supply wires.
- Set the FAN pull chain switch to the HIGH speed setting.
- Turn the lights ON at the fan.
- The W-8 allows the choice of four (4) different speed settings.

CAUTION! Failure to set the pull-chain speed to HIGH can result in faulty operation of the fan and damage to the W-8 wall control. To confirm fan is set to HIGH: Turn W-8 fan speed switch to 'HI' - set fastest fan speed with pull chain.





3-SPEED ♦ OPERATION

Pull-chain switches on the fan control the fan and lights. Using the fan control pull-chain switch: Fan off at start.

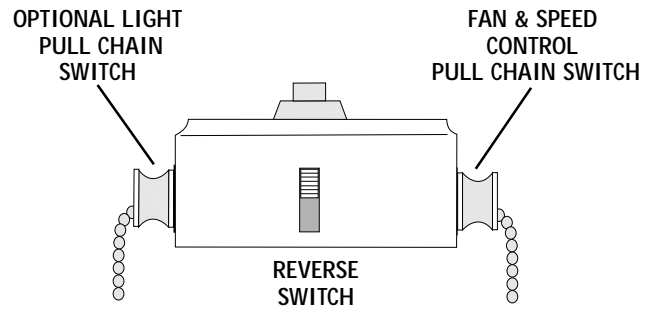
- *First pull:* fan ON, high speed
- *Second pull:* medium speed
- *Third pull:* low speed
- *Fourth pull:* fan OFF

Using the optional light pull-chain switch: Light off at start.

- *First pull:* light ON
- *Second pull:* light OFF

Direction of blade rotation is controlled by the reverse slide switch on the side of the switch housing.

No changes in household wiring are required.



3-SPEED ♦ OPTIONAL WALL CONTROL ♦ W-4

The W-4 wall control provides four-speed control of fan from a convenient wall location. The W-4 is designed to replace a standard wall switch and will fit wall boxes with a depth of 2" or greater. **Not for use with single pull-chain fan/light option wiring.**

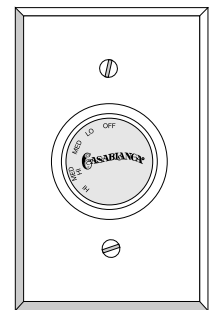
To install a W-4 wall control in place of an existing wall switch, follow the instructions on the W-4 package.

Note: No rewiring is required if the fan is replacing an existing light fixture.

Operation of the fan from the wall switch is simple:

1. Turn knob to obtain desired speed setting.

CAUTION! Failure to set the pull-chain speed to HIGH can result in faulty operation of the fan and damage to the W-4 wall control. To confirm fan is set to HIGH: Turn W-4 fan speed switch to 'HI' - set fastest fan speed with pull chain.



3-SPEED ♦ OPTIONAL WALL CONTROL ♦ W-8

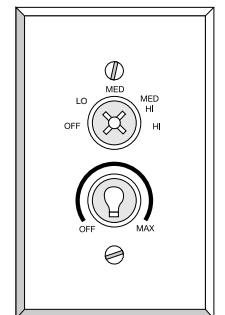
The W-8 wall control provides separate control of fan and light with two separate knobs from a convenient wall location. The W-8 is designed to replace a standard wall switch and wall boxes with a depth of 2" or greater. Requires two hot leads from wall box to ceiling wiring box.

To install a W-8 wall control in place of an existing wall switch, follow the instructions on the W-8 package.

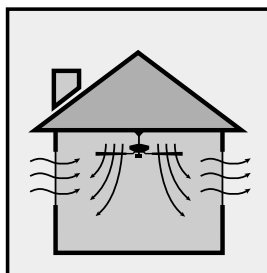
Operation of the fan from the wall switch is simple:

1. Turn the upper knob to the desired fan speed.
2. Turn the lower knob to the desired lighting setting.

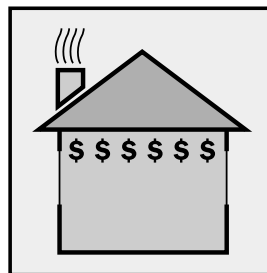
CAUTION! Failure to set the pull-chain speed to HIGH can result in faulty operation of the fan and damage to the W-8 wall control. To confirm fan is set to HIGH: Turn W-8 fan speed switch to 'HI' - set fastest fan speed with pull chain.



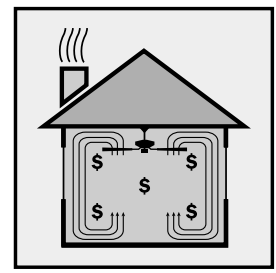
SAVING MONEY WITH YOUR CEILING FAN



IN SUMMER, the movement of air creates a cooling "wind chill" effect. A room can actually feel several degrees cooler, without setting the thermostat lower.



IN WINTER, hot air rises to the ceiling while cool air settles to the floor. Trapped against the ceiling, the warm air is wasted. If you turn up the thermostat, energy costs will rise.



RUNNING IN REVERSE, your Casablanca fan can recirculate warm air near the ceiling down into the living area, providing even heating and comfort (with a pleasant effect on heating bills).



3-SPEED

TROUBLESHOOTING

BEFORE REQUESTING SERVICE:

Please follow this troubleshooting guide before contacting your dealer for assistance.

Caring for Finishes: For cleaning, a soft brush or lint-free cloth should be used to prevent scratching the finish. A vacuum cleaner brush nozzle can remove heavier dust. Surface smudges or an accumulation of dirt and dust can easily be removed by using a mild detergent and slightly dampened soft cloth. An antistatic agent may be used, but *never* use abrasive cleaning agents. These will damage the finish. Painted and high-gloss blades may be cleaned in the same manner.

Blades: Wood finish blades should be cleaned with a furniture polishing cloth. Occasionally, a light coat of furniture polish may be applied for added protection and beauty.

Never Lubricate this Fan!

The precision motor at the heart of your Casablanca fan features sealed bearings that are lubricated for life. Do not attempt to oil the motor.

Changing Light Bulbs

Be sure to turn power to the fan OFF at the wall switch or circuit breaker before changing light bulbs. Replace bulbs with same type as removed from the fixture. Each fan is rated for a maximum **TOTAL** wattage of lighting.

Exceeding the rated maximum allowable wattage for the fan will burn out the fan electronics module and void the warranty.

PROBLEM 3-SPEED POSSIBLE REMEDIES

FAN WILL NOT START

Check main circuit fuses, circuit breakers, or wall switch position.
Check all wire connections, making sure the power is turned off during this inspection.
Check that reverse switch is not set in center of throw.

FAN WOBBLER OR SHAKES EXCESSIVELY

Be sure canopy pin is properly set into the slot on the ball.
Check the screws holding the blade holders to the flywheel (or direct drive motor). Tighten as necessary.
Check that bladeholders have not been bent during installation.

FAN NOISY DURING OPERATION

Check and tighten light fixture retaining screws, glass shade screws and/or the light bulb(s) as necessary.
Tighten the blade to bladeholder screws.
Tighten canopy screws and mounting plate assembly.
Check and tighten blade holders to flywheel (or direct drive motor).
Make sure all screws in the motor housing are snug, but not overly tight.
Check that the wire nuts inside the canopy and switch housing are not touching the metal parts or have fallen off the wire splices. Tighten or adjust as necessary.

BREAK-IN PERIOD

Let fan run at high speed for two (2) hours

DOES NOT RUN ON LOW SPEED

If new, "break-in" may be required - run at higher speed for several days

FAN RUNS SLOWLY IN EITHER DIRECTION IF ROTATION IS STARTED BY HAND; WILL NOT REVERSE: Defective reverse switch; defective capacitor; or open motor winding: Replace reverse switch assembly; replace PCB assembly; or replace motor unit.

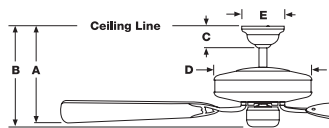
FAN WILL NOT OPERATE AT PROPER SPEEDS OR WILL NOT OPERATE AT ANY SPEED: Defective three-speed pull-chain switch assembly; or defective capacitor: Replace three-speed pull-chain switch assembly; or replace PCB assembly.

For questions or to locate the nearest Casablanca Authorized Service Center call toll free:
1-888-227-2178
or visit us on the web at:
www.CasablancaFanCo.com

PRODUCT SPECIFICATIONS

Model Name: Four Seasons III® Hugger
Model Number: 72UxxD & 82UxxD

Dimensions:
A = 7"
B = 8"
C = N/A
D = 11"
E = 5.6"



Weight: 20 lbs.

Motor: 172mm x 12mm Direct Drive™
Blade Span With: 52"
Blade Pitch: 12°
No. of Blades: 5
Technology: 3-Speed

Airflow: 5,100 cfm
Electricity Use: 85 watts
Airflow Efficiency: 74.3 cfm/watt