

LR6

6" Recessed Downlight

Product Description

The LR6 is a downlight module for new construction and retrofit that installs easily in most standard six inch recessed IC or non-IC housings. The LR6 generates white light with LED's in a new way that enables an unprecedented combination of light output, high efficacy, beautiful color, and affordability. U.S. Patent # 7,213,940 issued. Numerous patents pending.

Performance Summary

- Utilizes Cree TrueWhite™ technology
- Nominal delivered light output = 650 lumens
- Nominal input power = 12 Watts
- CRI 92
- CCT = 2700k or 3500K
- Dimmable to 20%

Ordering Information

- **LR6** 120V, Incandescent Color (2700K), Edison Base
- **LR6-GU24** 120V, Incandescent Color (2700K), GU24 Base
- **LR6C** 120V, Neutral Color (3500K), Edison Base
- **LR6C-GU24** 120V, Neutral Color (3500K), GU24 Base

LR6-GU24



Accessories - Reference accessory product information sheets for more detail

Accessory Trims

- **LT6A** - Diffuse anodized trim
- **LT6AW** - Wheat diffuse anodized trim
- **LT6AP** - Pewter diffuse anodized trim
- **LT6AB** - Black diffuse anodized trim
- **LT6WH** - Smooth white trim
- **LT6AG** - Graphite diffuse anodized trim

Housings

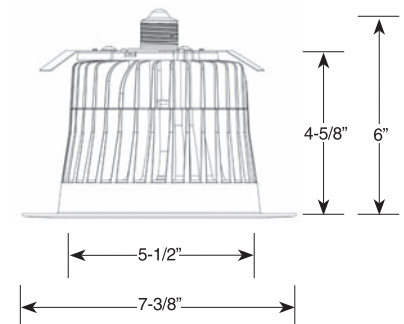
- **RC6** - New construction
12W recessed housing
- **SC6** - Surface mount cylinder
- **RR6** - Retrofit
12W recessed housing



LR6



LR6C



LR6

6" Recessed Downlight

Product Information

Cree TrueWhite™ Technology

- A better way to generate white light that utilizes a patented mixture of unsaturated yellow and saturated red LEDs.
- Tuned to optimal color point before shipment.
- Color management system maintains color consistency over time and temperature.
- Designed to last 50,000 hours and maintain at least 70% of initial lumen output

Construction

- Durable die-cast aluminum upper housing, lower housing, and upper cover
- Integrated thermal management system conducts heat away from LED's and transfers it to the surrounding environment. LED junction temperatures stay below specified maximums even when installed in attic insulation with temperatures exceeding 60 degrees Celsius.

Optical System

- Proprietary optical system utilizes a unique combination of reflective and refractive optical components to achieve a uniform, comfortable appearance. Pixelation and direct view of unshielded LED's is eliminated.
- White Lower Reflector balances brightness of refractor with the ceiling to create comfortable high-angle appearance. Works with refractor to deliver an optimized distribution that illuminates walls and vertical surfaces increasing the perception of spaciousness.

Electrical System

- Integral, high efficiency driver and power supply. Power factor > 0.9 Input voltage = 120V, 60Hz
- Dimmable to 20% with certain incandescent dimmers (reference www.CreeLEDLighting.com for recommended dimmers)

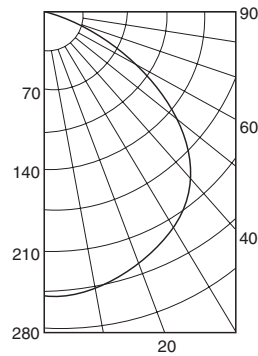
Regulatory and Voluntary Qualifications

- Tested and certified to UL standards. Suitable for damp locations.
- Utilize GU-24 base for new construction projects in California or other areas where high efficacy line voltage sockets are required.
- Exceeds California Title-24 high efficacy luminaire requirements.
- ENERGY STAR® qualified Solid-State Lighting Luminaire.

Photometry

LR6

Lighting Sciences Inc. Certified Test #22226



Intensity (Candlepower) Summary

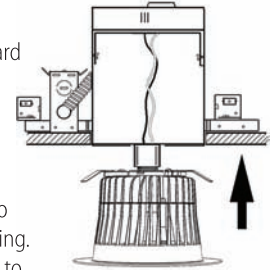
ANGLE	MEAN CP
0°	249
5°	248
15°	242
25°	228
35°	203
45°	165
55°	115
65°	62
75°	24
85°	6
90°	0

Zonal Lumen Summary

ZONE	LUMENS	%LAMP	%FIX
0° - 30°	197	30.39	30.39
0° - 40°	325	49.94	49.94
0° - 60°	556	85.35	85.35
0° - 90°	650	100.00	100.00

Installation

- Designed to easily install in standard 6" downlight housings from Cree and other manufacturers.*
- Quick install system utilizes a unique retention feature. Simply attach socket to LR6. Move light to ready position and slide into housing. Rotate module ¼ turn to the right to lock in place.



* Reference www.CreeLEDLighting.com for a list of compatible housings

Application Comparison

Room

	6' x 6' Spacing		5' x 5' Spacing		4' x 4' Spacing	
	Workplane Illuminance	Wall Illuminance	Workplane Illuminance	Wall Illuminance	Workplane Illuminance	Wall Illuminance
LR6	15.1	8.0	19.9	10.7	27.2	15.4
65W BR30 White Baffle	14.0	6.3	18.7	8.6	26.1	12.6
18W CFL White Baffle	15.5	7.9	20.8	10.6	28.7	15.4
50W PAR30 White Baffle	16.7	4.1	22.9	5.7	34.1	8.6

Notes:

Average initial illuminance in footcandles, reflectances = 80/50/30, workplane height = 2.5', ceiling height = 9', Nine lights per room. Room sizes = 18x18; 15x15; 12x12

Hallway

	6' Spacing		8' Spacing		10' Spacing	
	Workplane Illuminance	Wall Illuminance	Workplane Illuminance	Wall Illuminance	Workplane Illuminance	Wall Illuminance
LR6	12.6	6.8	9.6	5.2	7.6	4.0
65W BR30 White Baffle	12.0	5.3	9.1	4.0	7.2	3.2
18W CFL White Baffle	13.0	6.6	10.1	5.1	7.9	4.0
50W PAR30 White Baffle	14.6	3.1	11.2	2.6	9.1	1.8

Notes:

Average initial illuminance in footcandles, reflectances = 80/50/30, workplane height = 2.5', ceiling height = 9', Six lights per hall, width = 6'



Cree LED Lighting

Morrisville • NC • 27560 • USA

1-919-287-7700

Fax 1-919-991-0730

www.CreeLEDLighting.com

Copyright© 2009 Cree, Inc. All rights reserved. The information in this document is subject to change without notice. The Cree LED Lighting Logo is a trademark of Cree, Inc. Sheet# LR6-6/2009