

INSTALLATION INSTRUCTIONS

WGM/WGL Series

SAFETY PRECAUTION :

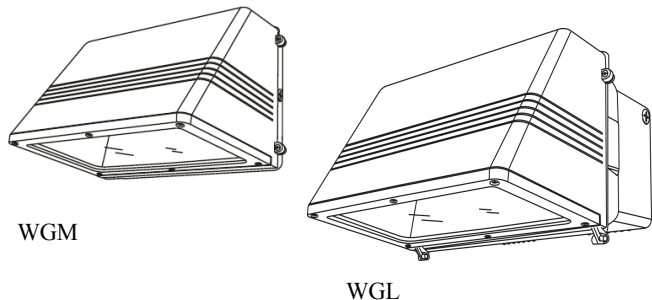
IMPORTANT: READ CAREFULLY BEFORE INSTALLING FIXTURE. RETAIN FOR FUTURE REFERENCE.

THIS PRODUCT CONTAINS CHEMICALS KNOWN TO THE STATE OF CALIFORNIA TO CAUSE CANCER, BIRTH DEFECTS, AND/OR OTHER REPRODUCTIVE HARM. THOROUGHLY WASH HANDS AFTER INSTALLING, HANDLING, CLEANING OR OTHERWISE TOUCHING THIS PRODUCT.

SAFETY: This Product must be installed in accordance with the national electrical code and the applicable installation local codes and ordinances by a person familiar with the construction and operation of the product and the hazards involved. Proper grounding is required to insure personal safety. Carefully observe the correct grounding procedure under installation section.

WARNING: Risk of Fire/Shock. Risk of Electrical Shock. Disconnect Power at fuse or circuit breaker panel or fuse box before installing or servicing. All work should be done by a qualified electrician.

INSTALLATION :



1. Open the lens assembly and then remove the reflector:
2. Prepare the back plate for mounting by drilling or knocking out the appropriate holes. (Fig. 1).
3. Line up the back plate in desired location and mount Securely. (Two gaskets provided for weather-tight seal between template and junction box.)
4. Complete the wiring to the power source and ground.
5. Reassemble the reflector, set socket mounting. Install lamp and mount the lens assembly.

MOUNTING :

The back plate has a cast-in drill and knock-out template to match any standard recessed junction box, three 5/16" knockouts for mounting holes A and three 1/2" NPS tapped holes D for surface conduit, photocontrol.

- A – 5/16" dia. Knockouts
- B – 9/16" dia. Knockouts.
- C – Knockouts for #10 screw.
- D – 1/2" NPS tapped holes.

IMPORTANT:

To weather-proof your outdoor installation, be sure to seal all holes in fixture housing. (mounting, conduit, plugs, photocontrols, etc.) with silicone sealant.

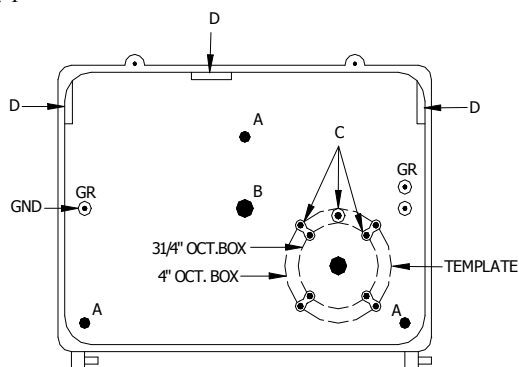
WIRING:

Set Ballast Voltage – See the ballast wiring label and the rating label to locate the power tap to the appropriate voltage tap. If supplied with a single voltage tap, make sure the voltage furnished the fixture is the same as specified on the unit.

CAUTION:

1. Make sure all unused ballast taps are capped to avoid a short circuit to the reflector when the fixture is energized.
2. Ensure ballast ground wire and housing ground wire are connecting to incoming supply ground.

FIG. 1



REPLACING LAMP :

CAUTION - DISCONNECT ELECTRICAL CIRCUIT BEFORE REPLACING LAMP.

1. Release the screws and open the door frame.
2. Replace with the correct lamp.
3. Close the door frame by tightening the screws.

TROUBLE SHOOTING CHECK LIST : If the light does not work.

- | | |
|---|-------------------------------|
| Check your power source. | Check electrical connections. |
| Check to insure proper seating of lamp. | Check if lamp burned out |