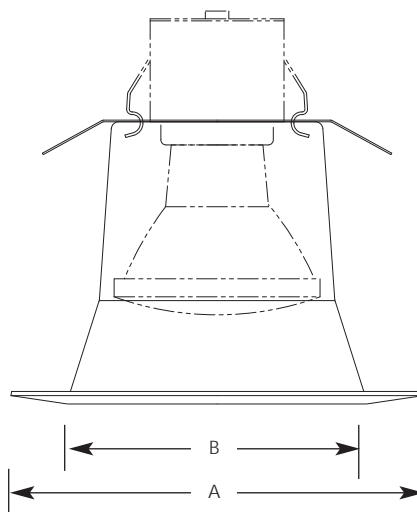


Type \_\_\_\_\_  
-28  
P8041WL

| Catalog No. | Finish<br>White | Dimensions (Inches) |        |
|-------------|-----------------|---------------------|--------|
|             |                 | A                   | B      |
| P8041WL     | -28             | 5                   | 3-9/16 |



| Lamp Wattage* |           |           |
|---------------|-----------|-----------|
| Housing       | IC        | Non-IC    |
| P830-TG       | N/A       | 50w PAR20 |
| P832-TG       | N/A       | 50w PAR20 |
| P831-AT       | 50w PAR20 | 50w PAR20 |
| P831-FB       | 50w PAR20 | 50w PAR20 |

**Specifications:**

Flange

- Bright white powder painted integral metal flange
- No light leaks around trim flange
- Covers irregular ceiling openings

Trim

- All aluminum construction
- Socket mounts to trim for optimum performance and consistent lamp position
- Trim-Lok action forces trim to fit snugly against the ceiling

- Splay design optimally accommodates long neck Par30 lamps
- Adhesive backed, high-temperature acrylic gasket is placed on interior top portion of reflector to prevent the passage of water into socket

Labels

- UL-CUL wet location listed
- Rated IC and Non-IC

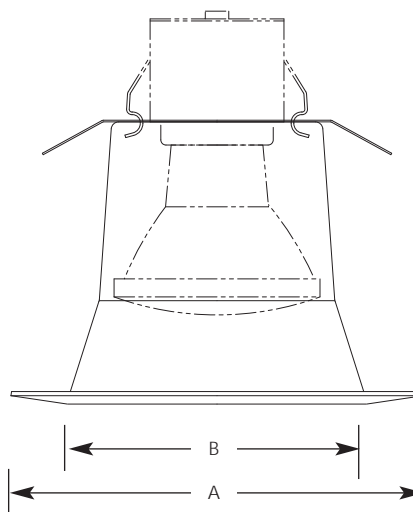
Photometrics

- Refer to PAR20 Lamp Application Data

\*Use only outdoor rated par lamps

Type \_\_\_\_\_  
 -09 -14 -16  
 P8041

| Catalog No. | Finish         |                |       | Dimensions (Inches) |   |
|-------------|----------------|----------------|-------|---------------------|---|
|             | Brushed Nickel | Brushed Copper | White | A                   | B |
| P8041       | -09            | -14            | -28   | 5                   | 4 |



| Lamp Wattage<br>Housing | IC            | Non-IC        |
|-------------------------|---------------|---------------|
|                         | P830-TG       | N/A           |
| P832-TG                 | N/A           | 50w PAR20,R20 |
| P831-AT                 | N/A           | 50w PAR20,R20 |
| P831-FB                 | 50w PAR20,R20 | 50w PAR20,R20 |

**Specifications:**

Flange

- Flange is brushed in same finish
- Integral to trim
- No light leaks around trim flange
- Covers irregular ceiling openings

Trim

- All aluminum construction
- Socket mounts to trim for optimum performance and consistent lamp position
- Trim is shipped with retention for solid mounting in housing
- Splay design optimally accommodates long neck Par20 lamps

Labels

- UL-CUL damp location listed
- Rated IC and Non-IC

Photometrics

- Refer to PAR20/r20 Lamp Application Data