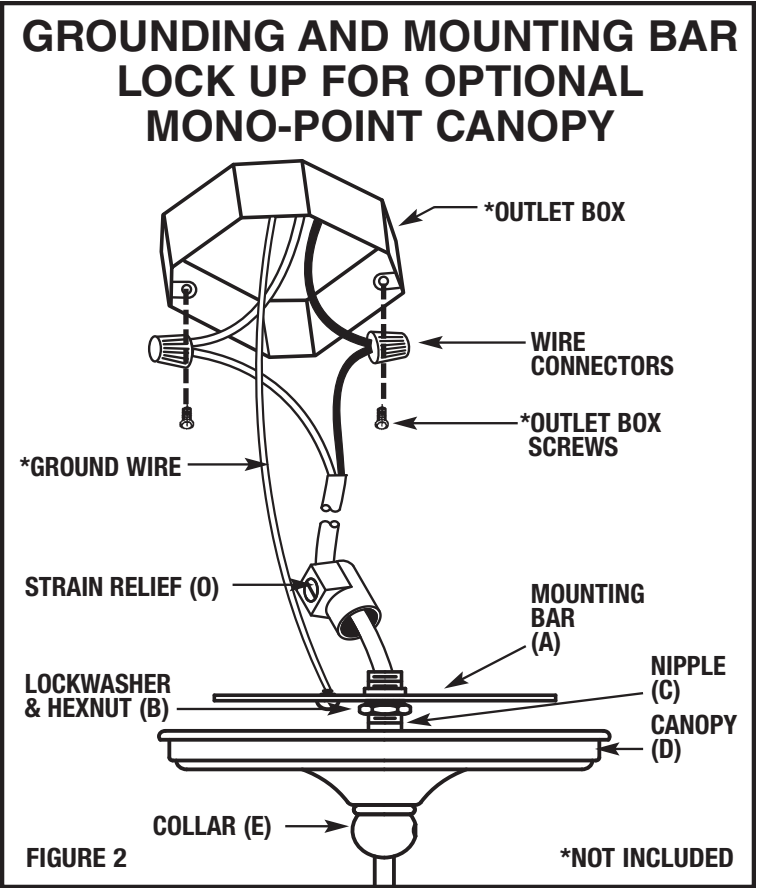
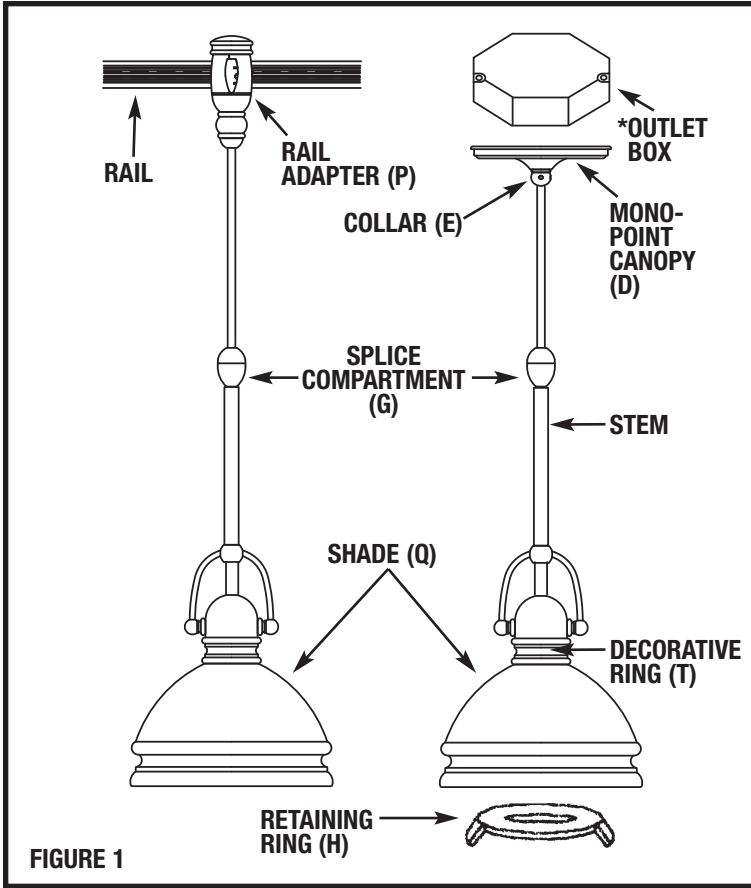


INSTALLATION AND SAFETY INSTRUCTIONS



IMPORTANT SAFETY INSTRUCTIONS

- Be sure the electricity to the system you are working on is turned off; either the fuse removed or the circuit breaker set at off.
- For use with the 120V Transitions track series by Sea Gull Lighting.
- Caution – To reduce the risk of burn during relamping remove from the track before relamping.
- Use of other manufacturers components will void warranty, listing, and create a potential safety hazard.
- If you are unclear as to how to proceed, contact a qualified electrician.
- Minimum distance from the front of the lamp to combustible surfaces is 8".
- Make sure all connections are tight.
- Dimming halogen lamps greatly reduces lamp life.
- To reduce the risk of a burn during relamping, remove from the track before relamping.
- Lamp gets HOT quickly! Contact switch only when turning on.
- Do not touch hot lens, guard, or enclosure.
- Do not touch the lamp at any time. Use a soft cloth. Oil from skin may damage lamp.
- Do not operate the luminaire fitting with a missing or damaged shield.
- Save these instructions.

NOTE: This pendant can be hung either from a Transitions Series rail (not supplied) or from the supplied canopy. Follow the instructions for the appropriate mounting method.



AMBIANCE[®]
LIGHTING SYSTEMS

LR-106

062308

www.SeaGullLighting.com

ASSEMBLING PENDANT/SHORTENING PENDANT LR-106

1. Determine length of pendant and shorten cable from above the splice compartment (G). Be sure to add 5" for electrical connections when installing as a mono-point. Unthread top of splice compartment (G).
2. Loosen set screws on strain relief collar. Remove strain relief collar and top of splice compartment (G). Strip end of rail adapter cord to make new splice connections (about 1 1/2"). Take the new end of the cord and set top half of splice compartment (G) on it. Strip end of individual wires. Thread strain relief collar onto adapter cord so 1/4" of cable jacket is protruding out of strain relief collar. Tighten set screws on strain relief collar to secure.
3. Make connections between socket leads and pendant cable using wire nuts inside the splice compartment (G). – Black to Black/White to White/Ground to Ground. Make sure no wires are left exposed and carefully tuck the wire nuts into the bottom of the splice compartment (G).
4. Close splice compartment (G) by threading the two halves together.
5. Place decorative ring (T) and shade (Q) over socket and secure in place by threading retaining ring (H) onto socket.
6. Install lamp. Thread supplied lamp enclosure over lamp.

MONO-POINT INSTALLATION (Fig. 2)

1. Remove rail adapter (P) by cutting wire just below rail adapter (P). Carefully strip wire to make wiring connections.
2. Slide collar (E), threaded nipple (C), canopy (D), hex nut (B), lock washer (B), and mounting bar (A) over cable.
3. Install strain relief (O). Tighten strain relief set screw with a flat head screw driver.
4. Attach mounting bar (A) to outlet box using outlet box screws (not supplied).
5. Make electrical connections using wire nuts or other UL listed device:
 - a. House Black to Fixture Black
 - b. House White to Fixture WhiteWrap house ground wire and fixture ground wire around the green grounding screw located on the mounting bar (A) and secure by tightening the green grounding screw. Make sure no wires are left exposed and carefully tuck wires into outlet box.
6. Raise canopy (D) to ceiling and secure by threading collar (E) to nipple (C).

INSTALLATION TO RAIL (Fig. 3)

1. Unthread cap (J) from rail adapter (P).
2. Making sure contacts (M) will align with conductors (N) on rail, set the bottom of the rail adapter (P) to the bottom of the rail and "roll" rail adapter (P) up onto rail.
3. Install fixture to rail by closing hinged door of rail adapter (P) over rail and threading cap (J) tightly onto rail adapter (P).

