

# IMPORTANT INSTRUCTIONS - OPERATING MANUAL

Models: AK100D



Exhaust Fan

## READ AND SAVE THESE INSTRUCTIONS

READ CAREFULLY BEFORE ATTEMPTING TO ASSEMBLE, INSTALL, OPERATE OR MAINTAIN THE PRODUCT DESCRIBED. PROTECT YOURSELF AND OTHERS BY OBSERVING ALL SAFETY INFORMATION. FAILURE TO COMPLY WITH INSTRUCTIONS COULD RESULT IN PERSONAL INJURY AND/OR PROPERTY DAMAGE!

RETAIN INSTRUCTIONS FOR FUTURE REFERENCE.

## GENERAL SAFETY INFORMATION

When using electrical appliances, basic precautions should always be followed to reduce the risk of fire, electric shock and injury to person, including the following:

**WARNING: TO REDUCE THE RISK OF FIRE, ELECTRIC SHOCK AND INJURY TO PERSON, OBSERVE THE FOLLOWING:**

- a) Use this unit only in the manner intended by the manufacturer. If you have questions, contact the manufacturer.
- b) Before servicing or cleaning the unit, switch power off at service panel and lock the service disconnecting means to prevent power from being switched on accidentally. When the service disconnecting means cannot be locked, securely fasten a prominent warning device, such as a tag, to the service panel.

**WARNING: TO REDUCE THE RISK OF FIRE, ELECTRIC SHOCK AND INJURY TO PERSON, OBSERVE THE FOLLOWING:**

- a) Installation work and electrical wiring must be done by qualified person(s) in accordance with all applicable codes and standards, including fire-related construction.
- b) Sufficient air is needed for proper combustion and exhausting of gases through the flue (chimney) of fuel burning equipment to prevent back drafting. Follow the heating equipment manufacturer's guideline and safety standards such as those published by the National Fire Protection Association (NFPA) and the American Society for Heating, Refrigeration, and Air Conditioning Engineers (ASHRAE), and the local code authorities.
- c) When cutting or drilling into wall or ceiling, do not damage electrical wiring and other hidden utilities.

**CAUTION: FOR GENERAL VENTILATING USE ONLY. DO NOT USE TO EXHAUST HAZARDOUS OR EXPLOSIVE MATERIALS AND VAPORS.**

- d) Ducted fans must always be vented to the outdoors.
- e) This unit must be grounded.
- f) To avoid motor bearing damage and noisy and/or unbalanced impellers, keep drywall spray, construction dust, etc. off power unit.
- g) Read all instructions before installing or using exhaust fan.

**WARNING: TO REDUCE THE RISK OF FIRE, ELECTRIC SHOCK, DO NOT USE THIS FAN WITH ANY SOLID-STATE SPEED CONTROL DEVICE.**

- a) Acceptable for use over a bathtub or shower when installed in a GFCI protected branch circuit.
- b) NEVER place a switch where it can be reached from a tub or shower.

**WARNING: DO NOT USE IN KITCHENS.**

## SAVE THESE INSTRUCTIONS

# INSTALLATION INSTRUCTIONS

**CAUTION:** MAKE SURE POWER IS SWITCHED OFF AT SERVICE PANEL BEFORE STARTING INSTALLATION.

## SECTION 1

### Preparing the Exhaust Fan

1. Unpack fan from the carton and confirm that all pieces are present. In addition to the exhaust fan you should have:
  - 1 - Grill
  - 1 - Damper Assembly (attached)
  - 4 - Mounting Rails
  - 1 - Instruction/Safety Sheet

2. Choose the location for your fan. To ensure the best air and sound performance, it is recommended that the length of ducting and the number of elbows be kept to a minimum, and that insulated hard ducting be used. Larger duct sizes will reduce noise and airflow restrictions. This fan will require at least 8" of clearance in the ceiling or wall, and will mount through drywall up to 3/4" thick. The fan mounts between 16" or 24" on center joists using the 4 provided mounting rails.

3. Select the most convenient electrical knockout and remove using a straight-blade screw driver (Figure 1).

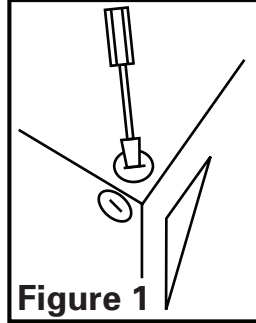


Figure 1

## SECTION 2

### New Construction

1. Install the rails on the housing and position the housing next to the joist. Line up housing so that it will be flush with the finished ceiling. Secure the ends of the rails with screws or nails (not included) to the joists and slide the housing into the final position (Figure 2).

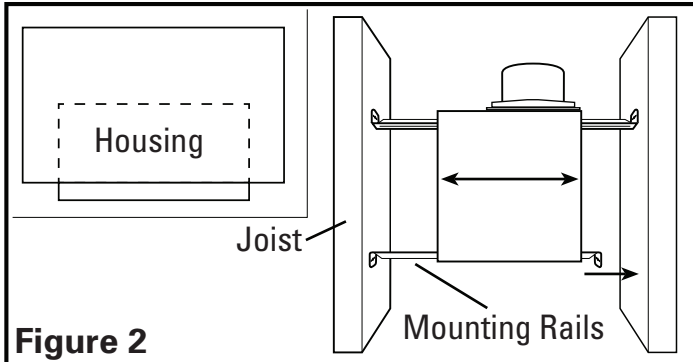


Figure 2

## SECTION 3

### Existing Construction

1. Set housing in position between the joist and trace an outline onto the ceiling material (Figure 3). Set housing aside and cut opening, being careful not to cut or damage any electrical or other hidden utilities. Install the rails on the housing and position the housing in the previously cut hole so that it is flush with the finished ceiling. Secure the ends of the rails to the joists (Figure 3).

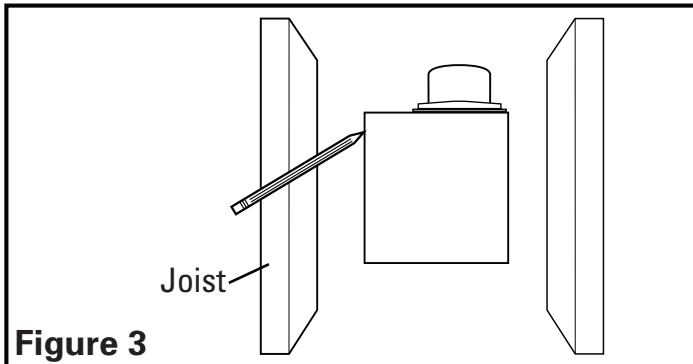


Figure 3

## SECTION 4

### Ducting

**CAUTION:** ALL DUCTING MUST COMPLY WITH LOCAL AND NATIONAL BUILDING CODES.

1. Connect the ducting to the fan's duct collar (Figure 4). Secure in place using tape or screw clamp. Always duct the fan to the outside through a wall or roof cap.

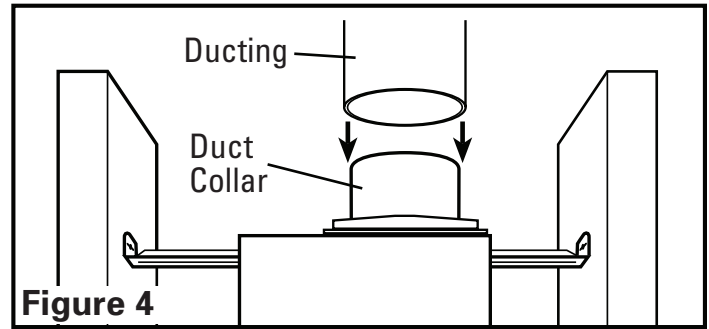


Figure 4

## SECTION 5

### Wiring

**CAUTION:** MAKE SURE POWER IS SWITCHED OFF AT SERVICE PANEL BEFORE STARTING INSTALLATION.

**CAUTION:** ALL ELECTRICAL CONNECTIONS MUST BE MADE IN ACCORDANCE WITH LOCAL CODES, ORDINANCES, OR NATIONAL ELECTRICAL CODE. IF YOU ARE UNFAMILIAR WITH METHODS OF INSTALLING ELECTRICAL WIRING, SECURE THE SERVICES OF A QUALIFIED ELECTRICIAN.

**NOTE:** This unit includes a side access panel for wiring that does not require the removal of the fan's blower assembly. If you choose to wire the unit from the inside, you will need to remove the blower assembly and internal wiring compartment. Both methods are equally effective.

- 1a. **External Wire Compartment:** Remove the wire compartment cover screw and place cover in a secure place (Figure 5).

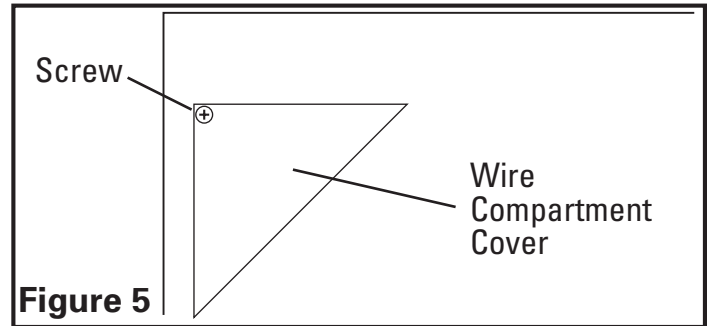


Figure 5

- 1b. **Internal Wire Compartment:** Remove the screw holding the venturi in place. Lift the venturi up and at an angle to slide it out of the housing (Figure 6). Remove the wire compartment cover screw and place the cover in a secure place (Figure 7).

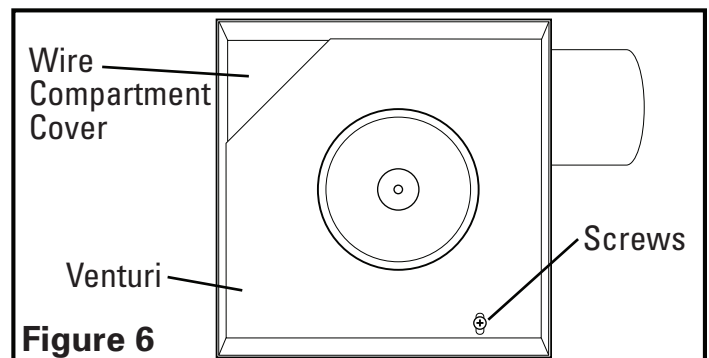
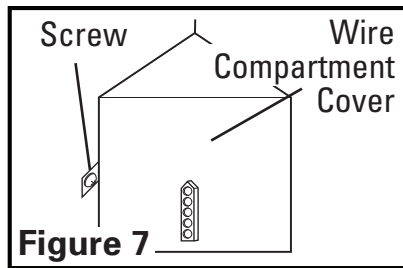
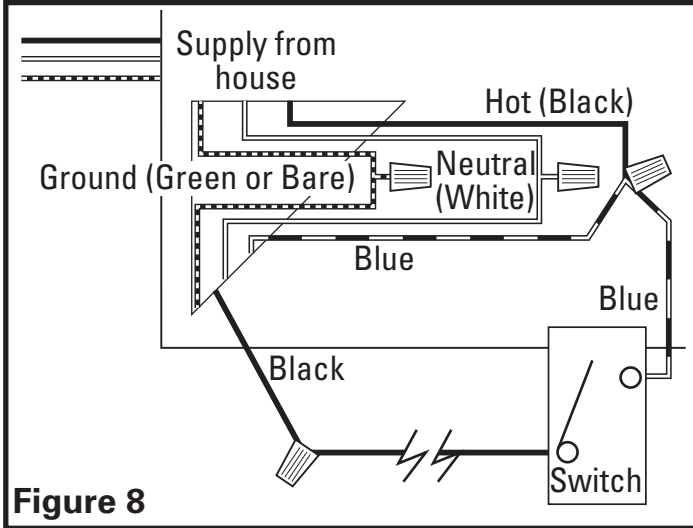


Figure 6

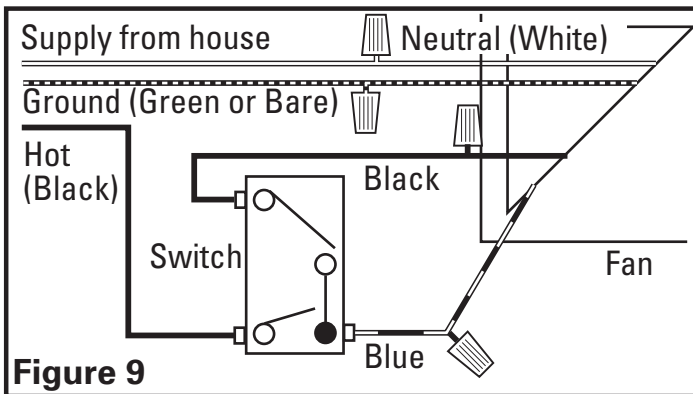
**NOTE:** If the fan motor plug is connected to the fan housing receptacle, unplug the blower assembly can be completely removed.



2. **Continuous Ventilation:** For two speed fans wired for continuous ventilation, connect the White wire of the fan to the White (Neutral) wire from the power source. Connect the ground wire from the house to the green wire from the fan housing. Run 2 wires from a properly grounded wall switch (not included) to the fan. Connect the Blue wire of the fan and one wire from the wall switch to the Black wire (Hot) from the power source. Connect the other wire from the wall switch to the Black wire of the fan. Closing the switch will change from normal to high speed (Figure 8).



3. **Intermittent Ventilation:** For two speed fans wired for intermittent ventilation with the recommended AKS2 Switch (not included). Connect the White wire of the fan to the White (Neutral) wire from the power source. Connect the ground wire from the fan to the ground wire from the power source. Properly ground the switches. Run a wire from the Blue wire in the fan to the Common terminal (Black Screw) of the AKS2 Switch. Connect the Black wire from the power source to the silver terminal on the bottom of the AKS2 Switch. Connect the Black wire from the fan to the silver terminal on the top of the AKS2 Switch. The Bottom switch will turn the fan on & off, the top switch will change between high and low (Figure 9).



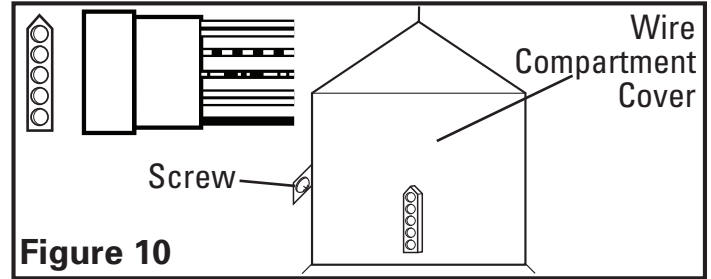
**NOTE:** Unit must be grounded according to all local and national codes.

4. Reinstall both the wire compartment cover and the fan's venturi by reversing the instructions in Step 1b of Section 5 Wiring. Make sure all wires are contained within the wire compartment.

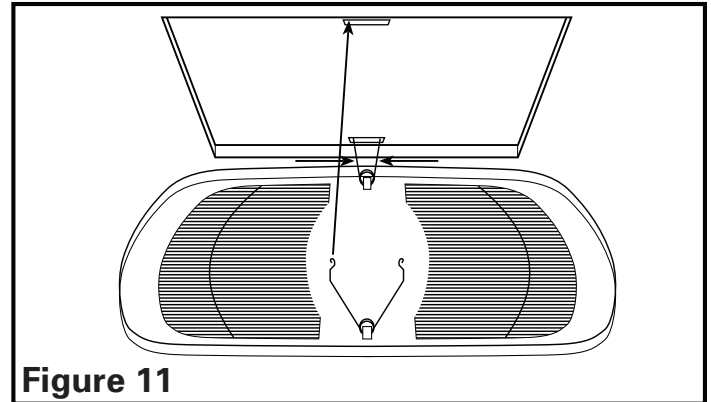
## SECTION 6

### Completing the Installation

1. Plug the fan's quick connect motor cord into the receptacle located on the wire compartment cover. The cord will only fit one way into the receptacle (Figure 10).



2. Install the grill by squeezing the two ends of the springs together and installing them up into the slots on the fan's housing. Push the grill up into position (Figure 11).



3. Restore power and test your installation.

## SECTION 7

### Use and Care

**CAUTION: MAKE SURE POWER IS SWITCHED OFF AT SERVICE PANEL BEFORE STARTING INSTALLATION.**

1. **Cleaning the Grill:** Remove grill and use a mild detergent, such as dishwashing liquid, and dry with a soft cloth. NEVER USE ANY ABRASIVE PADS OR SCOURING POWDERS. Completely dry grill before reinstalling. Refer to instructions in Section 6 *Finishing the Installation*, to reinstall grill.
2. **Cleaning the Fan Assembly:** Wipe all parts with a dry cloth or gently vacuum the fan. NEVER IMMERSE ELECTRICAL PARTS IN WATER.

# Troubleshooting Guide

Trouble	Probable Cause	Suggested Remedy
1. Fan does not operate when the switch is on.	1a. A fuse may be blown or a circuit tripped. 1b. Connector plug from motor is not plugged in.  1c. Wiring is not connected properly. 1d. Motor has stopped operating.	1a. Replace fuse or reset circuit breaker. 1b. Turn off power to unit. Remove Grill and plug motor into receptacle in housing. Restore power to unit. 1c. Turn off power to unit. Check that all wires are connected. 1d. Replace motor.
2. Fan is operating, but air moves slower than normal.	2. Obstruction in the exhaust ducting.	2. Check for any obstructions in the ducting. The most common are bird nests in the roof cap or wall cap where the fan exhausts to the outside.
3. Fan is operating louder than normal.	3a. Motor is loose.  3b. Fan blade is hitting housing of unit.	3a. Turn off power to unit. Remove grill and check that all screws are fully tightened. Restore power to unit. 3b. Call your dealer for service.

## LIMITED WARRANTY

**WHAT THIS WARRANTY COVERS:** This product is warranted against defects in workmanship and/or materials.

**HOW LONG THIS WARRANTY LASTS:** This warranty extends only to the original purchaser of the product and lasts for one (1) year from the date of original purchase or until the original purchaser of the product sells or transfers the product, whichever first occurs.

**WHAT AIR KING WILL DO:** During the warranty period, Air King will, at its sole option, repair or replace any part or parts that prove to be defective or replace the whole product with the same or comparable model.

**WHAT THIS WARRANTY DOES NOT COVER:** This warranty does not apply if the product was damaged or failed because of accident, improper handling or operation, shipping damage, abuse, misuse, unauthorized repairs made or attempted. This warranty does not cover shipping costs for the return of products to Air King for repair or replacement. Air King will pay return shipping charges from Air King following warranty repairs or replacement.

**ANY AND ALL WARRANTIES, EXPRESSED OR IMPLIED (INCLUDING, WITHOUT LIMITATION, ANY IMPLIED WARRANTY OF MERCHANTABILITY), LAST ONE YEAR FROM THE DATE OF ORIGINAL PURCHASE OR UNTIL THE ORIGINAL PURCHASER OF THE PRODUCT SELLS OR TRANSFERS THE PRODUCT, WHICHEVER FIRST OCCURS AND IN NO EVENT SHALL AIR KING'S LIABILITY UNDER ANY EXPRESS OR IMPLIED WARRANTY INCLUDE (I) INCIDENTAL OR CONSEQUENTIAL DAMAGES FROM ANY CAUSE WHATSOEVER, OR (II) REPLACEMENT OR REPAIR OF ANY HOUSE FUSES, CIRCUIT BREAKERS OR RECEPTACLES. NOTWITHSTANDING ANYTHING TO THE CONTRARY, IN NO EVENT SHALL AIR KING'S LIABILITY UNDER ANY EXPRESS OR IMPLIED WARRANTY EXCEED THE PURCHASE PRICE OF THE PRODUCT AND ANY SUCH LIABILITY SHALL TERMINATE UPON THE EXPIRATION OF THE WARRANTY PERIOD.**

Some states and provinces do not allow limitations on how long an implied warranty lasts, or the exclusion or limitation of incidental or consequential damages, so these exclusions or limitations may not apply to you. This warranty gives you specific legal rights. You may also have other rights which vary from state to state and province to province. Proof of purchase is required before a warranty claim will be accepted.

## CUSTOMER SERVICE:

**Toll-Free (800) 465-7300**

Our Customer Service team is available to assist you with product questions, service center locations, and replacement parts. They can be reached Monday through Friday, 8am-4pm Eastern. Please have your model number available, as well as the type and style (located on the label inside of your product).

Please do not return product to place of purchase.

[www.airkinglimited.com](http://www.airkinglimited.com)

**PARTS FOR DISCONTINUED, OBSOLETE AND CERTAIN OTHER PRODUCTS MAY NOT BE AVAILABLE. DUE TO SAFETY REASONS, MANY ELECTRONIC COMPONENTS AND MOST HEATER COMPONENTS ARE NOT AVAILABLE TO CONSUMERS FOR INSTALLATION OR REPLACEMENT.**

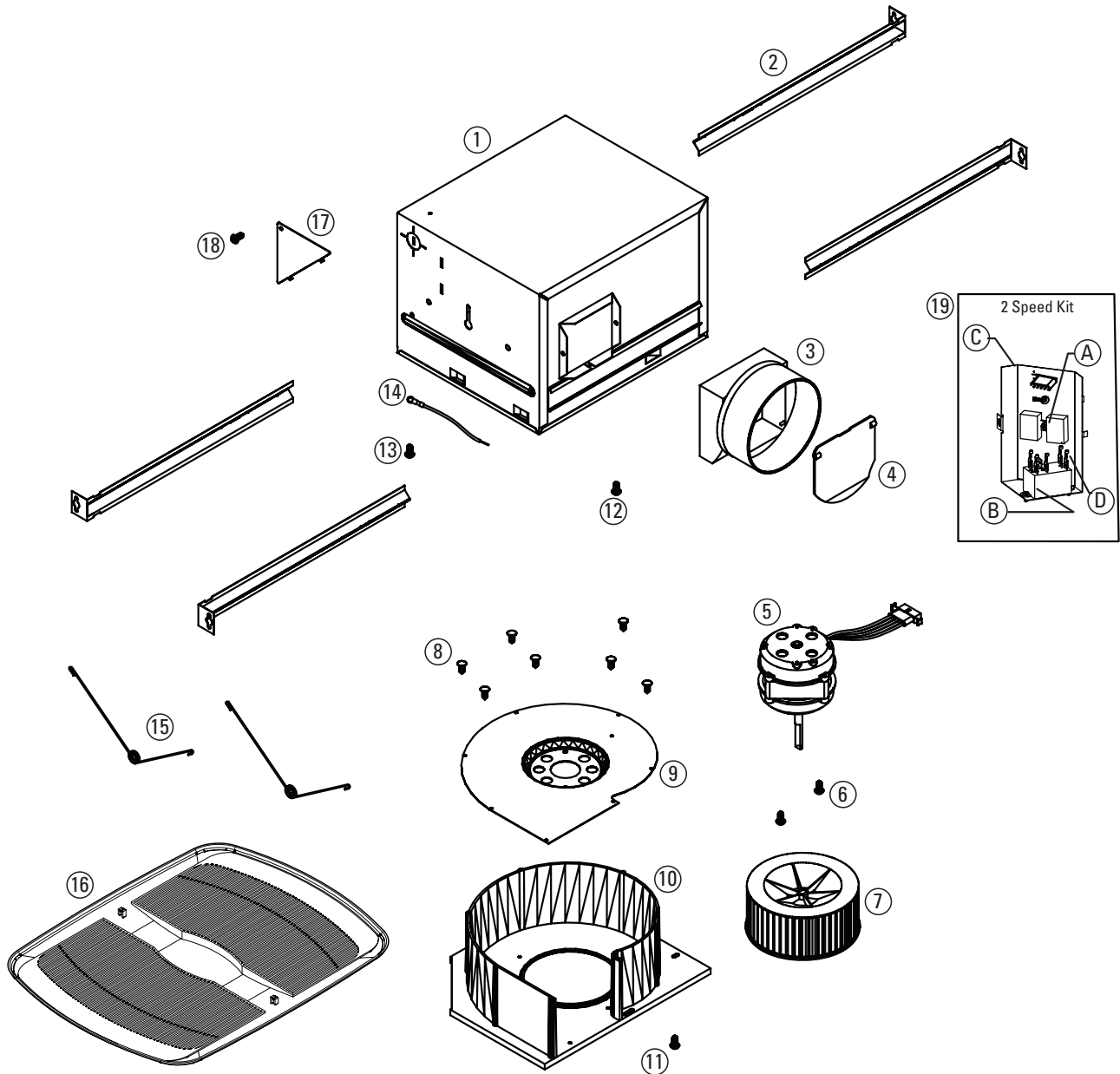
Installer: \_\_\_\_\_

Installation Date: \_\_\_\_\_

Place of Purchase: \_\_\_\_\_

Model Number: \_\_\_\_\_

# REPLACEMENT PARTS DIAGRAM



#	Qty.	Description	Replacement Part #
1	1	Fan Housing	5S1202001
2	4	Mounting Rails	5S1299002
3	1	Collar	5S1299003
4	1	Damper	5S1299004
5	1	Motor	5S2202001
6	2	Screw	5S2202002
7	1	Blower Wheel	5S2202003
8	7	Blower Screws	5S2202004
9	1	Motor Plate	5S2202005
10	1	Venturi	5S2202006
11	1	Screw	5S1999009
12	1	Screw	5S1999010

#	Qty.	Description	Replacement Part #
13	1	#10 Ground Screw	5S1999002
14	1	14 ga Ground Wire	5S1999003
15	2	Grill Springs	5S1202006
16	1	Grill	5S1202005
17	1	External Wire Cover	5S1202007
18	1	Screw	5S1999010
19	1	2 Speed Kit	5S2202110
19A	1	2 Speed Capacitor	5S2202112
19B	1	Relay	5S1239008
19C	1	Jumper Wire	5S2202112
19D	1	Wire Cover	5S2202113

# NOTES

# INSTRUCTIONS IMPORTANTES – MANUEL D'OPÉRATION

Modèle: AK100D



Ventilateur

## LIRE ET CONSERVER CES INSTRUCTIONS

LIRE SOIGNEUSEMENT AVANT DE TENTER D'ASSEMBLER, INSTALLER, OPÉRER OU DE RÉPARER LE PRODUIT DÉCRIT. PROTÉGEZ VOUS-MÊME ET LES AUTRES EN OBSERVANT TOUTE L'INFORMATION DE SÉCURITÉ. FAILLIR À SE CONFORMER AUX INSTRUCTIONS PEUT RÉSULTER EN BLESSURE PERSONNELLE GRAVE ET/OU EN DOMMAGE À LA PROPRIÉTÉ.

**CONSERVER CES INSTRUCTIONS POUR RÉFÉRENCES FUTURES.**

## INSTRUCTIONS GÉNÉRALES DE SÉCURITÉ

Lors de l'utilisation d'appareils électriques, des précautions de base doivent toujours être suivies pour réduire les risques d'incendie, de choc électrique et de blessures corporelles, incluant ce qui suit:

**AVERTISSEMENT : POUR RÉDUIRE LES RISQUES D'INCENDIE, DE CHOC ÉLECTRIQUE OU DE BLESSURES PERSONNELLES OBSERVER CE QUI SUIT:**

- a) Utiliser cette unité seulement de la manière pour laquelle le fabricant l'a conçu. Si vous aviez des questions, veuillez contacter le fabricant.
- b) Avant d'effectuer un service ou de nettoyer l'unité, couper l'alimentation électrique dans le panneau de distribution et verrouiller le dispositif de déconnexion afin d'éviter que l'alimentation ne revienne accidentellement. Lorsque le dispositif ne peut être verrouillé, fixer solidement un avis d'avertissement, tel qu'une étiquette, au panneau de distribution.

**AVERTISSEMENT : POUR RÉDUIRE LES RISQUES D'INCENDIE, DE CHOC ÉLECTRIQUE OU DE BLESSURES PERSONNELLES OBSERVER CE QUI SUIT:**

- a) Le travail d'installation et le câblage électrique doivent être effectués par une(des) personne(s) qualifiée(s) en conformité avec tous les codes et normes applicables, incluant la construction relative aux incendies.
- b) De l'air en quantité suffisante est requis pour la bonne combustion et l'évacuation de gaz par le conduit (cheminée) provenant d'équipement de brûlage au combustible pour prévenir un refoulement. Suivre les directives du fabricant de l'équipement de chauffage et les normes de sécurité telles que celles publiées par la National Fire Protection Association (NFPA) et de la American Society for Heating, Refrigeration, and Air Conditioning Engineers (ASHRAE), et de celles des autorités locales du code.
- c) Lors de coupe ou de perçage des murs et plafonds, ne pas endommager le filage électrique et autres utilités cachées.

**AVERTISSEMENT : POUR USAGE DE VENTILATION GÉNÉRALE EXCLUSIVEMENT. NE PAS UTILISER POUR ÉVACUER DU MATÉRIEL ET DES VAPEURS DANGEREUSES OU EXPLOSIVES.**

- d) Les ventilateurs avec conduits doivent toujours être évacués vers l'extérieur
- e) Cette unité doit être mise à la terre
- f) Pour éviter des dommages aux roulements des moteurs et/ou des hélices bruyantes ou déséquilibrées, empêcher la poussière de cloison sèche, poussière de construction, etc., d'atteindre l'unité de puissance.
- g) Lire toutes les instructions avant d'installer ou d'utiliser la hotte de cuisine.

**AVERTISSEMENT : POUR RÉDUIRE LES RISQUES D'INCENDIE OU DE CHOC ÉLECTRIQUE, NE PAS UTILISER CE VENTILATEUR AVEC UN RÉGULATEUR DE VITESSE ÉLECTRONIQUE.**

- a) Acceptable pour utilisation au-dessus d'une baignoire ou d'une douche lorsque installé dans un circuit protégé par un disjoncteur de fuite de terre.
- b) NE JAMAIS placer un interrupteur à un endroit qui puisse être atteint de la baignoire ou de la douche.

**AVERTISSEMENT : NE PAS UTILISER DANS LES CUISINES**

## CONSERVER CES INSTRUCTIONS

# INSTRUCTIONS D'INSTALLATION

**AVERTISSEMENT : VOUS ASSURER QUE L'ALIMENTATION EST COUPÉE AU PANNEAU DE SERVICE AVANT DE COMMENCER L'INSTALLATION.**

## SECTION 1

### Préparation du Ventilateur d'évacuation

- Sortir le ventilateur de sa boîte et confirmer que toutes les pièces sont présentes. En plus du ventilateur d'évacuation vous devriez avoir:
  - 1 - Grille
  - 1 - Ensemble de clapet (attaché)
  - 4 - Traverses de Montage
  - 1 - Feuillet d'instructions / sécurité
- Choisir un emplacement pour votre ventilateur. Pour assurer la meilleure performance du débit d'air et sonore, il est recommandé que la longueur des conduits et que le nombre de coudes soient gardés au minimum et que des conduits rigides isolés soient utilisés. Ce ventilateur nécessitera au moins 20,3cm (8po) de dégagement dans le plafond ou le mur, et s'installe au travers de cloison sèche d'une épaisseur de jusqu'à 1,9cm (3/4po). Le ventilateur s'installe entre 40,6cm ou 61cm (16po ou 24po) au centre des solives à l'aide des quatre (4).
- Sélectionner l'alvéole défonçable la mieux appropriée et l'enlever à l'aide d'un tournevis à lame plate (Figure 1).

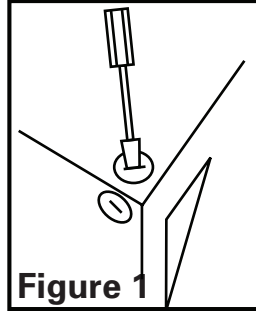


Figure 1

## SECTION 2

### Nouvelle Construction

- Installer les traverses sur le châssis et positionner le châssis près de la solive. Aligner le châssis pour qu'il soit à effleurement avec le plafond fini. Fixer les extrémités des traverses avec des clous ou des vis (non-comprises) aux solives et glisser le châssis à sa position finale (Figure 2).

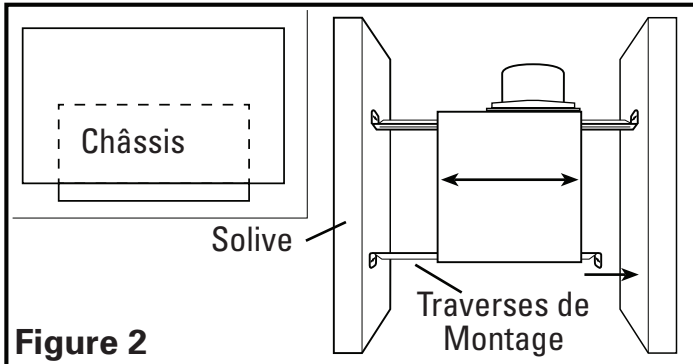


Figure 2

## SECTION 3

### Construction Existante

- Placer le châssis en position entre les solives et tracer un contour sur le matériau du plafond (Figure 3). Mettre le châssis de côté et découper l'ouverture, en prenant soin de ne pas couper ou endommager des câbles électriques dissimulés ou autres utilités. Installer les traverses sur le châssis et positionner le châssis dans le trou percé précédemment afin qu'il soit à effleurement avec le plafond fini. Fixer les extrémités des traverses aux solives (Figure 2).

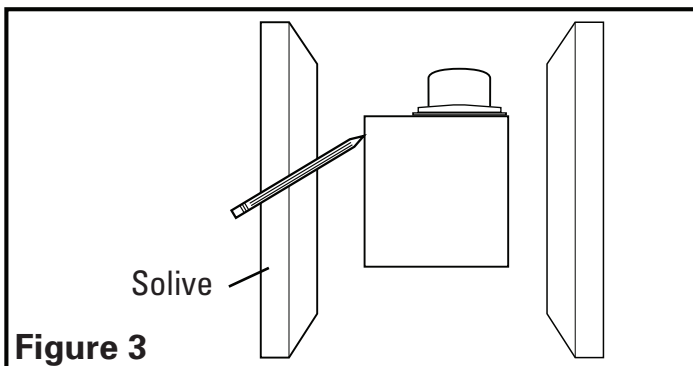


Figure 3

## SECTION 4

### Conduits

**AVERTISSEMENT : TOUS LES CONDUITS DOIVENT ÊTRE CONFORMES AUX CODES DU BÂTIMENT LOCAUX ET NATIONAUX.**

- Raccorder le conduit au collet de conduit du ventilateur (Figure 4). Fixer en place à l'aide de ruban ou de serre-joint. Toujours évacuer le ventilateur vers l'extérieur au travers de chapeau mural ou de toit.

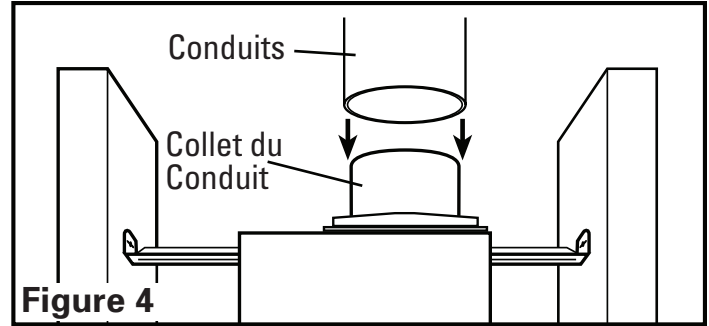


Figure 4

## SECTION 5

### Câblage

**AVERTISSEMENT : VOUS ASSURER QUE L'ALIMENTATION EST COUPÉE AU PANNEAU DE SERVICE AVANT DE COMMENCER L'INSTALLATION.**

**AVERTISSEMENT : TOUTES LES CONNEXIONS DOIVENT ÊTRE FAITES EN CONFORMITÉ AVEC LES CODES ÉLECTRIQUES LOCAUX OU NATIONAUX. SI VOUS N'ÊTES PAS FAMILIER AVEC LES MÉTHODES D'INSTALLATION DE CÂBLAGE ÉLECTRIQUE, RECOURREZ AUX SERVICES D'UN ÉLECTRICIEN QUALIFIÉ.**

**REMARQUE :** cette unité possède un panneau d'accès latéral pour le câblage qui ne requiert pas l'enlèvement de l'assemblage de la soufflante du ventilateur. Si vous choisissez de raccorder l'unité par l'intérieur, vous aurez besoin d'enlever l'assemblage de la soufflante et le compartiment de câblage intérieur. Les deux méthodes sont également efficaces.

- Compartiment de Câblage Extérieur :** enlever la vis du couvercle du compartiment à câblage et mettre ce couvercle dans un endroit fiable (Figure 5).

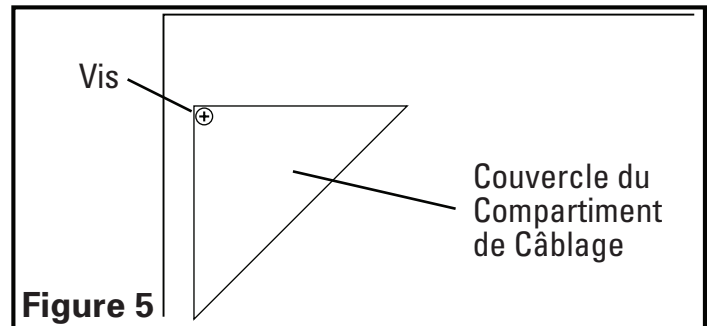


Figure 5

- Compartiment de Câblage Intérieur :** Enlever la vis retenant en place l'ensemble venturi du ventilateur et soulever pour sortir l'assemblage hors du châssis (Figure 6). Enlever la vis du couvercle du compartiment à câblage et mettre ce couvercle dans un endroit fiable (Figure 7).

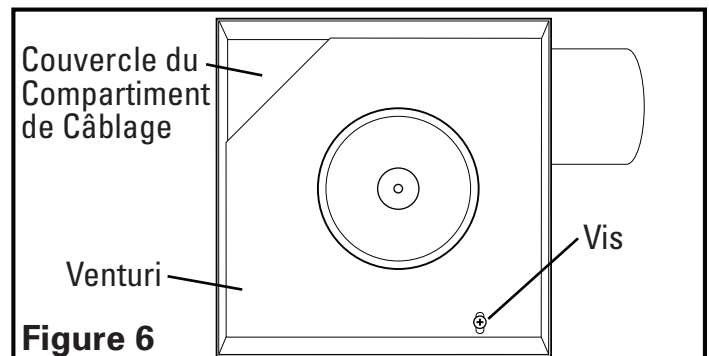


Figure 6



**REMARQUE :** Si le raccord du moteur de ventilateur est raccordé au réceptacle du châssis, le débrancher afin que l'ensemble venturi du ventilateur soit complètement enlevé.

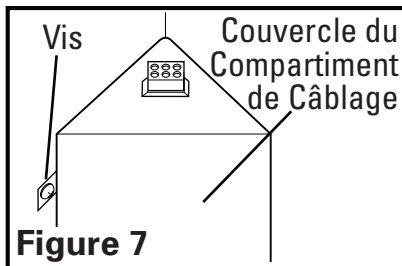


Figure 7

- Ventilation continue :** Pour les ventilateurs à deux vitesses, câblés pour la ventilation continue, reliez le fil blanc du ventilateur au fil (neutre) blanc de la source d'énergie. Reliez le fil de terre de la maison au fil vert du logement du ventilateur. Faites courir 2 fils d'un commutateur mural correctement mis à terre (non inclus) au ventilateur. Reliez le fil bleu du ventilateur et un fil du commutateur mural au fil noir (chaud) du bloc d'alimentation. Reliez l'autre fil du commutateur mural au fil noir du ventilateur. La fermeture du commutateur changera la vitesse de normale à élevée (Figure 8).

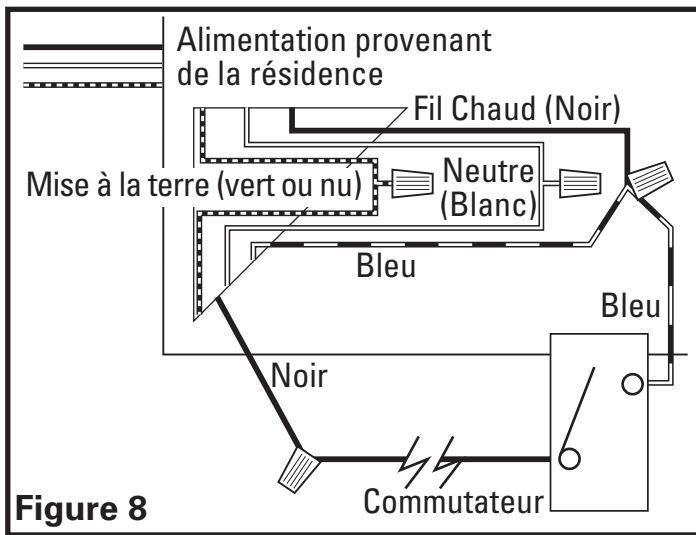


Figure 8

- Ventilation intermittente :** Pour les ventilateurs à deux vitesses câblés pour la ventilation intermittente avec le commutateur AKS2 recommandé (non inclus). Reliez le fil blanc du ventilateur au fil (neutre) blanc du bloc d'alimentation. Reliez le fil de terre du ventilateur au fil de terre du bloc d'alimentation. Mettez à terre correctement les commutateurs. Faites courir un fil du fil bleu dans le ventilateur à la borne commune (vis noire) du commutateur AKS2. Reliez le fil noir du bloc d'alimentation à la borne argentée sur le fond du commutateur AKS2. Reliez le fil noir du ventilateur à la borne argentée sur le dessus du commutateur AKS2. Le commutateur inférieur allumera et éteindra le ventilateur; le commutateur de dessus changera entre haut et bas (Figure 9).

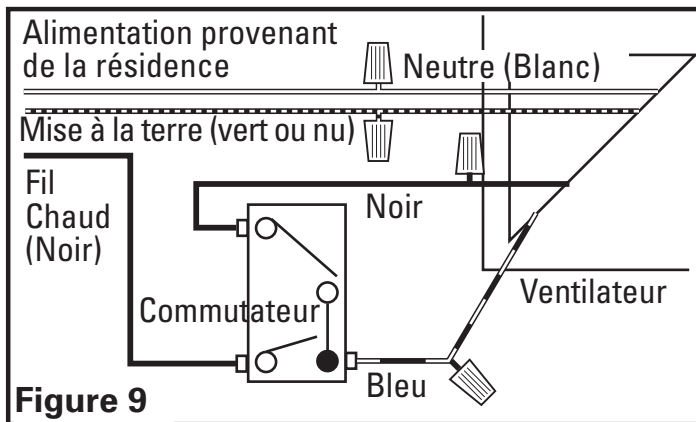


Figure 9

**REMARQUE :** L'unité doit être mise à terre selon tous les codes locaux et nationaux.

- Réinstallez la couverture du compartiment du fil et le venturi du ventilateur en suivant les instructions à la réverse à l'étape 1B de la section 5 du câblage. Assurez-vous que tous les fils sont contenus à l'intérieur du compartiment du fil.

## SECTION 6

### Complétion de l'installation

- Branchez le cordon de raccord rapide du moteur du ventilateur dans le réceptacle situé sur la couverture du compartiment du fil. La corde s'insérera seulement d'une seule manière dans le réceptacle (Figure 10).

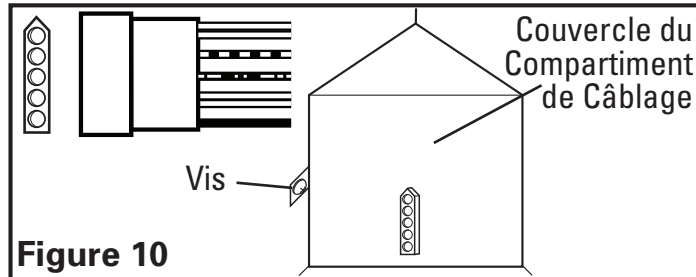


Figure 10

- Installer la grille en pressant ensemble les deux extrémités des ressorts et en les installant dans les fentes du châssis du ventilateur. Pousser la grille en position (Figure 11).

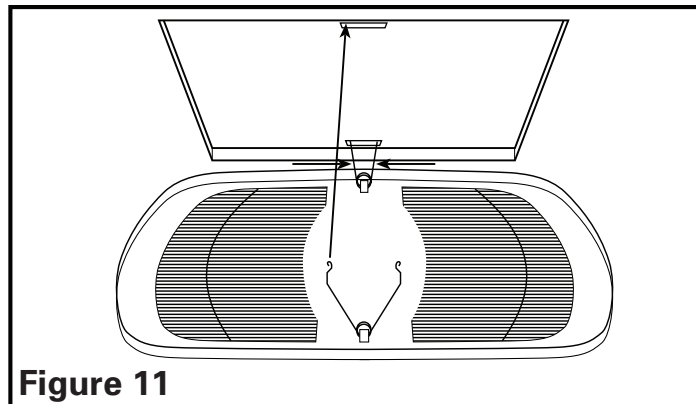


Figure 11

- Restaurer l'alimentation et tester votre installation.

## SECTION 7

### Utilisation et entretien

#### AVERTISSEMENT : VOUS ASSURER QUE L'ALIMENTATION EST COUPÉE AU PANNEAU DE SERVICE AVANT DE COMMENCER L'INSTALLATION.

- Nettoyage de la grille :** Retirer la grille et utiliser un détergent doux, tel que du liquide pour la vaisselle, puis sécher à l'aide d'un chiffon doux. NE JAMAIS UTILISER D'ABRASIF OU DE POUDRE À RÉCURER. Sécher complètement la grille avant de la réinstaller. Pour réinstaller la grille, vous référer à la **Section 6 - Complétion de l'installation**.
- Nettoyage de l'assemblage du ventilateur :** Nettoyer toutes les parties à l'aide d'un chiffon sec ou passer délicatement l'aspirateur sur le ventilateur. NE JAMAIS IMMERGER LES PARTIES ÉLECTRIQUES DANS L'EAU.

## Guide de dépannage

Trouble	Cause Possible	Solution Suggérée
1. Le ventilateur ne fonctionne pas lorsque	1a. Un fusible peut être grillé ou un disjoncteur l'interrupteur est à la position en marche. 1b. La fiche de raccord du moteur n'est pas connectée. 1c. Le câblage n'est pas raccordé correctement. 1d. La moteur est terminée	1a. Remplacer le fusible ou réinitialiser le disjoncteur. peut être déclenché. 1b. Couper l'alimentation à l'unité. Retirer la grille et brancher le moteur dans le réceptacle dans le cabinet. Remettre l'alimentation sur l'unité. 1c. Couper l'alimentation de l'unité. Vérifier que tous les fils sont raccordés. 1d. Remplacez la moteur
2. Le ventilateur fonctionne, mais l'air circule plus lentement que la normale.	2. Obstruction dans les conduits d'évacuation.	2. Vérifier pour toute obstruction dans les conduits. Les plus courantes sont des nids d'oiseau dans le chapeau de toit ou mural là où le ventilateur s'évacue vers l'extérieur.
3. Le ventilateur fonctionne de manière plus bruyante que la normale.	3a. Le moteur est lâche. 3b. L'hélice du ventilateur frotte contre le cabinet de l'unité.	3a. Couper l'alimentation à l'unité. Retirer la grille et vérifier que toutes les vis sont complètement serrées. Remettre l'alimentation sur l'unité. 3b. Appeler votre marchand pour un service.

## GARANTIE LIMITÉE

**CE QUE COUVRE CETTE GARANTIE :** Ce produit est garanti contre tout vice de fabrication ou de matière.

**COMBIEN DE TEMPS CETTE GARANTIE DURE :** Cette garantie se rapporte seulement à l'acheteur original du produit et dure pendant une (1) année de la date de l'achat original ou jusqu'à ce que l'acheteur original du produit vend ou transfère le produit, celui qui se produit en premier.

**QUE FERA AIR KING :** Au cours de la période de garantie, Air King, à son choix, réparera ou remplacera n'importe quelle partie ou pièces qui s'avèrent défectueuses ou remplacera le produit entier par le même modèle ou un modèle comparable.

**CE QUE CETTE GARANTIE NE COUVRE PAS :** Cette garantie ne s'applique pas si le produit était endommagé ou arrête de fonctionner en raison d'un accident, d'une mauvaise manipulation ou opération, de dommages d'expédition, d'abus, de mauvaise utilisation, de réparation faite ou tentées non autorisées. Cette garantie ne couvre pas les coûts d'expédition pour le retour des produits à Air King pour la réparation ou le remplacement. Air King payera les frais d'expédition de retour de Air King après les réparations ou le remplacement de garantie.

**TOUTES LES GARANTIES, EXPRESSES OU TACITES (COMPRENANT, SANS LIMITATION, TOUTE GARANTIE TACITE DE VALEUR MARCHANDE), DURENT UN AN DE LA DATE DE L'ACHAT ORIGINAL OU JUSQU'À CE QUE L'ACHETEUR ORIGINAL DU PRODUIT VEND OU TRANSFÈRE LE PRODUIT, CELUI QUI SE PRODUIT EN PREMIER ET DANS AUCUN CAS AIR KING N'ASSUME AUCUNE RESPONSABILITÉ EXPRESSE OU TACITE POUR (I) DES DOMMAGES ACCIDENTELS OU INDIRECTS DE N'IMPORTE QUELLE CAUSE, OU (II) LE REMPLACEMENT OU LA RÉPARATION DE TOUS FUSIBLES, DISJONCTEURS OU RÉCEPTACLES DE MAISON. MALGRÉ N'IMPORTE QUOI À L'EFFET CONTRAIRE, DANS AUCUN CAS LA RESPONSABILITÉ D'AIR KING, SOUS UNE GARANTIE EXPRESSE OU TACITE, NE DÉPASSERA LE PRIX D'ACHAT DU PRODUIT ET UNE TELLE RESPONSABILITÉ SE TERMINERA AVEC L'EXPIRATION DE LA PÉRIODE DE GARANTIE.**

Certains états et provinces ne permettent pas les limitations de la période de garantie, ou l'exclusion ou la restriction des dommages accidentels ou indirects, et, par conséquent, les présentes restrictions ne peuvent pas s'appliquer. La présente garantie vous donne des droits légaux spécifiques et peut-être certains autres droits qui peuvent varier selon la province. La preuve d'achat est exigée avant qu'une réclamation de garantie ne soit acceptée.

## SERVICE À LA CLIENTÈLE :

**Sans frais (800) 465-7300**

Notre équipe de service à la clientèle est disponible pour vous aider avec des questions sur le produit, les adresses des centres de service, et les pièces de rechange. Vous pouvez la rejoindre, du lundi au vendredi, de 8h:00 à 16h:00 HNE. Veuillez avoir le numéro du modèle disponible, ainsi que le genre et le style (qui se trouvent sur l'étiquette à l'intérieur de votre produit).

Veuillez ne pas renvoyer le produit à l'endroit de l'achat.

[www.airkinglimited.com](http://www.airkinglimited.com)

**IL SE PEUT QUE LES PIÈCES POUR LES PRODUITS DISCONTINUÉS, OBSOLÈTES ET AUTRES PRODUITS NE SOIENT PAS DISPONIBLES. POUR DES RAISONS DE SÛRETÉ, BEAUCOUP DE COMPOSANTS ÉLECTRONIQUES ET LA PLUPART DES COMPOSANTS DES CHAUFFAGES NE SONT PAS À LA DISPOSITION DES CONSOMMATEURS POUR L'INSTALLATION OU LE REMPLACEMENT.**

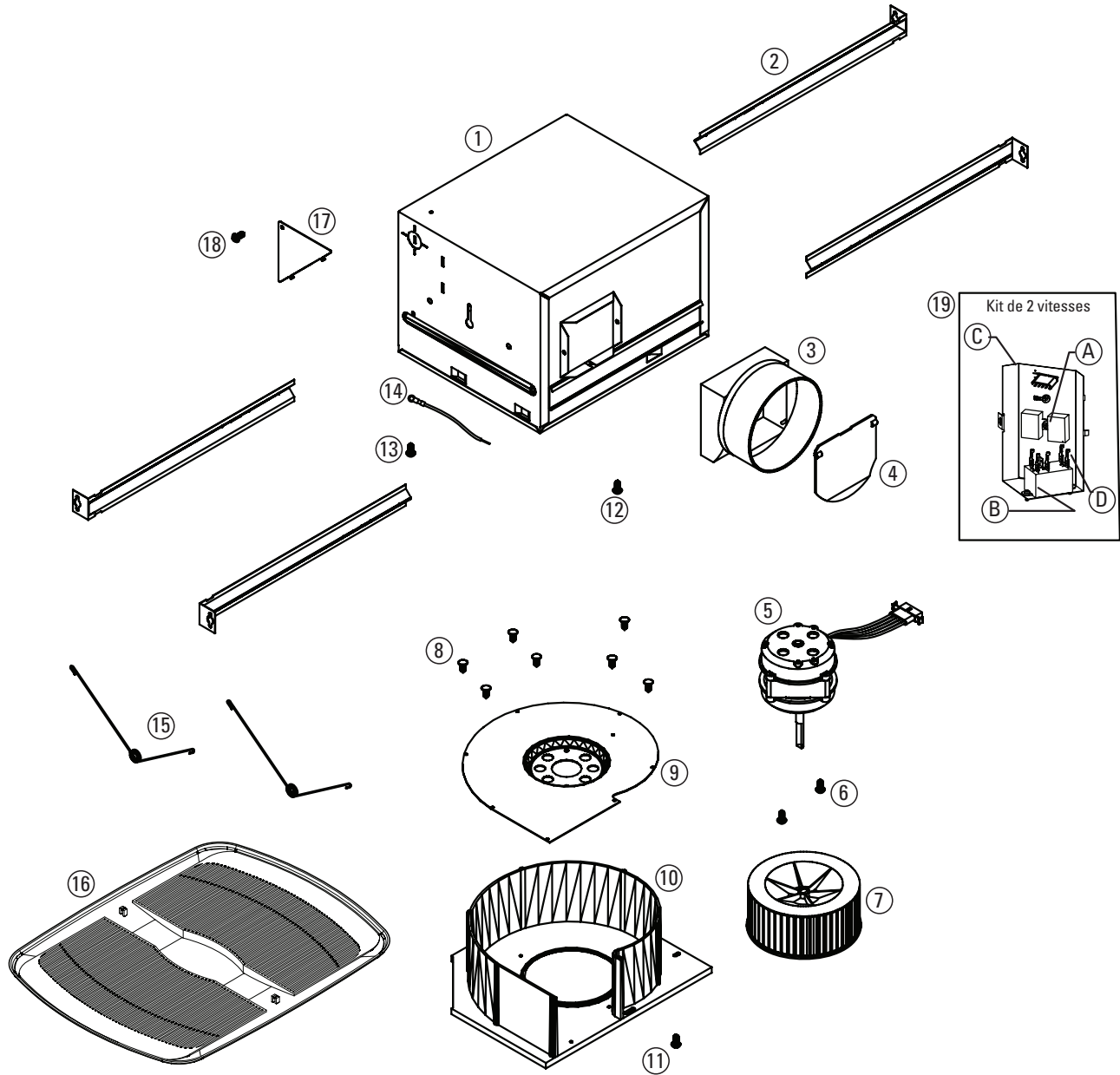
Installateur: \_\_\_\_\_

Date d'installation: \_\_\_\_\_

Endroit de l'achat: \_\_\_\_\_

Numéro de modèle: \_\_\_\_\_

# DIAGRAMME DES PIÈCES DE REMPLACEMENT



#	Qty.	Description	# de pièce de remplacement
1	1	Cabinet du ventilateur	5S1202001
2	4	Traverses de Montage	5S1299002
3	1	Collet	5S1299003
4	1	Clapet	5S1299004
5	1	Moteur	5S2202001
6	2	Vis	5S2202002
7	1	Roue de la Soufflante	5S2202003
8	7	Vis de la Soufflante	5S2202004
9	1	Plaque de Moteur	5S2202005
10	1	Venturi	5S2202006
11	1	Vis	5S1999009
12	1	Vis	5S1999010

#	Qte.	Description	# de pièce de remplacement
13	1	Vis #10 de mise à la terre	5S1999002
14	1	Fil de mise à la terre de calibre # 14	5S1999003
15	2	Ressorts de la grille	5S1202006
16	1	Grille	5S1202005
17	1	Couvercle de Câble Externe	5S1202007
18	1	Vis	5S1999010
19	1	Kit de 2 vitesses	5S2202110
19A	1	Condensateur de 2 vitesses	5S2202112
19B	1	Relais	5S1239008
19C	1	Fil de liaison	5S2202112
19D	1	Couvercle de Câble	5S2202113

# REMARQUE