

IMPORTANT INSTRUCTIONS - OPERATING MANUAL

Models: ES80S, ES130S,
ES80D, ES130D



Exhaust Fan

READ AND SAVE THESE INSTRUCTIONS

READ CAREFULLY BEFORE ATTEMPTING TO ASSEMBLE, INSTALL, OPERATE OR MAINTAIN THE PRODUCT DESCRIBED. PROTECT YOURSELF AND OTHERS BY OBSERVING ALL SAFETY INFORMATION. FAILURE TO COMPLY WITH INSTRUCTIONS COULD RESULT IN PERSONAL INJURY AND/OR PROPERTY DAMAGE!

RETAIN INSTRUCTIONS FOR FUTURE REFERENCE.

GENERAL SAFETY INFORMATION

When using electrical appliances, basic precautions should always be followed to reduce the risk of fire, electric shock and injury to person, including the following:

WARNING: TO REDUCE THE RISK OF FIRE, ELECTRIC SHOCK AND INJURY TO PERSON, OBSERVE THE FOLLOWING:

- a) Use this unit only in the manner intended by the manufacturer. If you have questions, contact the manufacturer.
- b) Before servicing or cleaning the unit, switch power off at service panel and lock the service disconnecting means to prevent power from being switched on accidentally. When the service disconnecting means cannot be locked, securely fasten a prominent warning device, such as a tag, to the service panel.

WARNING: TO REDUCE THE RISK OF FIRE, ELECTRIC SHOCK AND INJURY TO PERSON, OBSERVE THE FOLLOWING:

- a) Installation work and electrical wiring must be done by qualified person(s) in accordance with all applicable codes and standards, including fire-related construction.
- b) Sufficient air is needed for proper combustion and exhausting of gases through the flue (chimney) of fuel burning equipment to prevent back drafting. Follow the heating equipment manufacturer's guideline and safety standards such as those published by the National Fire Protection Association (NFPA) and the American Society for Heating, Refrigeration, and Air Conditioning Engineers (ASHRAE), and the local code authorities.
- c) When cutting or drilling into wall or ceiling, do not damage electrical wiring and other hidden utilities.

- d) Ducted fans must always be vented to the outdoors.
- e) If this unit is to be installed over a tub or shower, it must be marked as appropriate for the application and be connected to a GFCI (Ground Fault Circuit Interrupter) - protected branch circuit.
- f) This unit must be grounded.
- g) To avoid motor bearing damage and noisy and/or unbalanced impellers, keep drywall spray, construction dust, etc. off power unit.
- h) NEVER place a switch where it can be reached from a tub or shower.
- i) Suitable for use with electronic speed control device.
- j) Do not install into ceilings thermally insulated to a value greater than R40.

CAUTION: FOR GENERAL VENTILATING USE ONLY. DO NOT USE TO EXHAUST HAZARDOUS OR EXPLOSIVE MATERIALS AND VAPORS.

WARNING: DO NOT USE IN KITCHENS.

- k) Read all instructions before installing or using exhaust fan.

SAVE THESE INSTRUCTIONS

INSTALLATION INSTRUCTIONS

CAUTION: MAKE SURE POWER IS SWITCHED OFF AT SERVICE PANEL BEFORE STARTING INSTALLATION.

SECTION 1

Preparing the Exhaust Fan

1. Unpack fan from the carton and confirm that all pieces are present. In addition to the exhaust fan you should have:
 - 1 - Grill
 - 1 - Damper Assembly (attached)
 - 2 - Mounting Brackets
 - 4 - #10-32 Nuts
 - 1 - Instruction/Safety Sheet
2. Choose the location for your fan. To ensure the best air and sound performance, it is recommended that the length of ducting and the number of elbows be kept to a minimum, and that insulated hard ducting be used. Larger duct sizes will reduce noise and airflow restrictions. This fan will require at least 10" of clearance in the ceiling or wall, and will mount through drywall up to 3/4" thick.
3. Select the most convenient electrical knockout and remove using a straight-blade screw driver (Figure 1).

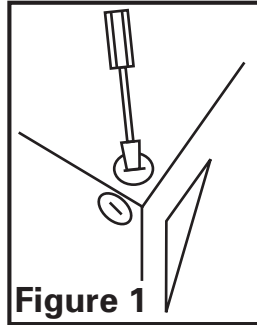


Figure 1

SECTION 2

Mounting the Housing

1. Installation on 24" Centers Joists or Larger than 2x6 Joists on 16" Centers: Install two - 2x4 headers (not included) between the joists (Figure 2). Install the mounting brackets through the top set of slots on the fan housing and secure in place with the four included #10-32 nuts as shown. Position the fan housing between the headers and secure the mounting brackets with screws or nails (not included) to the header. Adjust the height of the housing so that it is flush with the finished ceiling by loosening the mounting bracket nuts and sliding the housing up or down on the bracket. Fully tighten all four nuts to secure the housing in place (Figure 3).

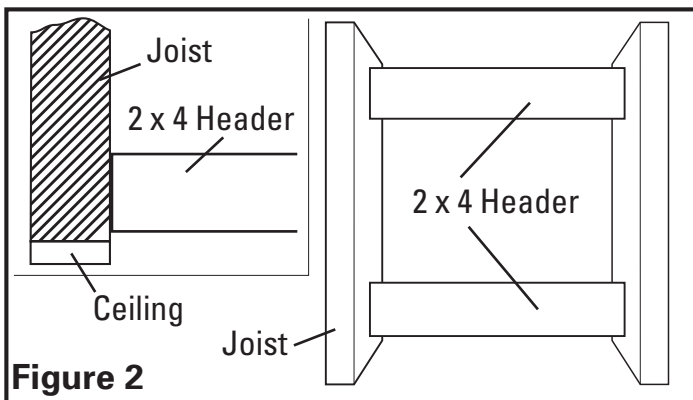


Figure 2

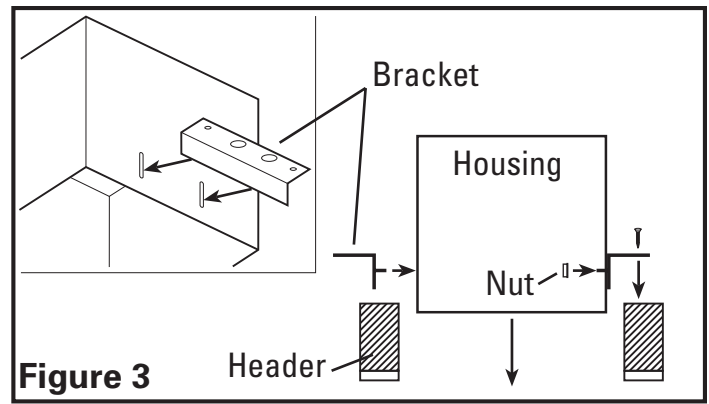


Figure 3

SECTION 3

Ducting

CAUTION: ALL DUCTING MUST COMPLY WITH LOCAL AND NATIONAL BUILDING CODES.

1. Connect the ducting to the fan's duct collar (Figure 4). Secure in place using tape or screw clamp. Always duct the fan to the outside through a wall or roof cap.

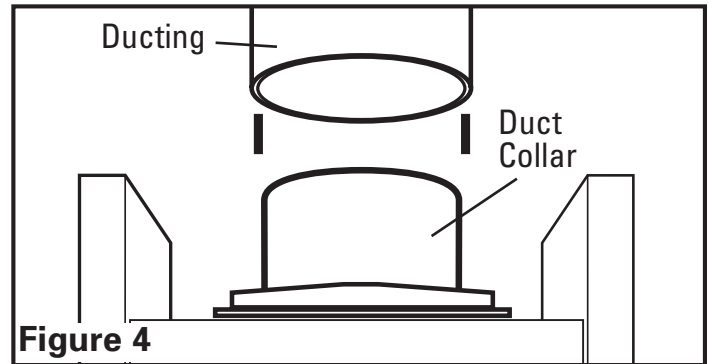


Figure 4

SECTION 4

Wiring

CAUTION: MAKE SURE POWER IS SWITCHED OFF AT SERVICE PANEL BEFORE STARTING INSTALLATION.

CAUTION: ALL ELECTRICAL CONNECTIONS MUST BE MADE IN ACCORDANCE WITH LOCAL CODES, ORDINANCES, OR NATIONAL ELECTRICAL CODE. IF YOU ARE UNFAMILIAR WITH METHODS OF INSTALLING ELECTRICAL WIRING, SECURE THE SERVICES OF A QUALIFIED ELECTRICIAN.

NOTE: This unit includes a side access panel for wiring that does not require the removal of the fan's blower assembly. If you choose to wire the unit from the inside, you will need to remove the blower assembly and internal wiring compartment. Both methods are equally effective.

- 1a. External Wire Compartment: Remove the wire compartment cover screw and place cover in a secure place (Figure 5).

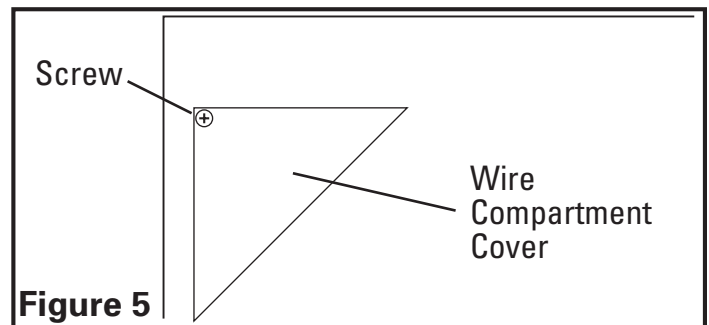
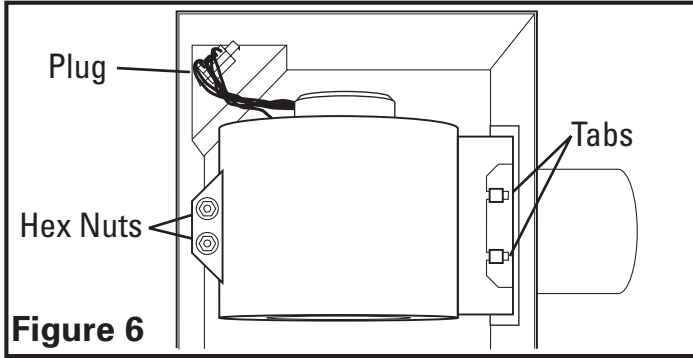
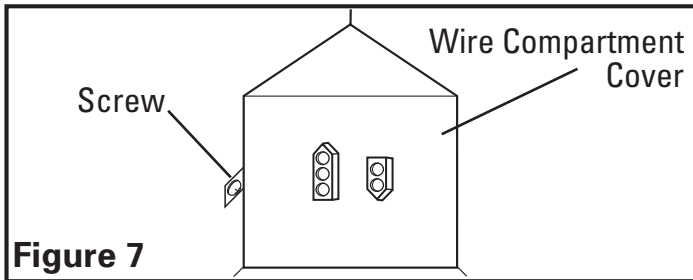


Figure 5

- 1b. **Internal Wire Compartment:** Using a 7/16" socket, remove the two hex nuts holding the blower assembly in place. Lift up on the assembly and slide it out of the tabs on the housing (**Figure 6**). Remove the wire compartment cover screw and place the cover in a secure place (**Figure 7**).

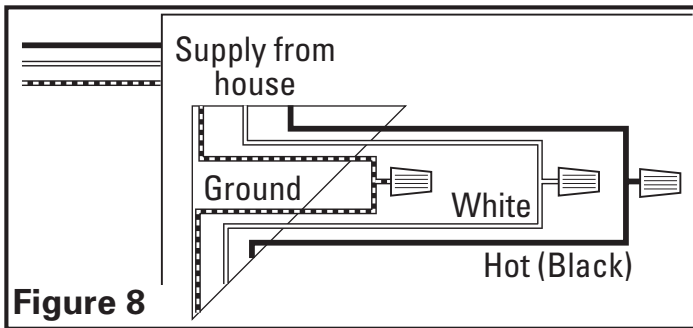


NOTE: If the fan motor plug is connected to the fan housing receptacle, unplug so the blower assembly can be completely removed.



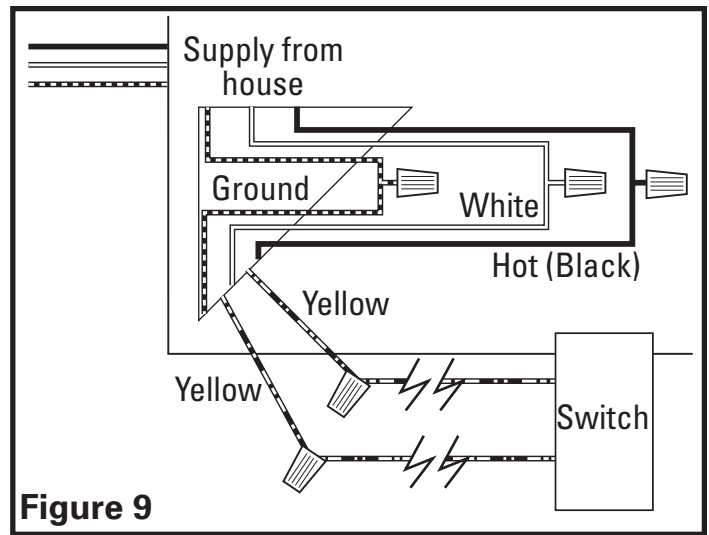
SINGE SPEED UNITS (models ES80S and ES130S)

- 2a. Run wiring from an approved wall switch (not included) carrying the appropriate rating. One neutral (white), one ground (green or bare copper), and one hot (black lead connected to the switch). Secure the electrical wires to the housing with an approved electrical connector. Make sure you leave enough wiring in the box to make the connection to the fan's receptacle.
- 2b. From where you have chosen to access the fan's junction box, connect the white wire from the house to the white wire from the fan's receptacle. Connect the black wire from the wall switch to the black wire from the fan's receptacle. Connect the ground wire from the house to the green wire from the fan housing (**Figure 8**). Use approved methods for all connections.

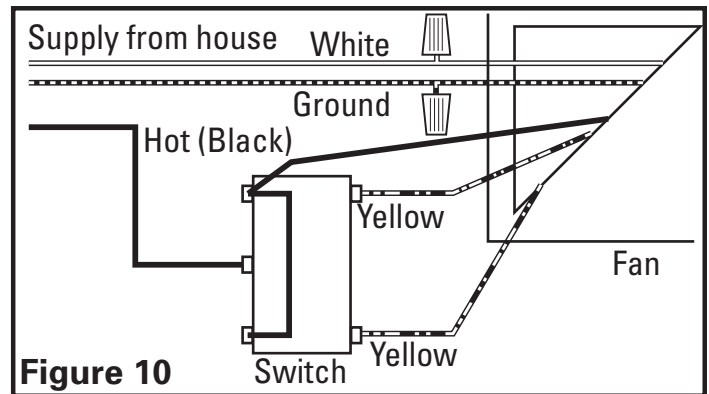


TWO SPEED UNITS (models ES80D and ES130D)

- 3a. **Continuous Ventilation:** For two speed fans wired for continuous ventilation, connect the Black wire of the fan to the Black wire (Hot) from the power source, connect the White wire of the fan to the White (Neutral) wire from the power source. Connect the ground wire from the house to the green wire from the fan housing. Connect the two yellow wires from the fan to an approved wall toggle switch (not included). Closing the switch will change from normal to high speed (**Figure 9**).



- 3b. **Intermittent Ventilation:** For two speed fans wired for intermittent ventilation with the recommended Air King model ESS2 switch (not included), connect the Black wire (Hot) from the power source to the 1C (common terminal) on the switch. Connect the Black wire of the fan to the 1A terminal on the switch and connect a jumper from the 1A to the 1b terminal. Connect the White (Neutral) wire from the power source to the white wire on the fan. Connect one of the two yellow wires from the fan to terminal 2C of the switch. Connect the other yellow wire to terminal 2B of the switch. Placing the toggle in the B position will energize high speed placing the toggle in the center position will turn the fan off and placing the toggle in the a position change the fan to low speed. Connect the ground wire from the house to the green wire from the fan housing (**Figure 10**).



NOTE: The fan's receptacle wires might need to be pulled outside compartment for connection. Only pull the five loose wires outside of compartment. Additional wires will be present.

4. Carefully tuck wire back inside wire compartment and replace wire compartment cover securing with the screw that was removed earlier.

**SECTION 5
Completing the Installation**

1. If the fan's blower assembly was removed during the wiring process, reinstall the blower by reversing the directions in **Section 4 (Wiring), Step 1b**.

SINGE SPEED UNITS (models ES80S and ES130S)

2. Plug the fan's 2 pin quick connect motor cord into the receptacle located on the side of the wire compartment cover. Plug the 3 pin

quick connect motor cord into the receptacle located on the top of the wire compartment cover. These cords will only fit one way into the receptacles (**Figure 11**).

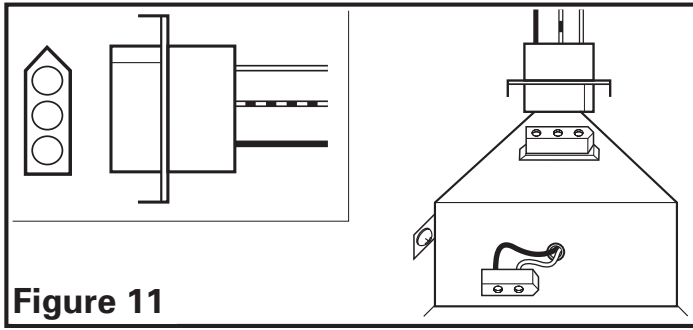


Figure 11

TWO SPEED UNITS (models ES80D and ES130D)

3. Plug the fan's 2 pin quick connect motor cord and the 3 pin quick connect motor cord into the receptacles located on the top of the wire compartment cover. These cords will only fit one way into the receptacles (**Figure 12**).

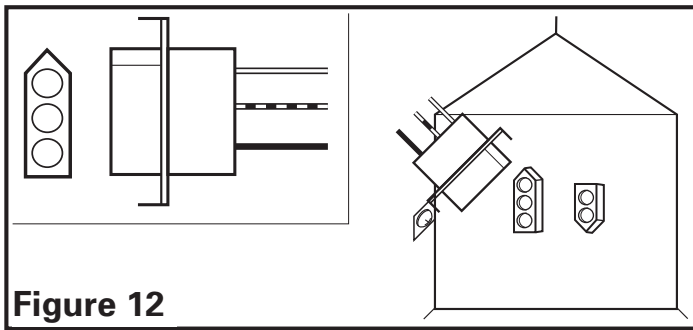


Figure 12

4. Install the grill by squeezing the two ends of the springs together and installing them up into the slots on the fan's housing. Push the grill up into position (**Figure 13**).

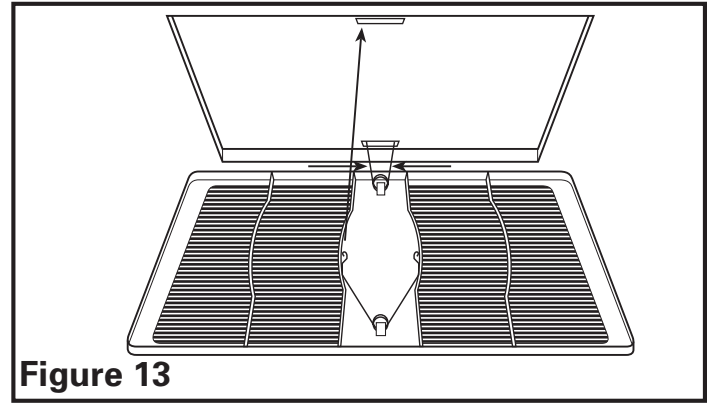


Figure 13

5. Restore power and test your installation.

SECTION 6

Use and Care

CAUTION: MAKE SURE POWER IS SWITCHED OFF AT SERVICE PANEL BEFORE SERVICING THE UNIT.

1. **Cleaning the Grill:** Remove grill and use a mild detergent, such as dishwashing liquid, and dry with a soft cloth. NEVER USE ANY ABRASIVE PADS OR SCOURING POWDERS. Completely dry grill before reinstalling. Refer to instructions in **Section 5 Finishing the Installation**, to reinstall grill.
2. **Cleaning the Fan Assembly:** Wipe all parts with a dry cloth or gently vacuum the fan. NEVER IMMERSE ELECTRICAL PARTS IN WATER.

Troubleshooting Guide

Trouble	Probable Cause	Suggested Remedy
1. Fan does not operate when the switch is on.	1a. A fuse may be blown or a circuit tripped. 1b. Connector plug from motor is not plugged in. 1c. Wiring is not connected properly. 1d. Motor has stopped operating.	1a. Replace fuse or reset circuit breaker. 1b. Turn off power to unit. Remove Grill and plug motor into receptacle in housing. Restore power to unit. 1c. Turn off power to unit. Check that all wires are connected. 1d. Replace motor.
2. Fan is operating, but air moves slower than normal.	2. Obstruction in the exhaust ducting.	2. Check for any obstructions in the ducting. The most common are bird nests in the roof cap or wall cap where the fan exhausts to the outside.
3. Fan is operating louder than normal	3a. Motor is loose. 3b. Fan blade is hitting housing of unit.	3a. Turn off power to unit. Remove grill and check that all screws are fully tightened. Restore power to unit. 3b. Call your dealer for service.

LIMITED WARRANTY

WHAT THIS WARRANTY COVERS: This product is warranted against defects in workmanship and/or materials.

HOW LONG THIS WARRANTY LASTS: This warranty extends only to the original purchaser of the product and lasts for one (1) year from the date of original purchase or until the original purchaser of the product sells or transfers the product, whichever first occurs.

WHAT AIR KING WILL DO: During the warranty period, Air King will, at its sole option, repair or replace any part or parts that prove to be defective or replace the whole product with the same or comparable model.

WHAT THIS WARRANTY DOES NOT COVER: This warranty does not apply if the product was damaged or failed because of accident, improper handling or operation, shipping damage, abuse, misuse, unauthorized repairs made or attempted. This warranty does not cover shipping costs for the return of products to Air King for repair or replacement. Air King will pay return shipping charges from Air King following warranty repairs or replacement.

ANY AND ALL WARRANTIES, EXPRESSED OR IMPLIED (INCLUDING, WITHOUT LIMITATION, ANY IMPLIED WARRANTY OF MERCHANTABILITY), LAST ONE YEAR FROM THE DATE OF ORIGINAL PURCHASE OR UNTIL THE ORIGINAL PURCHASER OF THE PRODUCT SELLS OR TRANSFERS THE PRODUCT, WHICHEVER FIRST OCCURS AND IN NO EVENT SHALL AIR KING'S LIABILITY UNDER ANY EXPRESS OR IMPLIED WARRANTY INCLUDE (I) INCIDENTAL OR CONSEQUENTIAL DAMAGES FROM ANY CAUSE WHATSOEVER, OR (II) REPLACEMENT OR REPAIR OF ANY HOUSE FUSES, CIRCUIT BREAKERS OR RECEPTACLES. NOTWITHSTANDING ANYTHING TO THE CONTRARY, IN NO EVENT SHALL AIR KING'S LIABILITY UNDER ANY EXPRESS OR IMPLIED WARRANTY EXCEED THE PURCHASE PRICE OF THE PRODUCT AND ANY SUCH LIABILITY SHALL TERMINATE UPON THE EXPIRATION OF THE WARRANTY PERIOD.

Some states and provinces do not allow limitations on how long an implied warranty lasts, or the exclusion or limitation of incidental or consequential damages, so these exclusions or limitations may not apply to you. This warranty gives you specific legal rights. You may also have other rights which vary from state to state and province to province. Proof of purchase is required before a warranty claim will be accepted.

CUSTOMER SERVICE:

Toll-Free (800) 465-7300

Our Customer Service team is available to assist you with product questions, service center locations, and replacement parts. They can be reached Monday through Friday, 8am-4pm Eastern. Please have your model number available, as well as the type and style (located on the label inside of your product).

Please do not return product to place of purchase.

www.airkinglimited.com

PARTS FOR DISCONTINUED, OBSOLETE AND CERTAIN OTHER PRODUCTS MAY NOT BE AVAILABLE. DUE TO SAFETY REASONS, MANY ELECTRONIC COMPONENTS AND MOST HEATER COMPONENTS ARE NOT AVAILABLE TO CONSUMERS FOR INSTALLATION OR REPLACEMENT.

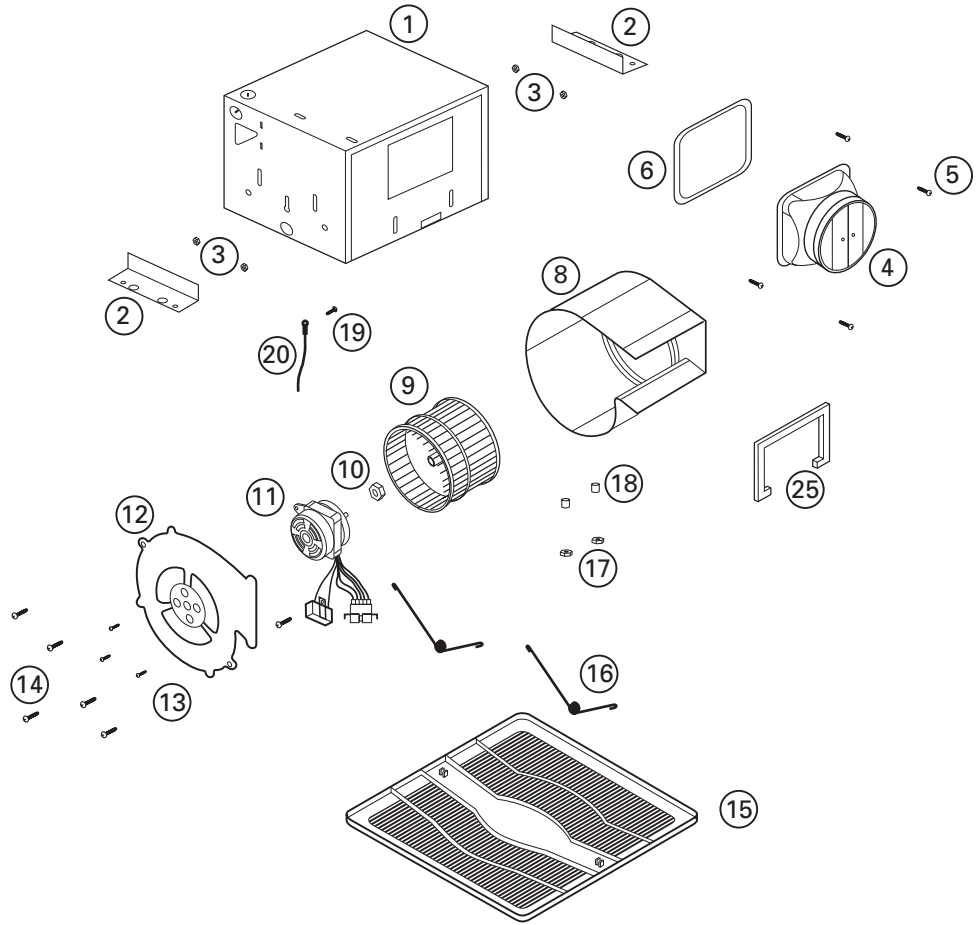
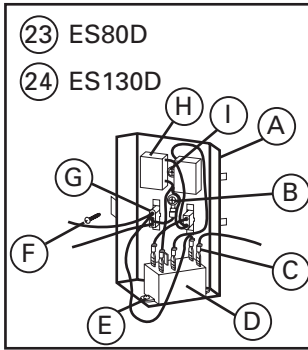
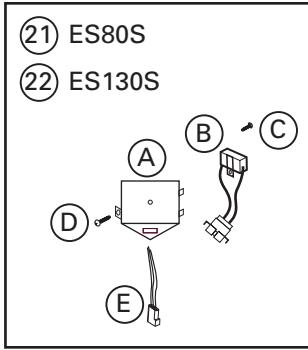
Installer: _____

Installation Date: _____

Place of Purchase: _____

Model Number: _____

REPLACEMENT PARTS DIAGRAM



#	Qty.	Description	Replacement Part #
1	1	Fan Housing	5S1202044
2	2	Mounting Bar	5S1202045
3	4	Hex Nuts	5S1202041
4	1	6" Metal Collar Assembly	5S5299100
5	4	Screws	5S1999010
6	1	Collar Gasket	5S1202054
7	1	Outlet Gasket	5S1202053
8	1	Blower Housing	5S2202022
9	1	Blower Wheel	5S2202023
10	1	Hex Nuts	5S2202014
11	1	Motor	5S2239001
12	1	Motor Plate	5S2202020
13	3	Motor Mount Screws	5S2202027
14	6	Plate Mount Screws	5S2202017
15	1	Grill	5S1202048
16	2	Grill Springs	5S1202046
17	2	Flange Nut	5S1202031
18	2	Grommets	5S1202032
19	1	#10 Ground Screw	5S1999002
20	1	14 ga Ground Wire	5S1999003

#	Qty.	Description	Replacement Part #
21	1	Wire Compartment Assembly - ES80S	5S1239001
22	1	Wire Compartment Assembly - ES130S	5S1239002
A	1	Wire Compartment	5S1239003
B	1	Capacitor Harness - ES80S	5S2239002
	1	Capacitor Harness - ES130S	5S2239003
C	1	Capacitor Mount Screw	5S1202049
D	1	Wire Cover Screw	5S1202049
E	1	Power Harness	5S2239004
23	1	Wire Compartment Assembly - ES80D	5S1239004
24	1	Wire Compartment Assembly - ES130D	5S1239005
A	1	Wire Compartment	5S1239006
B	1	#10 Ground Screw	5S1999002
C	1	ESD Jumper Wire	5S1239007
D	1	SPDT 120 Volt Relay	5S1239008
E	2	Relay Mount Screw	5S1202049
F	1	Wire Cover Screw	5S1202049
G	1	Power Harness	5S2239005
H	1	2 Speed Cap Harness - ES80D	5S2239006
	1	2 Speed Cap Harness - ES130D	5S2239007
I	1	Capacitor Mount Screw	5S1202049

IMPORTANT INSTRUCTIONS - OPERATING MANUAL

Modèles : ES80S, ES130S,
ES80D, ES130D



Ventilateur d'Évacuation

LIRE ET CONSERVER CES INSTRUCTIONS

LIRE SOIGNEUSEMENT AVANT DE TENTER D'ASSEMBLER, INSTALLER, OPÉRER OU DE RÉPARER LE PRODUIT DÉCRIT. PROTÉGEZ VOUS-MÊME ET LES AUTRES EN OBSERVANT TOUTE L'INFORMATION DE SÉCURITÉ. FAILLIR À SE CONFORMER AUX INSTRUCTIONS PEUT RÉSULTER EN BLESSURE PERSONNELLE GRAVE ET/OU EN DOMMAGE À LA PROPRIÉTÉ.

CONSERVER CES INSTRUCTIONS POUR RÉFÉRENCES FUTURES.

INSTRUCTIONS GÉNÉRALES DE SÉCURITÉ

Lors de l'utilisation d'appareils électriques, des précautions de base doivent toujours être suivies pour réduire les risques d'incendie, de choc électrique et de blessures corporelles, incluant ce qui suit:

AVERTISSEMENT : POUR RÉDUIRE LES RISQUES D'INCENDIE, DE CHOC ÉLECTRIQUE OU DE BLESSURES PERSONNELLES OBSERVER CE QUI SUIT :

- a) Utiliser cette unité seulement de la manière pour laquelle le fabricant l'a conçu. Si vous aviez des questions, veuillez contacter le fabricant.
- b) Avant d'effectuer un service ou de nettoyer l'unité, couper l'alimentation électrique dans le panneau de distribution et verrouiller le dispositif de déconnexion afin d'éviter que l'alimentation ne revienne accidentellement. Lorsque le dispositif ne peut être verrouillé, fixer solidement un avis d'avertissement, tel qu'une étiquette, au panneau de distribution.

AVERTISSEMENT : POUR RÉDUIRE LES RISQUES D'INCENDIE, DE CHOC ÉLECTRIQUE OU DE BLESSURES PERSONNELLES OBSERVER CE QUI SUIT :

- a) Le travail d'installation et le câblage électrique doivent être effectués par une(des) personne(s) qualifiée(s) en conformité avec tous les codes et normes applicables, incluant la construction relative aux incendies.
- b) De l'air en quantité suffisante est requis pour la bonne combustion et l'évacuation de gaz par le conduit (cheminée) provenant d'équipement de brûlage au combustible pour prévenir un refoulement. Suivre les directives du fabricant de l'équipement de chauffage et les normes de sécurité telles que celles publiées par la National Fire Protection Association (NFPA) et de la American Society for Heating, Refrigeration, and Air Conditioning Engineers (ASHRAE), et de celles des autorités locales du code.
- c) Lors de coupe ou de perçage des murs et plafonds, ne pas endommager le filage électrique et autres utilités cachées.

- d) Les ventilateurs avec conduits doivent toujours être évacués vers l'extérieur.
- e) Si cette unité doit être installée au-dessus d'une baignoire ou d'une douche, elle doit être marquée comme approprié pour l'application et être reliée à un GFCI (disjoncteur de fuite à la terre) - circuit électrique protégé.
- f) Cette unité doit être mise à la terre.
- g) Pour éviter des dommages aux roulements des moteurs et/ou des hélices bruyantes ou déséquilibrées, empêcher la poussière de cloison sèche, poussière de construction, etc., d'atteindre l'unité de puissance.
- h) NE JAMAIS placer un interrupteur à un endroit qui puisse être atteint de la baignoire ou de la douche.
- i) Approprié pour l'usage avec le dispositif de commande électronique de vitesse.
- j) N'installez pas sur des plafonds thermiquement isolés à une valeur plus grande que R40.

AVERTISSEMENT : POUR USAGE DE VENTILATION GÉNÉRALE EXCLUSIVEMENT. NE PAS UTILISER POUR ÉVACUER DU MATÉRIEL ET DES VAPEURS DANGEREUSES OU EXPLOSIVES.

AVERTISSEMENT : NE PAS UTILISER DANS LES CUISINES

- k) Bien lire toutes les instructions avant d'installer ou d'utiliser le ventilateur d'évacuation.

CONSERVER CES INSTRUCTIONS

INSTRUCTIONS D'INSTALLATION

AVERTISSEMENT : VOUS ASSURER QUE L'ALIMENTATION EST COUPÉE AU PANNEAU DE SERVICE AVANT DE COMMENCER L'INSTALLATION.

SECTION 1

Préparation du Ventilateur d'évacuation

- Sortir le ventilateur de sa boîte et confirmer que toutes les pièces sont présentes. En plus du ventilateur d'évacuation vous devriez avoir :
 - Grille
 - Ensemble de clapet (attaché)
 - Supports de montage
 - Écrous 10-32
 - Feuillelet d'instructions / sécurité
- Choisir un emplacement pour votre ventilateur. Pour assurer la meilleure performance du débit d'air et sonore, il est recommandé que la longueur des conduits et que le nombre de coudes soient gardés au minimum et que des conduits rigides isolés soient utilisés. Ce ventilateur nécessitera au moins 20,3cm (8po) de dégagement dans le plafond ou le mur, et s'installe au travers de cloison sèche d'une épaisseur de jusqu'à 1,9cm (3/4po).
- Sélectionner l'alvéole défonçable la mieux appropriée et l'enlever à l'aide d'un tournevis à lame plate (**Figure 1**).

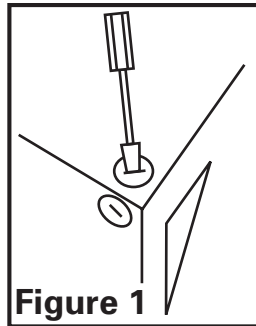


Figure 1

SECTION 2

Montage du Châssis

- Installation sur des solives de 61 cm (24 po) au centre ou plus larges que des solives de 40,6 cm (16 po): Installer deux chevêtres de 5,08 cm x 10,16 cm (2x4 po) (non-compris) entre les solives (**Figure 2**). Installer les supports de montage dans le second jeu de fentes sur le châssis du ventilateur et fixer en place avec les quatre écrous #10-32 inclus tel qu'indiqué. Centrer le châssis du ventilateur entre les solives et fixer les supports de montage avec des vis ou des clous (non-compris) au chevêtre. Ajuster la hauteur du châssis pour qu'il soit à effleurement avec le plafond fini en desserrant les écrous de support de montage et en glissant le châssis vers le haut ou vers le bas sur le support de montage. Serrer à fond tous les quatre écrous pour fixer le châssis en place (**Figure 3**).

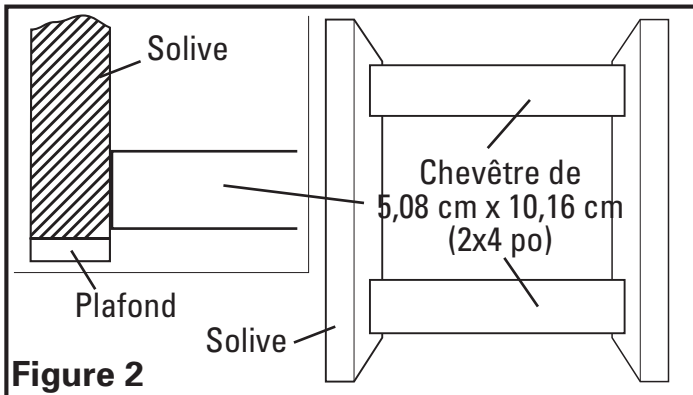


Figure 2

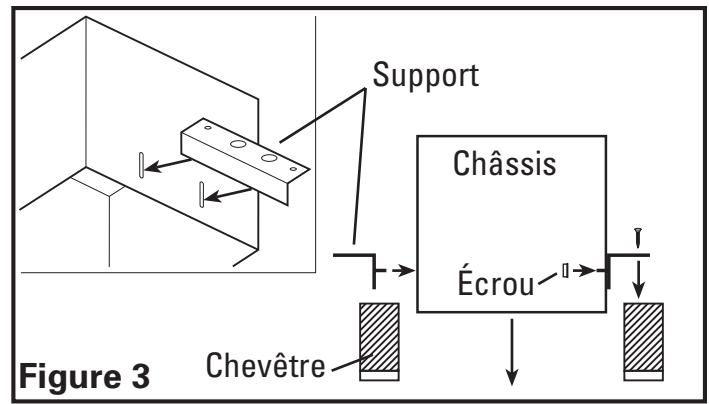


Figure 3

SECTION 3

Conduits

AVERTISSEMENT : TOUS LES CONDUITS DOIVENT ÊTRE CONFORMES AUX CODES DU BÂTIMENT LOCAUX ET NATIONAUX.

- Raccorder le conduit au collet de conduit du ventilateur (**Figure 4**). Fixer en place à l'aide de ruban ou de serre-joint. Toujours évacuer le ventilateur vers l'extérieur au travers de chapeau mural ou de toit.

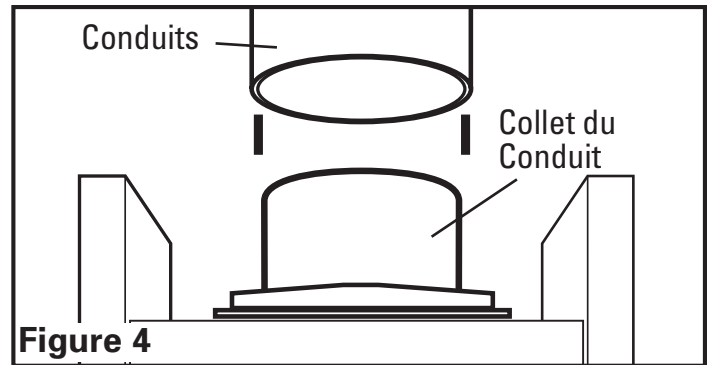


Figure 4

SECTION 4

Câblage

AVERTISSEMENT : VOUS ASSURER QUE L'ALIMENTATION EST COUPÉE AU PANNEAU DE SERVICE AVANT DE COMMENCER L'INSTALLATION.

AVERTISSEMENT : TOUTES LES CONNEXIONS DOIVENT ÊTRE FAITES EN CONFORMITÉ AVEC LES CODES ÉLECTRIQUES LOCAUX OU NATIONAUX. SI VOUS N'ÊTES PAS FAMILIER AVEC LES MÉTHODES D'INSTALLATION DE CÂBLAGE ÉLECTRIQUE, RECOURREZ AUX SERVICES D'UN ÉLECTRICIEN QUALIFIÉ.

REMARQUE: Cette unité possède un panneau d'accès latéral pour le câblage qui ne requiert pas l'enlèvement de l'assemblage de la soufflante du ventilateur. Si vous choisissez de raccorder l'unité par l'intérieur, vous aurez besoin d'enlever l'assemblage de la soufflante et le compartiment de câblage intérieur. Les deux méthodes sont également efficaces.

- 1a. Compartiment de Câblage Extérieur : Enlever la vis du couvercle du compartiment à câblage et mettre ce couvercle dans un endroit fiable (**Figure 5**).

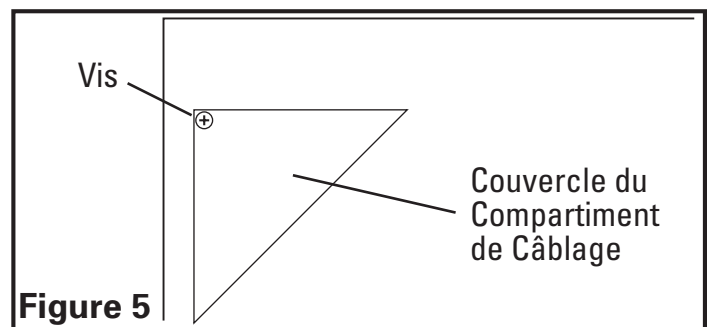
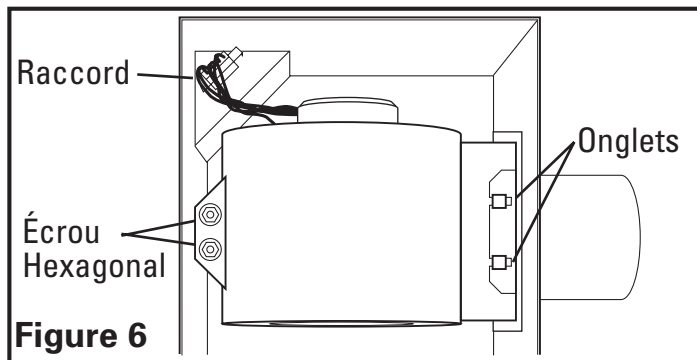
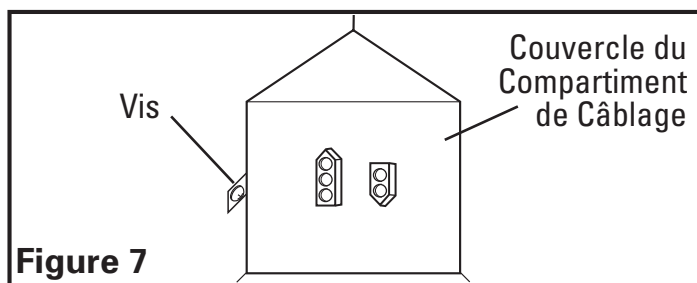


Figure 5

- 1b. Compartiment de Câblage Intérieur: Enlever les trois vis retenant en place l'assemblage de la soufflante et soulever pour sortir l'assemblage hors du châssis (**Figure 6**). Enlever la vis du couvercle du compartiment à câblage et mettre ce couvercle dans un endroit fiable (**Figure 7**).

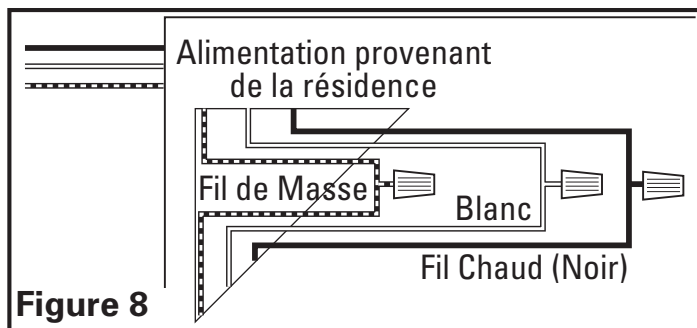


REMARQUE : Si le raccord du moteur de ventilateur est raccordé au réceptacle du châssis, le débrancher afin que l'assemblage de la soufflante soit complètement enlevé.



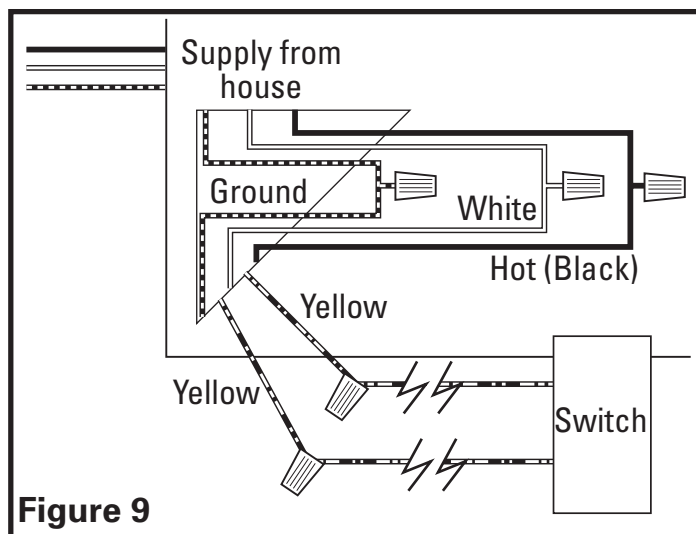
UNITÉS À UNE VITESSE (modèles ES80S et ES130S)

- 2a. Posez le câblage d'un commutateur mural approuvé (non inclus) portant la spécification appropriée. Un neutre (blanc), un de terre (vert ou cuivre dénudé), et un chaud (fil de sortie noir relié au commutateur). Fixez les fils électriques au logement avec une prise électrique approuvée. Assurez-vous de laisser assez de câblage dans la boîte pour faire la connexion au réceptacle du ventilateur.
- 2b. De l'endroit où vous avez choisi d'accéder à la boîte de raccordement du ventilateur, reliez le fil blanc de la maison au fil blanc du réceptacle du ventilateur. Reliez le fil noir du commutateur mural au fil noir du réceptacle du ventilateur. Reliez le fil de terre de la maison au fil vert du logement du ventilateur (**Figure 8**). Utilisez les méthodes approuvées pour tous les raccordements.

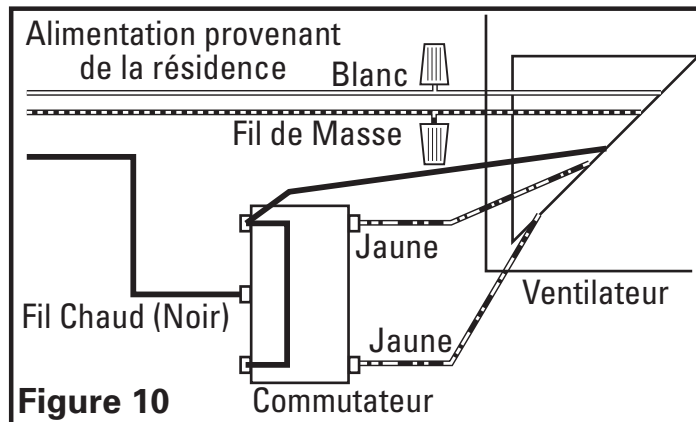


UNITÉS À DEUX VITESSES (modèles ES80D et ES130D)

- 3a. **Ventilation continue :** Pour les ventilateurs à deux vitesses câblés pour la ventilation continue, reliez le fil noir du ventilateur au fil noir (chaud) de la source d'énergie, reliez le fil blanc du ventilateur au fil (neutre) blanc de la source d'énergie. Reliez le fil de terre de la maison au fil vert du logement du ventilateur. Reliez les deux fils jaunes du ventilateur à un interrupteur électrique mural approuvé (non inclus). La fermeture du commutateur changera la vitesse de normale à élevée (**Figure 9**).



- 3b. **Ventilation intermittente :** Pour les ventilateurs à deux vitesses câblés pour la ventilation intermittente avec le commutateur ESS2 modèle recommandé d'Air King (non inclus), reliez le fil noir (chaud) de la source d'énergie au 1C (borne commune) sur le commutateur. Reliez le fil noir du ventilateur à la borne 1A sur le commutateur et reliez une bretelle du 1A à la borne 1B. Reliez le fil (neutre) blanc de la source d'énergie au fil blanc sur le ventilateur. Reliez un des deux fils jaunes du ventilateur à la borne 2C du commutateur. Reliez l'autre fil jaune à la borne 2B du commutateur. Le placement du bouton dans la position de B activera la vitesse. Le placement du bouton dans la position centrale arrêtera le ventilateur et le placement du bouton dans la position A changera le ventilateur à une vitesse réduite. Reliez le fil de terre de la maison au fil vert du logement du ventilateur (**Figure 10**).



REMARQUE : Les fils du réceptacle du ventilateur pourraient nécessiter d'être tirés à l'extérieur du compartiment pour le raccordement. Tirer uniquement les trois fils lâches à l'extérieur du compartiment. Des fils additionnels y sont présents.

4. Regrouper soigneusement les fils à l'intérieur du compartiment pour le raccordement et replacer le couvercle du compartiment en le fixant avec la vis qui fut enlevée précédemment.

SECTION 5

Complétion de l'installation

1. Si l'assemblage de la soufflante du ventilateur a été enlevé durant le processus de raccordement, réinstaller la soufflante en inversant les instructions à l'étape 1b de la **Section 4** Câblage.

UNITÉS À UNE VITESSE (modèles ES80S et ES130S)

2. Branchez la corde à 2 broches à connexion rapide du moteur du ventilateur située du côté de la couverture du compartiment du fil. Branchez la corde à 3 broches à connexion rapide du moteur

du ventilateur située sur le dessus de la couverture du compartiment du fil. Ces cordes s'inséreront seulement d'une façon dans les réceptacles (**Figure 11**).

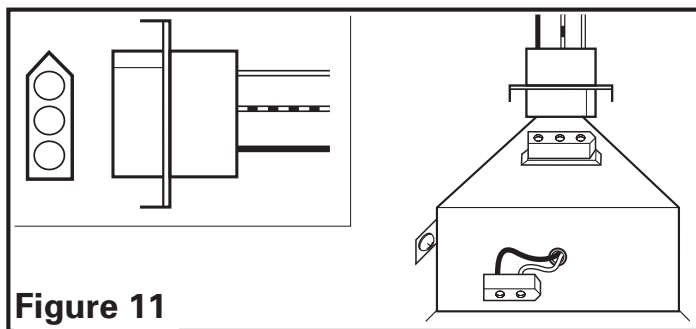


Figure 11

UNITÉS À DEUX VITESSES (modèles ES80D et ES130D)

3. Branchez la corde à 2 broches à connexion rapide du moteur du ventilateur située et la corde à 3 broches à connexion rapide du moteur du ventilateur dans les réceptacles situés sur le dessus de la couverture du compartiment du fil. Ces cordes s'inséreront seulement d'une façon dans les réceptacles (**Figure 12**).

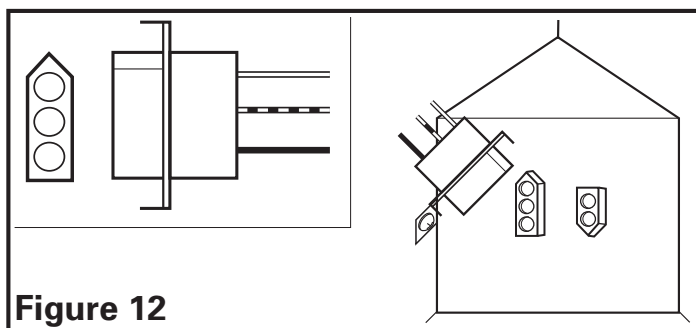


Figure 12

4. Installer la grille en pressant ensemble les deux extrémités des ressorts et en les installant dans les fentes du châssis du ventilateur. Pousser la grille en position (**Figure 13**).

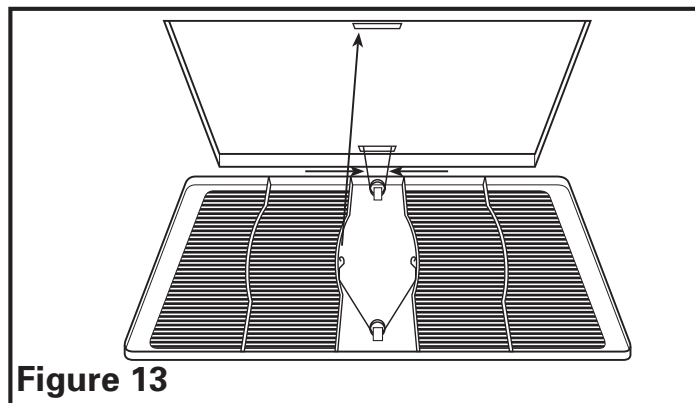


Figure 13

5. Restaurer l'alimentation et tester votre installation.

SECTION 6

Utilisation et entretien

AVERTISSEMENT : VOUS ASSURER QUE L'ALIMENTATION EST COUPÉE AU PANNEAU DE SERVICE AVANT DE COMMENCER L'INSTALLATION.

1. **Nettoyage de la grille :** Retirer la grille et utiliser un détergent doux, tel que du liquide pour la vaisselle, puis sécher à l'aide d'un chiffon doux. **NE JAMAIS UTILISER D'ABRASIF OU DE POUDRE À RÉCURER.** Sécher complètement la grille avant de la réinstaller. Pour réinstaller la grille, vous référer à la **Section 6 - Complétion de l'installation**.
2. **Nettoyage de l'assemblage du ventilateur :** Nettoyer toutes les parties à l'aide d'un chiffon sec ou passer délicatement l'aspirateur sur le ventilateur. **NE JAMAIS IMMERGER LES PARTIES ÉLECTRIQUES DANS L'EAU.**

Guide de dépannage

Trouble	Cause Possible	Solution Suggérée
1. Le ventilateur ne fonctionne pas lorsque l'interrupteur est à la position en marche.	1a. Un fusible peut être grillé ou un disjoncteur peut être déclenché. 1b. La fiche de raccord du moteur n'est pas connectée. 1c. Le câblage n'est pas raccordé correctement. 1d. La moteur est terminée	1a. Remplacer le fusible ou réinitialiser le disjoncteur. 1b. Couper l'alimentation à l'unité. Retirer la grille et brancher le moteur dans le réceptacle dans le cabinet. Remettre l'alimentation sur l'unité. 1c. Couper l'alimentation de l'unité. Vérifier que tous les fils sont raccordés. 1d. Remplacez la moteur
2. Le ventilateur fonctionne, mais l'air circule plus lentement que la normale.	2. Obstruction dans les conduits d'évacuation.	2. Vérifier pour toute obstruction dans les conduits. Les plus courantes sont des nids d'oiseau dans le chapeau de toit ou mural là où le ventilateur s'évacue vers l'extérieur.
3. Le ventilateur fonctionne de manière plus bruyante que la normale.	3a. Le moteur est lâche. 3b. L'hélice du ventilateur frotte contre le cabinet de l'unité.	3a. Couper l'alimentation à l'unité. Retirer la grille et vérifier que toutes les vis sont complètement serrées. Remettre l'alimentation sur l'unité. 3b. Appeler votre marchand pour un service.

GARANTIE LIMITÉE

QUE COUVRE CETTE GARANTIE : Ce produit est garanti contre tout vice de fabrication ou de matière.

COMBIEN DE TEMPS CETTE GARANTIE DURE : Cette garantie se rapporte seulement à l'acheteur original du produit et dure pendant une (1) année de la date de l'achat original ou jusqu'à ce que l'acheteur original du produit vend ou transfère le produit, celui qui se produit en premier.

QUE FERA AIR KING : Au cours de la période de garantie, Air King, à son choix, réparera ou remplacera n'importe quelle partie ou pièces qui s'avèrent défectueuses ou remplacera le produit entier par le même modèle ou un modèle comparable.

CE QUE CETTE GARANTIE NE COUVRE PAS : Cette garantie ne s'applique pas si le produit était endommagé ou arrête de fonctionner en raison d'un accident, d'une mauvaise manipulation ou opération, de dommages d'expédition, d'abus, de mauvaise utilisation, de réparation faite ou tentées non autorisées. Cette garantie ne couvre pas les coûts d'expédition pour le retour des produits à Air King pour la réparation ou le remplacement. Air King payera les frais d'expédition de retour de Air King après les réparations ou le remplacement de garantie.

TOUTES LES GARANTIES, EXPRESSES OU TACITES (COMPRENANT, SANS LIMITATION, TOUTE GARANTIE TACITE DE VALEUR MARCHANDE), DURENT UN AN DE LA DATE DE L'ACHAT ORIGINAL OU JUSQU'À CE QUE L'ACHETEUR ORIGINAL DU PRODUIT VEND OU TRANSFÈRE LE PRODUIT, CELUI QUI SE PRODUIT EN PREMIER ET DANS AUCUN CAS AIR KING N'ASSUME AUCUNE RESPONSABILITÉ EXPRESSE OU TACITE POUR (I) DES DOMMAGES ACCIDENTELS OU INDIRECTS DE N'IMPORTE QUELLE CAUSE, OU (II) LE REMPLACEMENT OU LA RÉPARATION DE TOUS FUSIBLES, DISJONCTEURS OU RÉCEPTACLES DE MAISON. MALGRÉ N'IMPORTE QUOI À L'EFFET CONTRAIRE, DANS AUCUN CAS LA RESPONSABILITÉ D'AIR KING, SOUS UNE GARANTIE EXPRESSE OU TACITE, NE DÉPASSERA LE PRIX D'ACHAT DU PRODUIT ET UNE TELLE RESPONSABILITÉ SE TERMINERA AVEC L'EXPIRATION DE LA PÉRIODE DE GARANTIE.

Certains états et provinces ne permettent pas les limitations de la période de garantie, ou l'exclusion ou la restriction des dommages accidentels ou indirects, et, par conséquent, les présentes restrictions ne peuvent pas s'appliquer. La présente garantie vous donne des droits légaux spécifiques et peut-être certains autres droits qui peuvent varier selon la province. La preuve d'achat est exigée avant qu'une réclamation de garantie ne soit acceptée.

SERVICE À LA CLIENTÈLE :

Sans frais (800) 465-7300

Notre équipe de service à la clientèle est disponible pour vous aider avec des questions sur le produit, les adresses des centres de service, et les pièces de rechange. Vous pouvez la rejoindre, du lundi au vendredi, de 8h:00 à 16h:00 HNE. Veuillez avoir le numéro du modèle disponible, ainsi que le genre et le style (qui se trouvent sur l'étiquette à l'intérieur de votre produit). Veuillez ne pas renvoyer le produit à l'endroit de l'achat.

www.airkinglimited.com

IL SE PEUT QUE LES PIÈCES POUR LES PRODUITS DISCONTINUÉS, OBSOLÈTES ET AUTRES PRODUITS NE SOIENT PAS DISPONIBLES. POUR DES RAISONS DE SÛRETÉ, BEAUCOUP DE COMPOSANTS ÉLECTRONIQUES ET LA PLUPART DES COMPOSANTS DES CHAUFFAGES NE SONT PAS À LA DISPOSITION DES CONSOMMATEURS POUR L'INSTALLATION OU LE REMPLACEMENT.

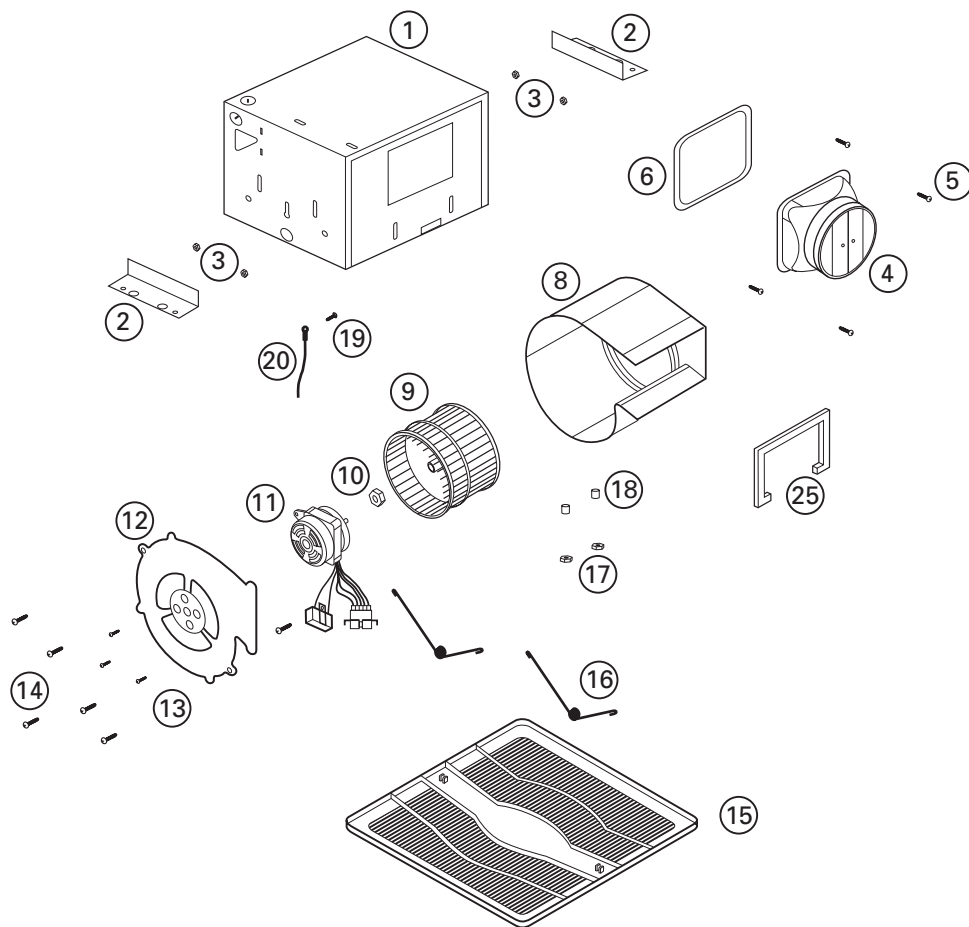
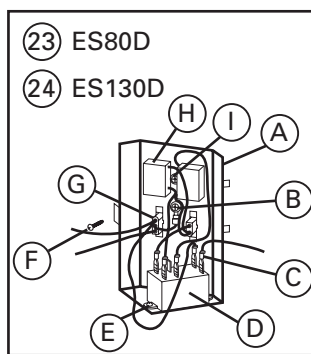
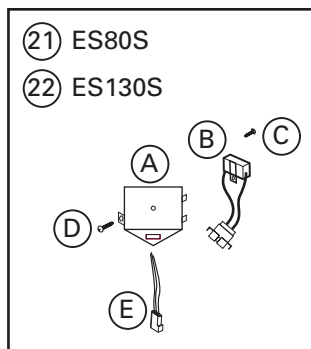
Installateur : _____

Date d'installation : _____

Endroit de l'achat : _____

Numéro de modèle : _____

DIAGRAMME DES PIÈCES DE REMPLACEMENT



#	Qté.	Description	# de pièce de remplacement
1	1	Cabinet du ventilateur	5S1202044
2	2	Barre de montage	5S1202045
3	4	Écrou	5S1202041
4	1	Assemblée de collier en métal de 6 po	5S5299100
5	4	Vis	5S1999010
6	1	Joint – Collet	5S1202054
7	1	Joint - Extérieur	5S1202053
8	1	Cabinet de la Soufflante	5S2202022
9	1	Roue de la Soufflante	5S2202023
10	1	Écrou	5S2202014
11	1	Moteur	5S2239001
12	1	Plaque de Moteur	5S2202020
13	3	Vis de montage de moteur	5S2202027
14	6	Vis de la plaque de montage	5S2202017
15	1	Grille	5S1202048
16	2	Ressorts de la grille	5S1202046
17	2	Écrou de la bride	5S1202031
18	2	Passe-fil	5S1202032
19	1	Vis #10 de mise à la terre	5S1999002
20	1	Fil de mise à la terre de calibre # 14	5S1999003

#	Qté.	Description	# de pièce de remplacement
21	1	Assemblée du compartiment du fil - ES80S	5S1239001
22	1	Assemblée du compartiment du fil - ES130S	5S1239002
A	1	Compartiment du fil	5S1239003
B	1	Harnais du Capuchon - ES80S	5S2239002
	1	Harnais du Capuchon - ES130S	5S2239003
C	1	Vis de montage du condensateur	5S1202049
D	1	Vis de la couverture du fil	5S1202049
E	1	Câble d'alimentation	5S2239004
23	1	Assemblée du compartiment du fil - ES80D	5S1239004
24	1	Assemblée du compartiment du fil - ES130D	5S1239005
A	1	Compartiment du fil	5S1239006
B	1	Vis #10 de mise à la terre	5S1999002
C	1	Câble de liaison ESD	5S1239007
D	1	SPDT relais de 120 volts	5S1239008
E	2	Vis de montage de relais	5S1202049
F	1	Vis de la couverture du fil	5S1202049
G	1	Câble	5S2239005
H	1	Capot de câblages d'alimentation de 2 vitesses - ES80D	5S2239006
	1	Capot de câblages d'alimentation de 2 vitesses - ES130D	5S2239007
I	1	Vis de montage du condensateur	5S1202049