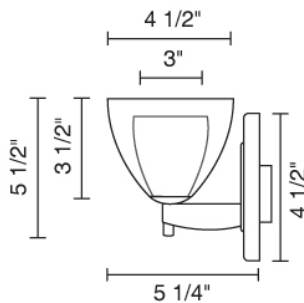
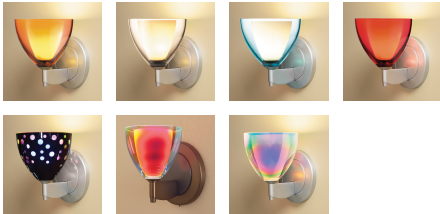


RAINBOW II SCONCE



Description:

The Rainbow II wall sconce may be mounted as an up-light or a down-light. The metal canopy and stem is available in bronze, polished chrome, and matte chrome plating. A 75W dimmable electronic transformer is included on the mounting plate.

Part Numbers:

| | |
|-----------------|--------------------------------------|
| 100725bz | bronze, orange glass |
| 100725ch | chrome, orange glass |
| 100725mc | matte chrome, orange glass |
| 100726bz | bronze, smoky glass |
| 100726ch | chrome, smoky glass |
| 100726mc | matte chrome, smoky glass |
| 100728bz | bronze, turquoise glass |
| 100728ch | chrome, turquoise glass |
| 100728mc | matte chrome, turquoise glass |
| 100729bz | bronze, red glass |
| 100729ch | chrome, red glass |
| 100729mc | matte chrome, red glass |
| 100816bz | bronze, retro white glass |
| 100816ch | chrome, retro white glass |
| 100816mc | matte chrome, retro white glass |
| 100817bz | bronze, retro black glass |
| 100817ch | chrome, retro black glass |
| 100817mc | matte chrome, retro black glass |
| 100916bz | bronze, dichroic rainbow glass |
| 100916ch | chrome, dichroic rainbow glass |
| 100916mc | matte chrome, dichroic rainbow glass |
| 100919bz | bronze, dichroic sunrise glass |
| 100919ch | chrome, dichroic sunrise glass |
| 100919mc | matte chrome, dichroic sunrise glass |

Technical Specs:

120V AC, 50/60Hz input

11.7V AC output

50VA, 49W for 1 (maximum 50 Watt lamp)

GY6.35 socket

Suitable for dry locations only

Mount to 3 1/2" - 4" round J-box

Short circuit protection

Overload protection
Thermal protection
Dimmable