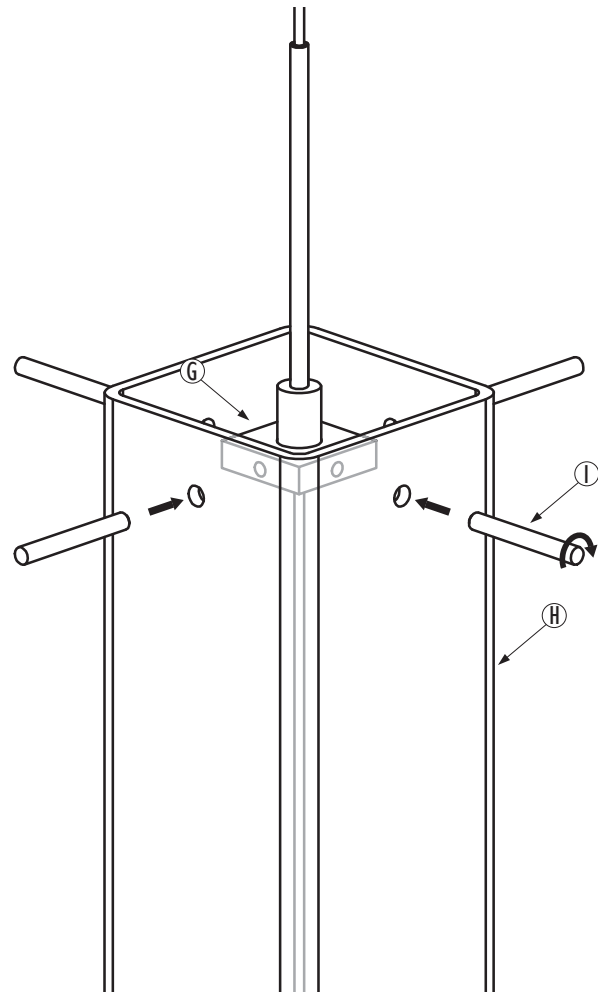


INSTALL GLASS

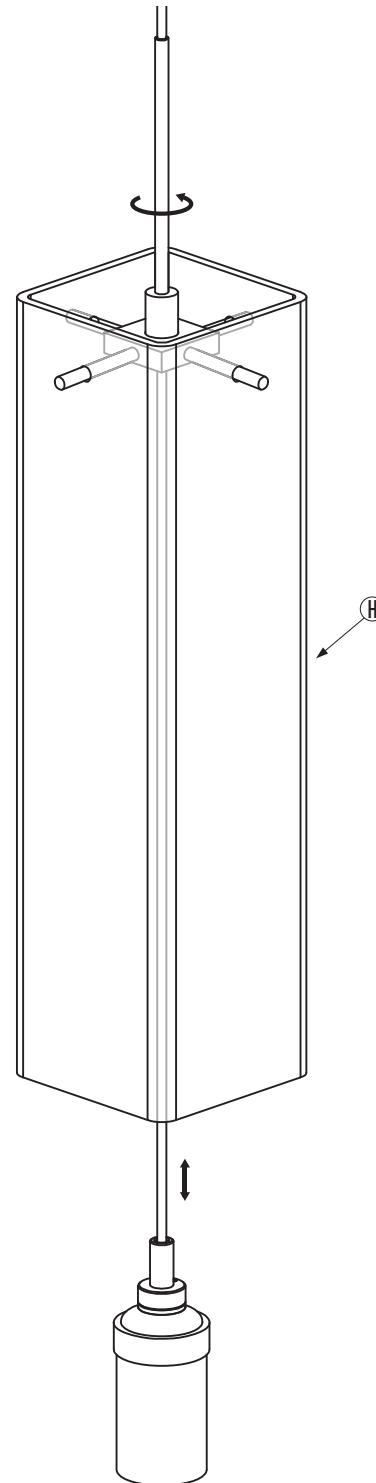
- To install glass, position square part (G) in center of glass (H) and align holes in glass (H) with holes on square part (G).
- Slide stems (I) through the glass and screw them into square part (G).



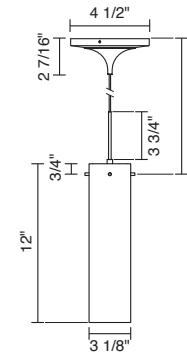
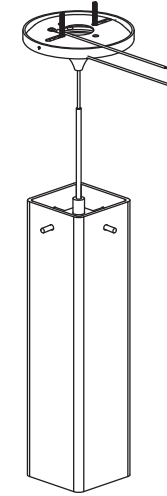
REPLACE LAMP

- To replace lamp turn off power.
- Unscrew the cap and lift the glass (H) after replacing lamp, carefully slide glass back onto conical.

NOTE: Glass does not hold in upper position and will slide back.



HOUSTON



IMPORTANT SAFETY INSTRUCTIONS



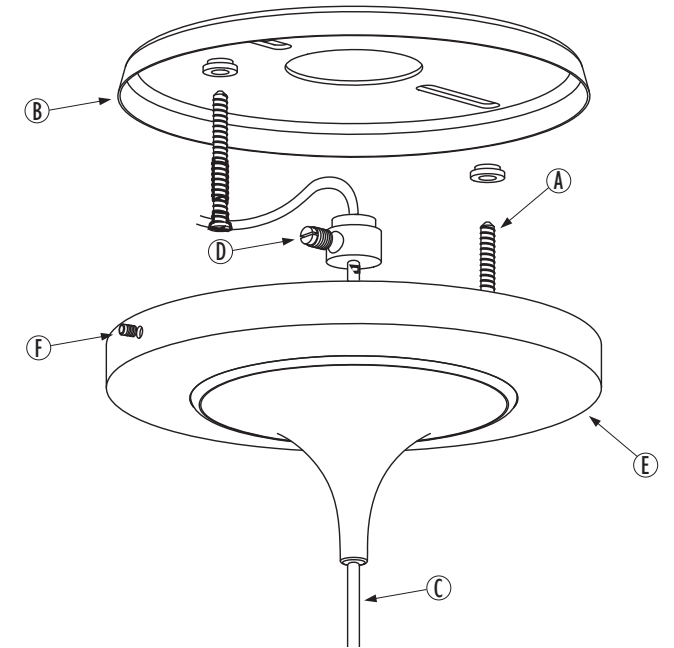
1. Read all instructions!
2. Turn off power prior to any work on the canopy.
3. THIS PRODUCT MUST BE INSTALLED BY A PERSON FAMILIAR WITH THE CONSTRUCTION AND OPERATION OF THE PRODUCT AND THE HAZARDS INVOLVED, IN ACCORDANCE WITH THE APPLICABLE INSTALLATION CODE.
4. This LINE VOLTAGE PENDANT MUST BE HARD WIRED, 120v. For all the wire connections, use Listed Wire Nuts.
5. Warranty is void in case of unauthorized modifications and/ or improper use.

READ ALL OF THESE INSTRUCTIONS BEFORE INSTALLATION

PART NUMBERS

110 850bz/MP	bronze, white glass	110 852bz/MP	bronze, red glass
110 850bz/IN/MP	bronze, white glass	110 852bz/IN/MP	bronze, red glass
110 850ch/MP	chrome, white glass	110 852ch/MP	chrome, red glass
110 850ch/IN/MP	chrome, white glass	110 852ch/IN/MP	chrome, red glass
110 850mc/MP	matte chrome, white glass	110 852mc/MP	matte chrome, red glass
110 850mc/IN/MP	matte chrome, white glass	110 852mc/IN/MP	matte chrome, red glass
110 851bz/MP	bronze, vanilla glass	110 853bz/MP	bronze, orange glass
110 851bz/IN/MP	bronze, vanilla glass	110 853bz/IN/MP	bronze, orange glass
110 851ch/MP	chrome, vanilla glass	110 853ch/MP	chrome, orange glass
110 851ch/IN/MP	chrome, vanilla glass	110 853ch/IN/MP	chrome, orange glass
110 851mc/MP	matte chrome, vanilla glass	110 853mc/MP	matte chrome, orange glass
110 851mc/IN/MP	matte chrome, vanilla glass	110 853mc/IN/MP	matte chrome, orange glass

INSTALLATION INSTRUCTIONS



INSTRUCTIONS FOR USE

- Insert screw (A) into the mounting plate (B). Align screws (A) with the J-box and tighten until firmly connected.
- There are markings on the cable wire (C) showing; L is for Line Voltage, N is for the Neutral Connection, and G is for the Ground Connection.

Warning! If cutting cable wire make note which side is L, N, and G.

- Adjust the cable length (C) by loosening center cable lock (D).
- Place the canopy cover (E) over the mounting plate (B) and secure it with the allen screw (F) located on the side of the base.