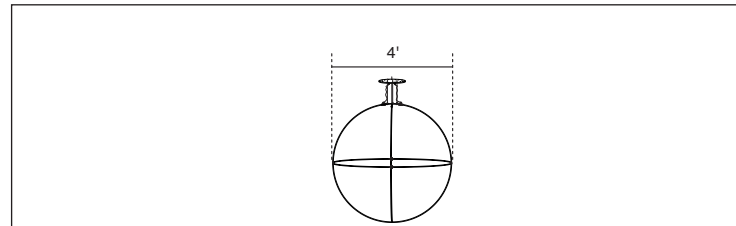


V/A SPHERE



**IMPORTANT SAFETY INSTRUCTIONS**

1. Read all of these installation Instructions before installing the track system.
2. Save these instructions and refer to them when additions to or changes in the track configuration are made.
3. THIS PRODUCT MUST BE INSTALLED BY A PERSON FAMILIAR WITH THE CONSTRUCTION AND OPERATION OF THE PRODUCT AND THE HAZARDS INVOLVED, IN ACCORDANCE WITH LOCAL NEC CODE.
4. FOR USE WITH V/A NETWORK ONLY.
5. Do not install the track or any part which contains exposed wires less than 7 feet from the floor.
6. Do not install this rail in damp or wet locations.
7. Do not install fixture assembly closer than 6 inches from any curtain, or similar combustible material.
8. Disconnect electrical power before adding to or changing the configuration of the track.
9. Do not attempt to energize anything other than lighting rail fixtures on the rail. To reduce the risk of fire and electrical shock, do not attempt to connect power tools, extension cords, appliances, and the like to the rail.
10. This track system MUST BE HARD WIRED. For all the wire connections, use Listed Wire Nuts.
11. Secondary connections must be clean and tight to avoid arcing and overheating!
12. Warranty is void in case of unauthorized modifications and/ or improper use.

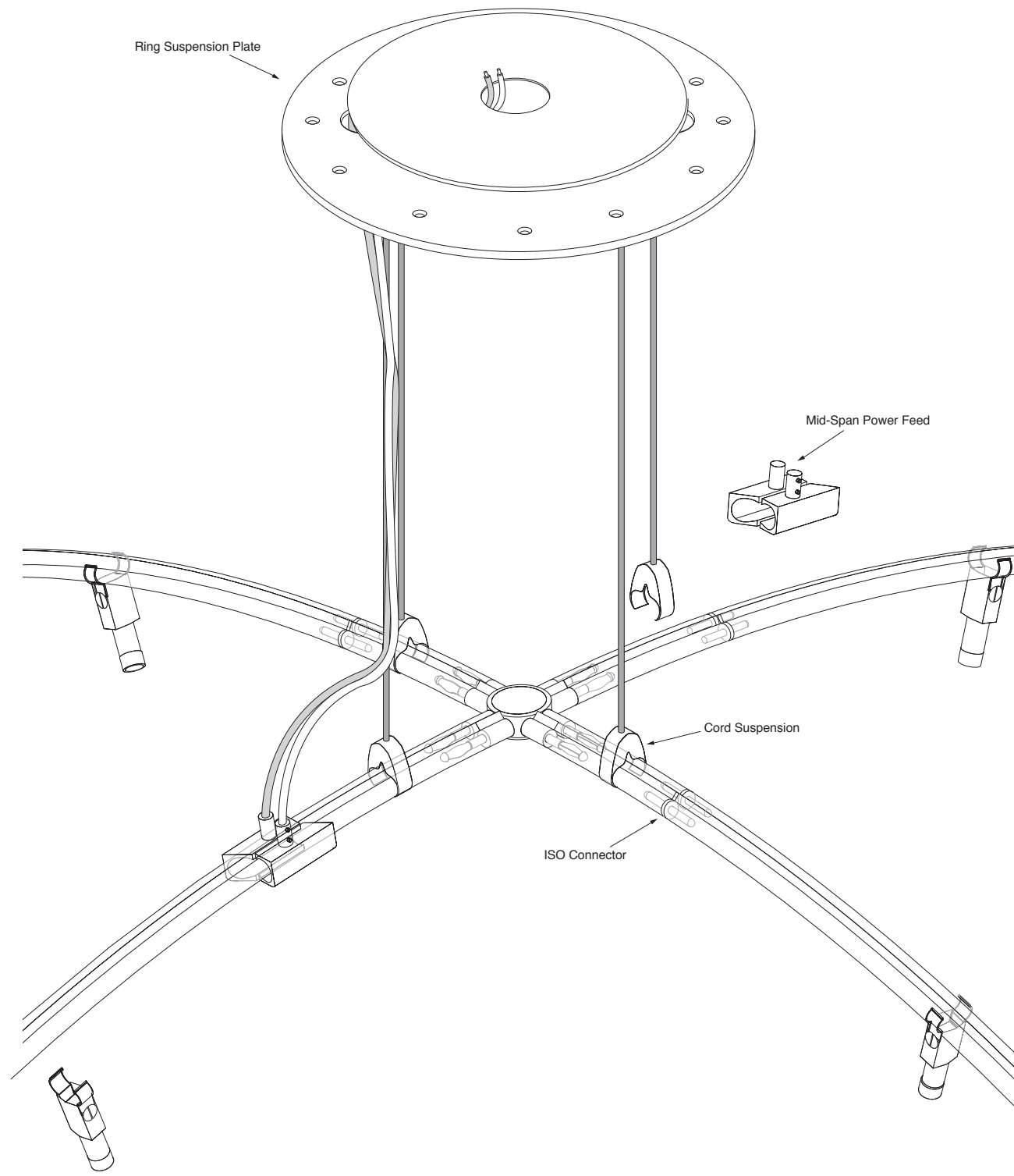
**READ ALL OF THESE INSTRUCTIONS BEFORE INSTALLATION**

V/A SPHERE PART NUMBERS

160 170bz	bronze
160 170ch	chrome
160 170mc	matte chrome

INSTALLATION INSTRUCTIONS

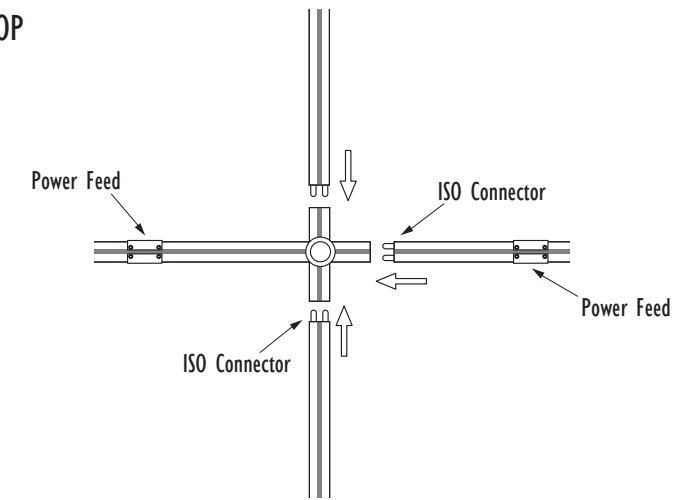
- Step 1:  
 Install the two power feeds on the curved track with a color label; place each set about 6" from the center of the top of the Sphere. See installation instructions for V/A Mid-Span Power Feed.
- Step 2:  
 Mount the Ring Suspension Plate to the desired mounting surface. See installation instructions for Ring Suspension Plate. The power supply cables should be feed through the feed holes on the plate and be long enough to reach the Sphere when hung at desired length.
- Step 3:  
 Connect the 4 Cord Suspension Clips to the Ring Suspension plate.
- Step 4:  
 Lift the entire Sphere up to the clips and clamp the track to the suspension. The Cord Suspension Clips should hang straight down to the Sphere.
- Step 5:  
 Connect the power supply cables to the power feeds. The power supply cables may be zip-tied to run along the suspension if desired.
- Step 6:  
 Connect the power supply cables to the remote transformer. See installation instructions for Remote Transformer.



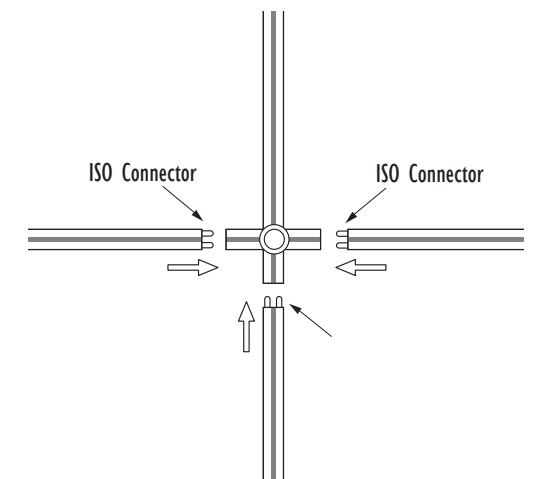
V/A SPHERE

**NOTE:** all drawings are from top view

TOP



BOTTOM



TOP

