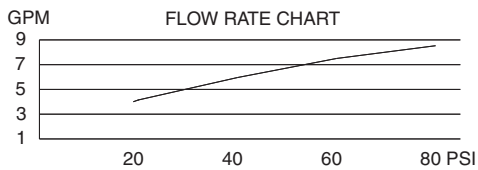


### SINGLE HANDLE PRESSURE BALANCE TUB & SHOWER FAUCET

#### Description

- Single handle with custom brass 6" thin profile showerhead
- All brass 15" shower arm
- Diverter on valve (Tub & Shower only)
- Back to back installation capabilities

#### Flow & Valving



#### Standards

- ASME A112.18.1
- CSA B125
- ASSE 1016
- Listed IAPMO/UPC
- Energy policy act of 1992
- ADA Accessibility Guidelines for Buildings and Facilities - 4.27.4 Controls and Mechanisms

#### Warranty

Danze products are covered by a manufacturer's limited "lifetime" warranty for manufacturing defects.



d500044 (shown)  
SIRIUS™

#### Available Colors & Finish

- Chrome
- Brushed Nickel (BN)

#### Trim Kits: (for use w/pressure balance valves)

- D500044T (Tub/Shower trim)
- D500544T (Shower only trim)
- D500644T (Tub trim w/valve escutcheon)

#### Special Packaging

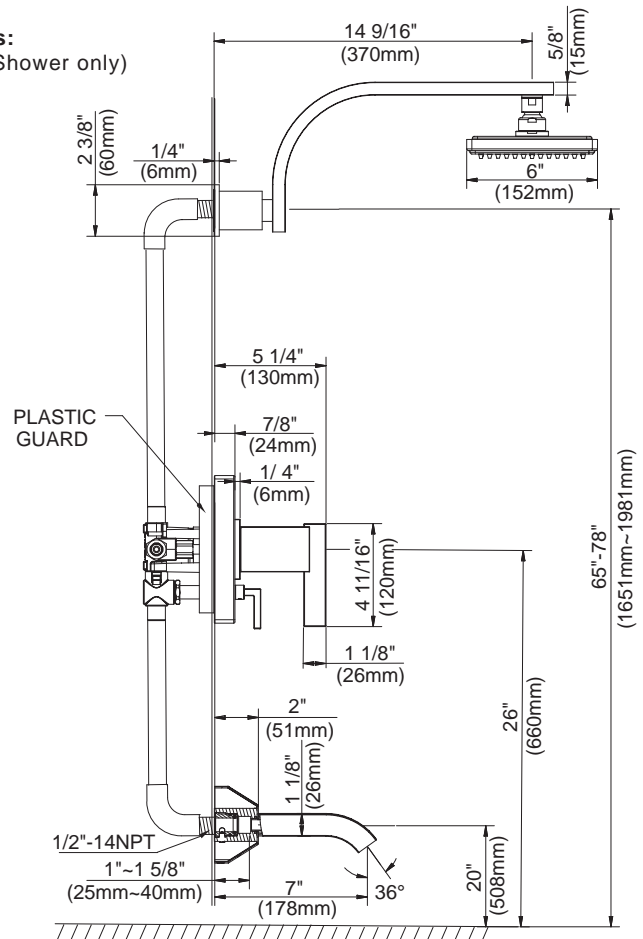
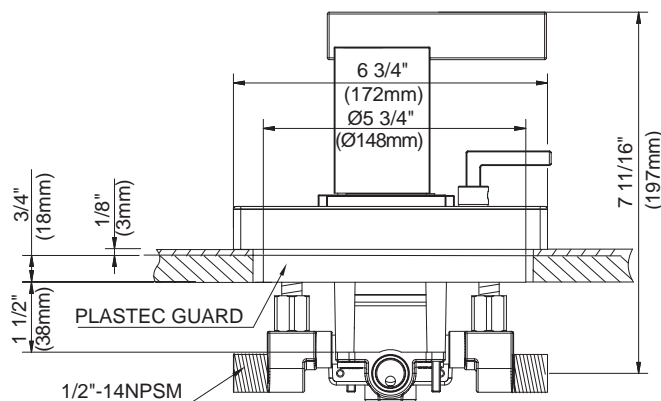
- This product also available with valve packaged separate from trim.
- Tub & Shower Trim Kit - use w/valve: D113000BT (w/diverter & stops)
- Shower Only & Tub Trim Kit - use w/valve: D112000BT (w/stops) or D115000BT (w/o stops)
- Pressure Balance Valves are combination 1/2" copper sweat, 1/2" NPT threaded connectors for all ports.

#### With Diverter & Stops:

d500044 (Tub/Shower)

#### With Stops:

d500544 (Shower only)



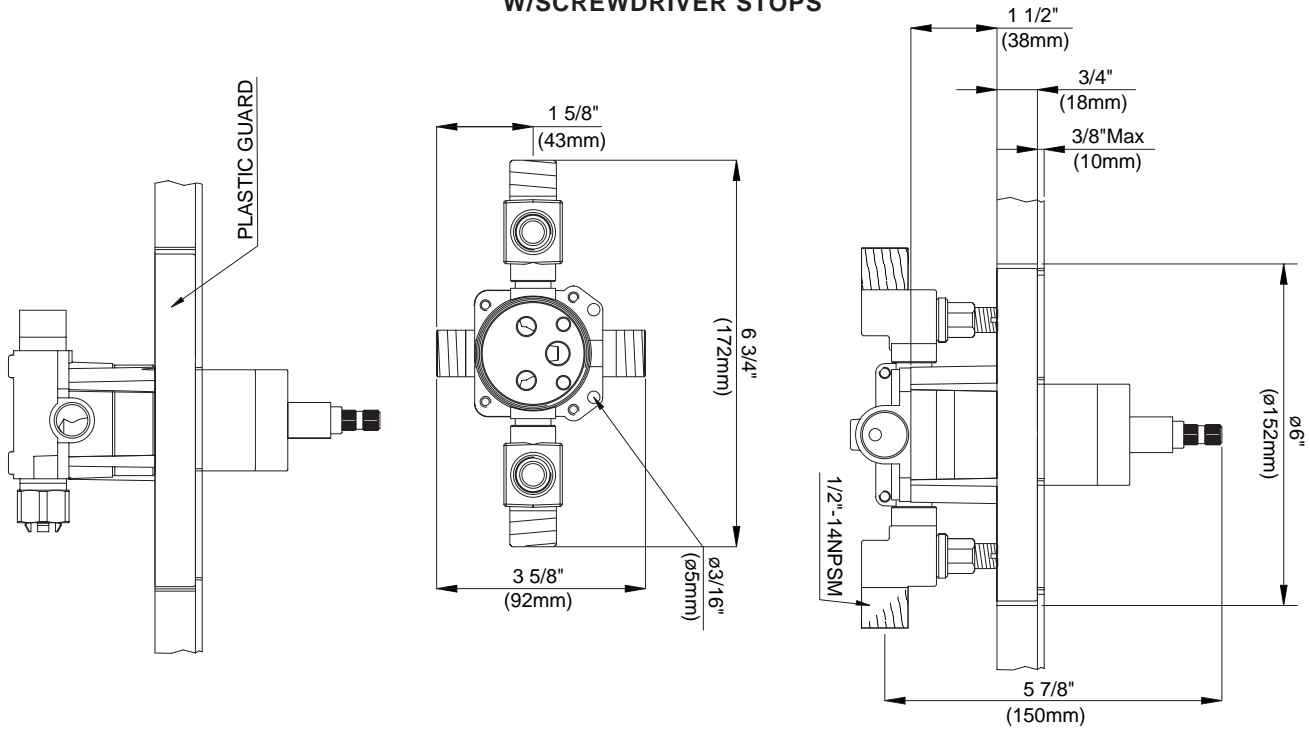
Specific Features: \_\_\_\_\_ Submitted Model No.: \_\_\_\_\_

SD500044/03-06.01

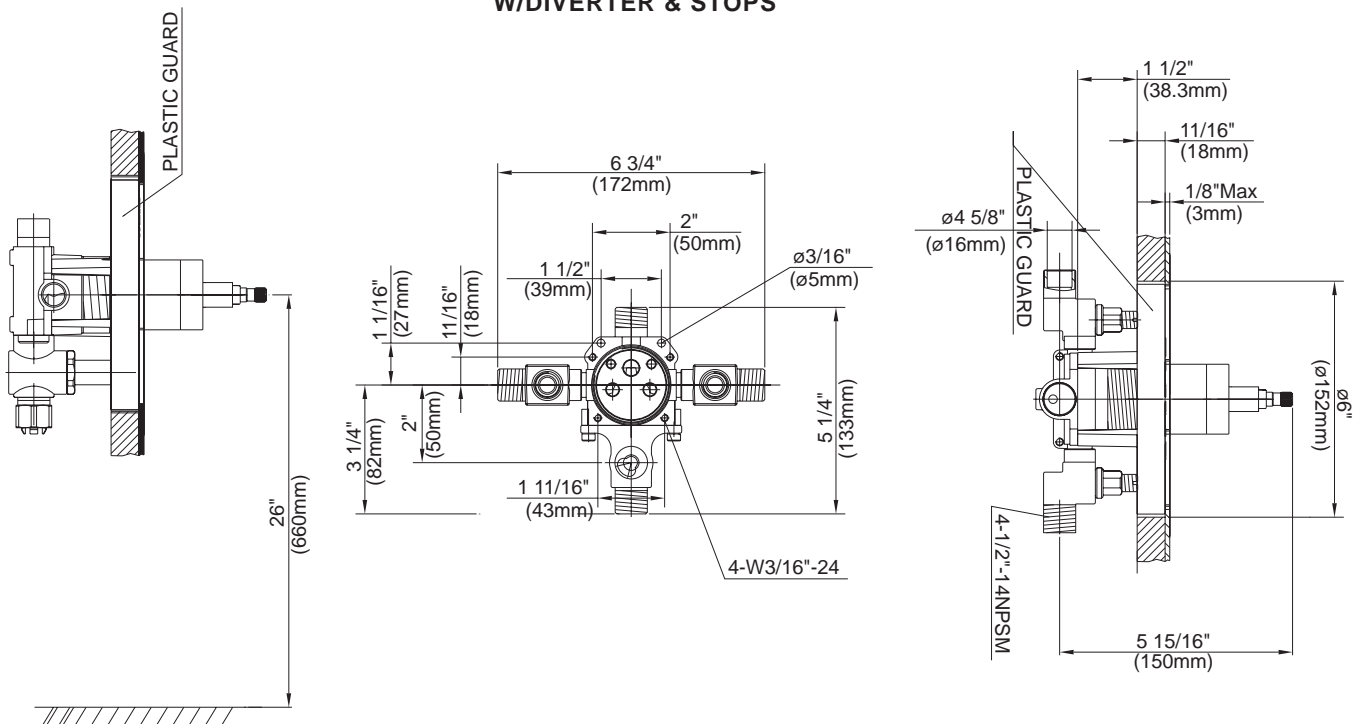
**SINGLE HANDLE PRESSURE BALANCE TUB & SHOWER VALVES**

Critical Dimensions : Rough-in valve D112000BT (w/stops) & D113000BT (w/diverter & stops)

**W/SCREWDRIVER STOPS**



**W/DIVERTER & STOPS**



Specific Features: \_\_\_\_\_ Submitted Model No.: \_\_\_\_\_