

SPECIFICATIONS

CIRTANGULAR® 2 PIECE TOILET

Model

DC023230 (2 Piece Toilet Bowl)
DC022221 (2 Piece Toilet Tank)

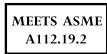
Description

- 3" flush valve technology with Fluidmaster® pilot valve
- Elongated bowl with 12" rough-in
- 16 1/2" rim height
- Fully glazed concealed trapway
- Water consumption rating: 1.6 gpf (6 Lpf)
- Accessories included: soft-close seat, matching color ceramic floor bolt cover plates (for Model #DC023230) and side mounted tank lever in Brushed Nickel finish (for Model # DC022221)

Standards



• UPC



• ASME A112.19.2



• CSA B45.1



• ADA Accessibility Guidelines for Buildings and Facilities - 4.16 Water Closets

Warranty

Five Year Limited Warranty (Vitreous China)

Technical Information

| | |
|---------------------------------|------------------------------------|
| Fixture: | |
| Configuration | two-piece, elongated |
| Water per flush | 1.6 gpf / 6 Lpf |
| Trapway | 2 1/8" (5.4 cm) |
| Water depth from rim | 5" (12.8 cm) |
| Water area | 8 1/2" (21.7 cm) x 10 5/8" (27 cm) |
| Seat post hole centers | 5 1/2" (14 cm) |
| Operating static pressure range | 20 to 80 psi |

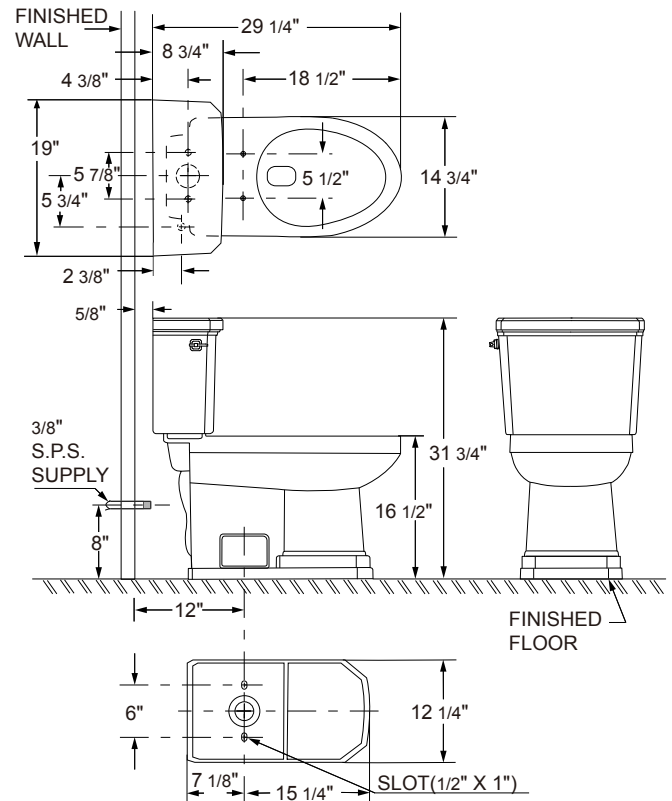
Optional Accessories

| Model | Description | Finish |
|-----------|------------------------------------|----------------|
| D497441 | Cirtangular® side mount tank lever | Chrome |
| D497441BN | Cirtangular® side mount tank lever | Brushed Nickel |
| D497441RB | Cirtangular® side mount tank lever | Oil Rub Bronze |



Colors Available

- White (WH)
- Biscuit (BC)



IMPORTANT: Dimensions of fixtures are nominal and may vary within the range of tolerance established by ASME Standard A112.19.2. These measurements are subject to change or cancellation. No responsibility is assumed for use of superseded or voided pages.

Submittal Information:

Job Name: _____
Contractor: _____

Location: _____
Contact #: _____