

# JUNEAU 1 LT Wall Mount

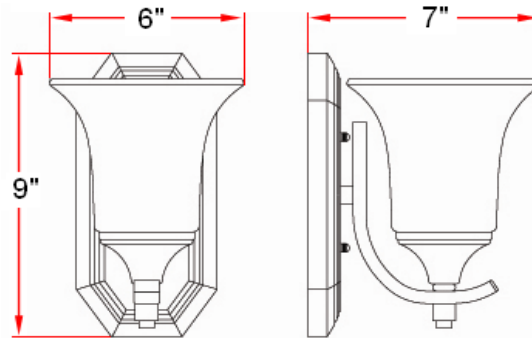


## Specifications

<b>Material Construction:</b>	Formed Steel
<b>Lens:</b>	Frosted glass
<b>Lamp Type &amp; Wattage:</b>	One 13W GU 24 CFL lamp (2700K)
<b>Mounting:</b>	Wall mounted; Suitable for up/down mounting
<b>Finish:</b>	Oil Rubbed Bronze (US10B)
<b>Voltage:</b>	120V
<b>Weight:</b>	2.12 lbs
<b>Companion Fixtures:</b>	Chandeliers, wall mounts, pendants & ceiling mounts



## Dimensions



## Warranty & Compliances

<b>Warranty</b>	2 Year Limited Warranty
<b>UL</b>	UL/cUL listed; Suitable for damp locations
<b>ADA</b>	N/A
<b>EnergyStar</b>	compliant



## Companion Fixtures

1 LT Wall Mount	515882	
1 LT Wall Sconce	515874	
2 LT Wall Mount	515890	
3 LT Vanity Light	515908	
4 LT Vanity Light	515916	
1 LT Ceiling Mount	515841	
2 LT Ceiling Mount	515858	
3 LT Ceiling Mount	515866	
3 LT Chandelier	515783	
5 LT Chandelier	515791	
9 LT Chandelier	515809	
Island Light	515817	
Pendant	515825	
Mini Pendant	515833	

**Type:**

**Job:**

**Order Code:**

**Approvals:**

Design House reserves the right to make changes in materials, specifications & models at any time. Design House also reserves the right to discontinue product without notice or obligation.