

EL27HIC

EL27HICA

6" Compact Fluorescent Vertical mounted lamp with integral fluorescent ballast. IC rated housing, adjusts 1 3/8" to accommodate ceiling thicknesses.

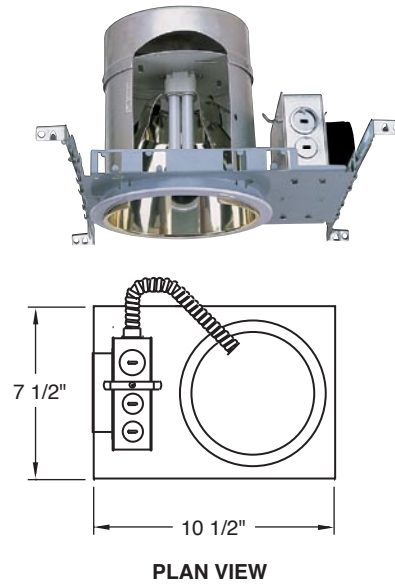
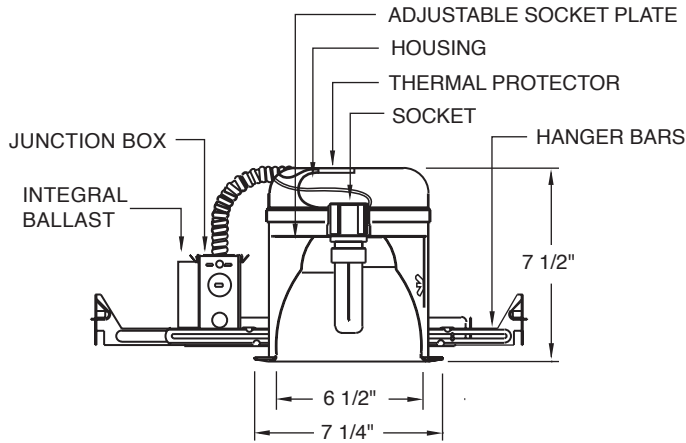
PROJECT INFORMATION:

Project Name: _____

Fixture Type: _____

Date: _____

DIMENSIONS



PRODUCT SPECIFICATIONS

Housing Features: For use in insulated ceilings. Integral thermal protector guards against improper lamping. Single wall construction.

The **EL27HICA** housings meets restricted air flow requirements.

Adjustable socket bracket allows the use of different lamp types and sizes as well as proper and consistent lamp positioning.

Lamp: Designed for (1) 13W PL/Quad compact fluorescent lamp

Trim Ring: Polycarbonate trim ring, metal trim ring, designed to conceal ceiling cutout.

EL27HIC = (2) 126W 2 Pin Quad 120V N.P.F. Ballast

EL27HICA = (2) 26W 2 Pin Quad 120V H.P.F. Ballast

INSTALLATIONS

Junction Box: Pre-wired junction box provided with 1/2" and 3/4" knockout. U.L. listed/C.U.L. listed: for through branch wiring, maximum (8) No. 12 AWG branch circuit conductors (4 in, 4 out). Junction box provided with removable access plates.

Mounting Frame: Stamped steel material and painted for corrosion resistance.

Labels:

- U.L. listed for damp locations.
- U.L. listed for feed through.
- U.L. listed for direct contact with insulation.

CATALOG NUMBER

Example:EL27HIC-ELA99SC

See trims page for variety of trims available

