

# EL7IC

## EL7ICA (air tight)

6" line voltage housing-Type IC  
For use in insulated ceilings  
New construction

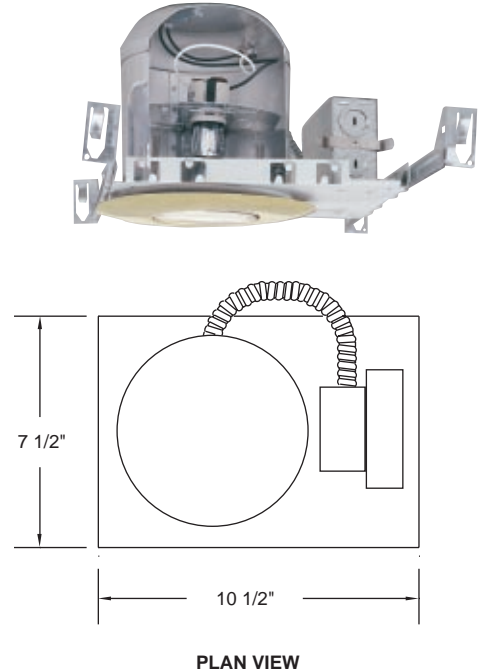
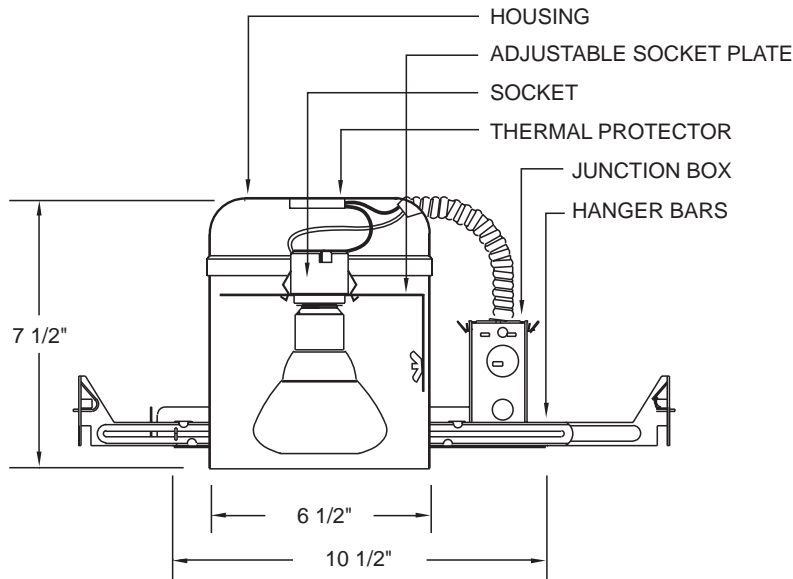
### PROJECT INFORMATION:

Project Name: \_\_\_\_\_

Fixture Type: \_\_\_\_\_

Date: \_\_\_\_\_

### DIMENSIONS



### PRODUCT SPECIFICATIONS

**Housing Features:** For use in insulated ceilings. Integral thermal protector guards against improper lamping. Single wall construction.

The EL7ICA housings meets restricted air flow requirements.

Adjustable socket bracket allows the use of different lamp types and sizes as well as proper and consistent lamp positioning.

**Lamp:** 120V, 90W Maximum.

**Lamp Holder:** Medium base socket.

**Trim Ring:** Polycarbonate trim ring, metal trim ring, or flanged design to conceal ceiling cutout.

### INSTALLATION

**Junction Box:** Pre-wired junction box provided with 1/2" and 3/4" knockout. U.L. listed/C.U.L. listed: for through branch wiring, maximum (8) NO. 12 AWG branch circuit conductors (4 in, 4 out). Junction box provided with removable access plates.

**Mounting:** Hanger bars span 24" joists and can be repositioned 90 degrees.

**Mounting Frame:** Stamped steel material and painted for corrosion resistance.

**Labels:**

- U.L. listed for damp locations.
- U.L. listed for feed through.
- U.L. listed for direct contact with insulation.

### CATALOG NUMBER

**Example:** EL7IC-ELM30W

See trims page for variety of trims available.