

# ELST20

LED Step Light  
Open Faceplate  
with Frosted Glass Lens

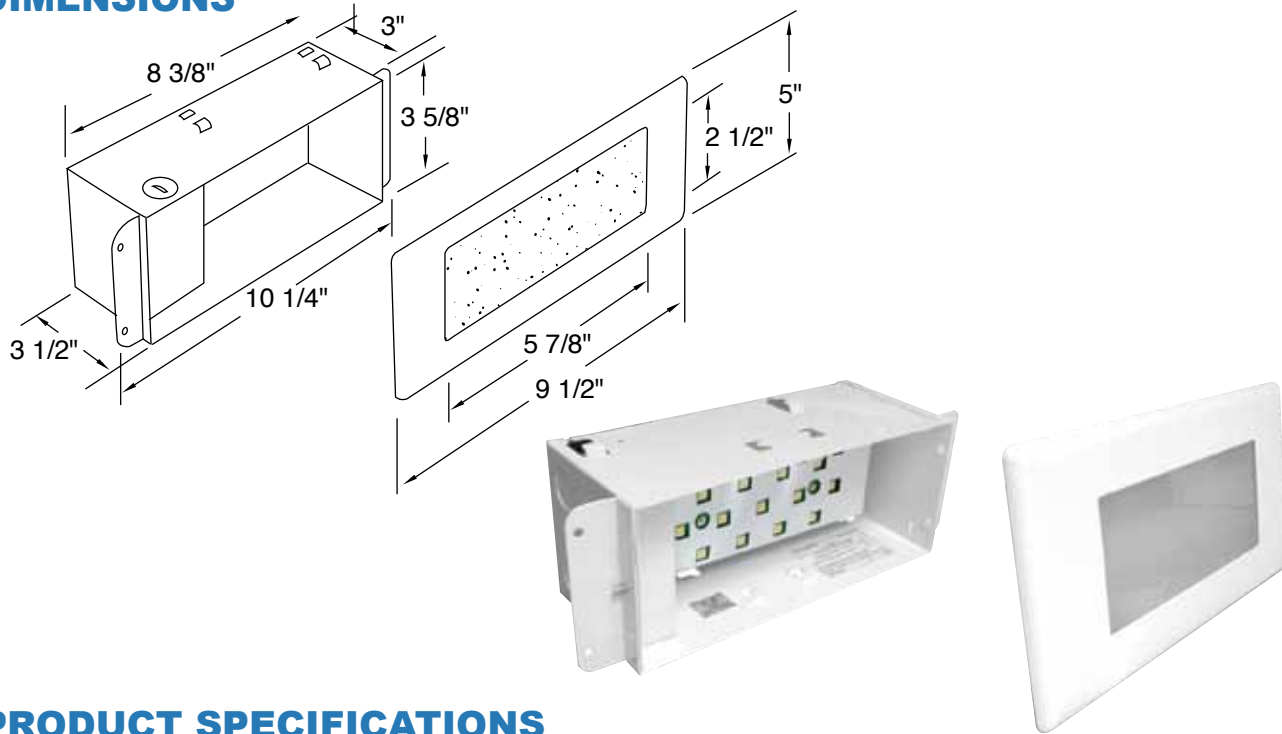
## PROJECT INFORMATION:

Project Name: \_\_\_\_\_

Fixture Type: \_\_\_\_\_

Date: \_\_\_\_\_

## DIMENSIONS



## PRODUCT SPECIFICATIONS

**Description:** LED step light, suitable for use on stairs, wall bases, or any indoor or outdoor applications requiring safe illumination in dark areas. Stamped painted steel housing, powder coated. (3) 1/2" knockouts are provided.

**Faceplate:** 9 1/2" x 5"

**Housing:** 8 3/8" x 3 5/8" x 3 1/2"

**Cutout:** 8 5/8" x 3 7/8"

**Lamp:** 120V, 60Hz, 18 LED Lights, 3000°K, 2.5W driver included, non-dimmable

**Finish:** Black, White or Bronze

## INSTALLATION

**Mounting:** Housing is mounted into wall by securing front bracket plates to joists. For wall recessed mounting only. Housing has hangar bar taps for optional hangar bar mounting (HB24 hangar bar).

**Labels:** U.L. listed for damp locations.

U.L. listed for direct contact with insulation (IC Housing).

U.L. listed for through wiring.

**Faceplate:** Open faceplate with frosted glass lens is secured to step light housing by 2 torsion springs, attached to internal bracket of housing.

## CATALOG NUMBER

**Example:** ELST20B (Black Face Plate)  
ELST20W (White Face Plate)  
ELST20BZ (Bronze Face Plate)