

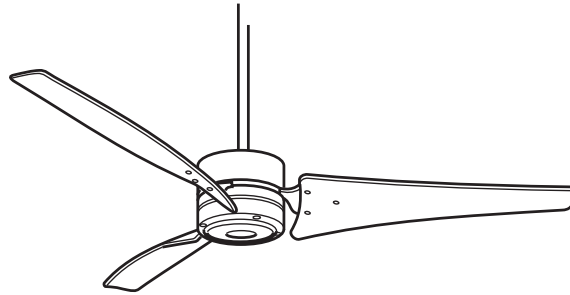
READ AND SAVE THESE INSTRUCTIONS



EMERSON[™]

60" Industrial Heat Fan Owner's Manual

Net Weight: 19.8 Lbs.



Model No.

HF1160BQ 00

HF1160BS 00

HF1160WW 00

LIMITED WARRANTY

What The Warranty Covers:

This warranty covers the motor and the other components and accessories of your Emerson ceiling fan against all defects in workmanship and materials. You must be the original purchaser or user of the product to be covered.

What The Period Of Coverage Is:

As it applies to the motor, this warranty will last for five years from the date you purchased your ceiling fan. All other components and accessories are covered by this warranty for one year from the date you purchased your ceiling fan. ANY IMPLIED WARRANTY OF MERCHANTABILITY OR FITNESS FOR A PARTICULAR PURPOSE, MADE WITH RESPECT TO COMPONENTS AND ACCESSORIES IS ALSO LIMITED TO ONE YEAR.

What Will Emerson Electric Co. Do To Correct Problems:

Emerson Electric Co. will replace a defective Emerson Air Comfort Ceiling Fan motor, blade, component or other accessory at no charge to you. If repair of the motor or blades is not practical or possible within a reasonable time and no replacement can be provided, Emerson Electric Co. will refund the actual purchase price of your fan. We will ship the repaired product or replacement to you at no charge, but you are responsible for all costs or removal, reinstallation and shipping of the product to Emerson Electric Co.

How Can You Get Service:

YOU MUST HAVE PROOF OF YOUR PURCHASE OF THE CEILING FAN TO OBTAIN LIMITED WARRANTY SERVICE. KEEP YOUR RECEIPT OR OTHER PROOF OF PURCHASE. You can return the product to our factory or to your nearest authorized service center.

- To return the product to the factory, obtain a return authorization and service identification tag by writing to Air Comfort Products, Division of Emerson Electric Co., 8100 W. Florissant Ave., St. Louis, MO 63136. Include all model numbers shown on the product with your request.
- To return the product to an authorized service center, call 1-800-654-3545 for the address of the nearest authorized service center.

You will be responsible for all insurance, freight or other transportation charges to our factory or authorized service center. Your Emerson Air Comfort Ceiling Fan should be properly packed to avoid damage in transit since we will not be responsible for any such damage.

What Is Not Covered:

The glass globes and light bulbs of your ceiling fan are not covered by this warranty. This warranty also does not cover any defects, malfunctions or failures caused by:

- Repairs by persons not authorized by Emerson Electric Co.,
- Use of parts or accessories not authorized by Emerson Electric Co.,
- Mishandling, improper installation, modifications or damage to your ceiling fan while in your possession, or
- Unreasonable use, misuse, abuse, including failing to do reasonable and necessary maintenance, and normal wear and tear.

Additionally, this warranty and any implied warranty of merchantability or fitness for a particular purpose are voided when:

- The original purchaser or user ceases to own the product, or
- The fan is moved from its original point of installation.

This warranty is only valid within the 50 states of the United States and the District of Columbia. No other written or oral warranties apply, and no employee, agent, dealer or other person is authorized to give any warranties on behalf of Emerson Electric Co.

REPAIR, REPLACEMENT OR A REFUND ARE THE EXCLUSIVE REMEDIES AVAILABLE UNDER THIS WARRANTY AND EMERSON IS NOT RESPONSIBLE FOR DAMAGES OF ANY KIND, INCLUDING INCIDENTAL AND CONSEQUENTIAL DAMAGES. Incidental damages include but are not limited to such damages as loss of time and loss of use. Consequential damages include but are not limited to the cost of repairing or replacing other property which was damaged if this product does not work properly.

How State Law Relates To The Warranty:

Some states do not allow the exclusion or limitation of incidental or consequential damages so the above exclusion or limitation may not apply to you. This warranty gives you specific legal rights, and you may also have other rights which vary from state to state.

⚠ WARNING

WARNING: To avoid fire, shock, and serious personal injury, follow these instructions.

Safety Instructions

1. Read your owner's manual carefully and keep it for future reference.
2. Before servicing or cleaning unit, switch power off at service panel and lock service panel disconnecting means to prevent power from being switched on accidentally. When the service disconnecting means cannot be locked, securely fasten a warning device, such as a tag, to the service panel.
3. Be careful of the fan and blades when cleaning, painting, or working near the fan. Always turn off the power to the ceiling fan before servicing.
4. Suitable for use with solid-state speed controls.
5. Do not bend the blade flanges when installing the blades, balancing the blades, or cleaning the fan. Do not insert foreign objects in between the rotating blades.

Additional Safety Instructions for Installation

1. To avoid possible shock, be sure electricity is turned off at the fuse box before wiring, and do not operate fan without blades.
2. All wiring must satisfy National and Local Electrical Codes. Use the National Electrical Code if Local Codes do not exist. The ceiling fan must be grounded as a precaution against possible electrical shock. Electrical installation should be made or approved by a licensed electrician.
3. The outlet box and joist must be securely mounted and capable of reliably supporting at least 50 pounds. Use only U.L. outlet boxes listed as "Acceptable for Fan Support of 50 lbs or less", and use the mounting screws provided with the outlet box. Most outlet boxes commonly used for support of light fixtures are not acceptable for fan support and may need to be replaced. Consult a qualified electrician if in doubt.
4. The fan must be mounted with the fan blades at least 10 feet from the floor to prevent accidental contact with the fan blades.
5. Suitable for use with solid-state speed controls.
6. Always properly connect the safety cable included with this fan (follow the "Installation Instructions" section carefully).
7. The support beam or joist must be secure and capable of supporting at least 50 pounds.
8. Follow the recommended instructions for the proper method of wiring your ceiling fan. If you do not know enough about electrical wiring, have your fan installed by a licensed electrician.

WARNING: To avoid fire, shock or injury, do not use an Emerson or any other brand of control not specifically approved for this fan.

WARNING: This product is designed to use only those parts supplied with this product and/or any accessories designated specifically for use with this product by Emerson Electric Co. Substitution of parts or accessories not designated for use with this product by Emerson Electric Co. could result in personal injury or property damage.

WARNING: To Reduce the risk of personal injury, do not bend the blade flange when installing the blade flanges, balancing the blades or cleaning the fan. Do not insert foreign objects in between rotating fan blades.

DATE CODE: _____

The date code of this fan may be found on the box, stamped in ink on a white label.

You should record this data above and keep it in a safe place for future use.

Checking Contents of Package

1. Unpack the items carefully to avoid damage to any of the components.

Check to see that you have received the following parts:

NOTE: If you are uncertain of part description, refer to the exploded view illustration.

- a. Fan motor assembly
- b. One ceiling cover
- c. One motor cover
- d. Three fan blade assemblies
- e. One hanger bracket
- f. One hanger ball/downrod assembly
- g. One loose parts bag, containing:
 1. One clevis pin
 2. One hairpin clip
 3. Three wire connectors
 4. Seven M6-1.0 x 12mm Phillips hex head screws
 5. Seven split lockwashers
 6. Seven flat washers
 7. Two M4-0.7 x 1mm pan head knurled screws
 8. Two M4 external tooth lockwashers
 9. Two 8-32 knurled nuts
 10. Two #8 external tooth lockwashers
 11. Two 8-32 x 0.75" threaded studs
 12. Two safety wire clamps
 13. One eye screw
 14. One setscrew wrench

NOTE: Intermixing blades between fans can cause excessive wobble. Keep blades in original sets of three.

⚠ WARNING

Do not install or use fan if any part is damaged or missing. Call Toll-Free:

1-800-654-3545

⚠ WARNING

This product is designed to use only those parts supplied with this product and/or any accessories designated specifically for use with this product by Emerson Electric Co. Substitution of parts or accessories not designated for use with this product by Emerson Electric Co. could result in personal injury or property damage.

Electrical Requirements

Your new ceiling fan will require a grounded electrical supply line of 120 volts AC, 60 Hz, 15 amp circuit.

The outlet box must be securely anchored and capable of withstanding a load of at least 50 pounds.

⚠ WARNING

To reduce the risk of fire, electric shock, or personal injury, mount fan to outlet box marked "Acceptable for Fan Support of 50 lbs. or less", and use screws supplied with outlet box. Most outlet boxes commonly used for support of light fixtures are not acceptable for fan support and may need to be replaced. Consult a qualified electrician if in doubt.

If your fan is to replace an existing ceiling light fixture, turn electricity off at the main fuse box at this time and remove the existing light fixture.

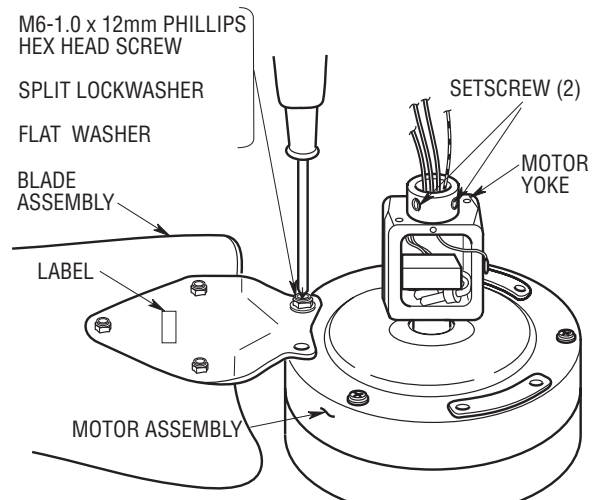
⚠ WARNING

Turning off wall switch is not sufficient. To avoid possible electrical shock, be sure electricity is turned off at the main fuse box before wiring. All wiring must be in accordance with National and Local codes and the ceiling fan must be properly grounded as a precaution against possible electrical shock.

Assembly Instructions

CAUTION: The blade assemblies must be mounted on the motor assembly so that the "This Side Up" label is visible at the top of the motor (Figure 1).

1. Install one blade assembly on the top of the motor assembly using two M6-1.0 x 12mm Phillips hex head screws, two split lockwashers and two flat washers (supplied) (Figure 1). Repeat this procedure for the remaining two blade assemblies.



3 Figure 1

U.L. Model No.: HF1160

- 2. Using the setscrew wrench (supplied), remove the two setscrews from the top of the motor yoke (Figure 1). Retain the setscrews for future use.
- 3. Route the three 48" motor leads and the safety cable through the center hole in the motor cover. Align the two holes in the motor cover with the threaded holes in the motor yoke and secure by installing two M4-.7 x 10mm pan head knurled screws and two M4 external tooth lockwashers (supplied) (Figure 2).

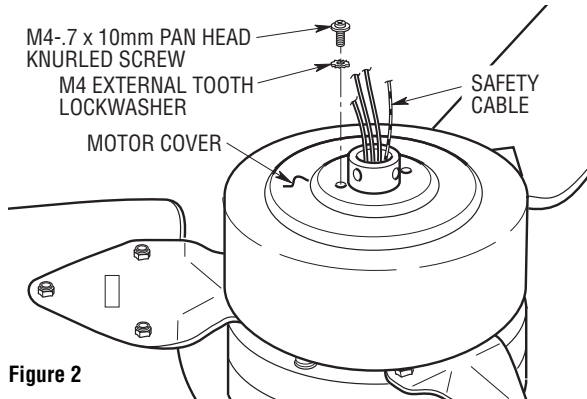


Figure 2

- 4. Route the three motor leads and the safety cable through the center hole in the ceiling cover and position the ceiling cover over the motor yoke (Figure 3).
- 5. Separate, untwist and unkink the three motor leads and the safety cable, then route them through the hanger ball/downrod assembly and seat the downrod in the motor yoke (Figure 3).

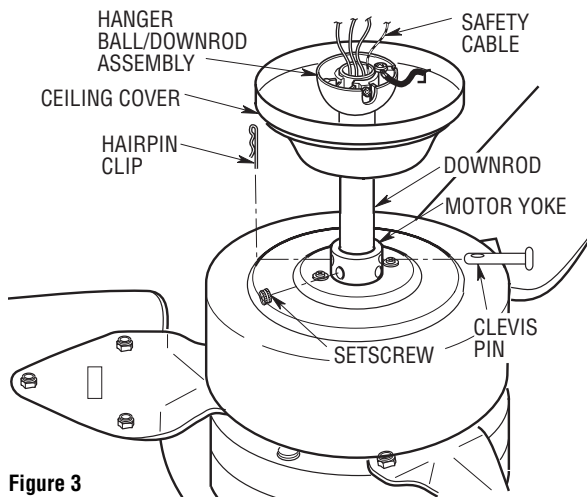


Figure 3

- 6. Align the clevis pin holes in the downrod with the holes in the motor yoke. Install the clevis pin and secure with the hairpin clip (Figure 3). The clevis pin must go through the holes in the motor yoke. It is critical that the clevis pin in the motor yoke is properly installed and the setscrews securely tightened. Failure to verify that the pin and setscrews are properly installed could result in the fan falling.

⚠ WARNING

It is critical that the clevis pin in the motor coupling is properly installed and the setscrews securely tightened. Failure to verify that the pin and setscrews are properly installed (as shown in Figure 3) could result in the fan falling.

- 7. Install two setscrews (previously removed in Step 2) in the motor yoke (Figure 3). While pulling up on the hanger ball, securely tighten both setscrews using the setscrew wrench (supplied).

NOTE: The setscrews must be properly installed as described above, or fan wobble could result.

⚠ WARNING

The fan must be hung with at least 10' of clearance from floor to blades (Figure 4).

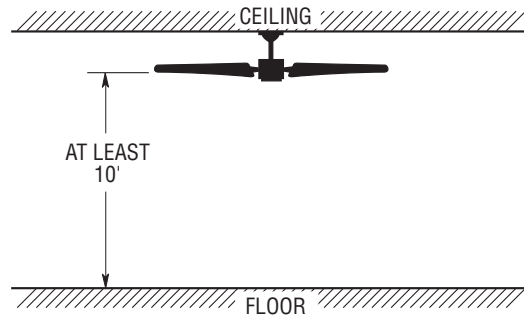


Figure 4

⚠ WARNING

The outlet box and joist must be securely mounted and capable of supporting at least 50 lbs. Use only a U.L. outlet box listed as "Acceptable for Fan Support of 50 lbs. or less".

⚠ WARNING

To reduce the risk of fire, electric shock, or personal injury, mount fan to outlet box marked "Acceptable for Fan Support of 50 lbs. or less", and use screws supplied with outlet box. Most outlet boxes commonly used for support of light fixtures are not acceptable for fan support and may need to be replaced. Consult a qualified electrician if in doubt.

- 8. Securely attach the hanger bracket to the outlet box using the two screws supplied with the outlet box (Figure 5).

⚠ WARNING

Hanger bracket must seat firmly against outlet box. If the outlet box is recessed, remove wall board until bracket contacts box. If bracket and/or outlet box are not securely attached, the fan could wobble or fall.

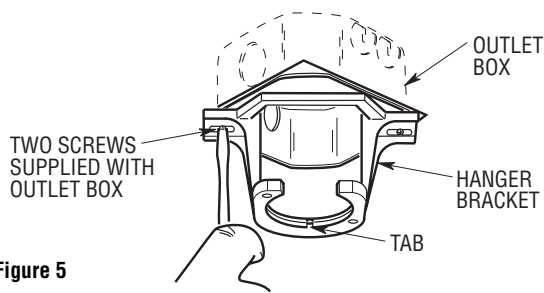


Figure 5

- 9. Screw the eye screw (supplied) into the joist 7 inches from the center of the ceiling outlet box (Figure 6).

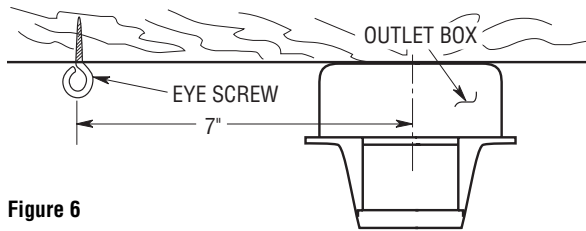


Figure 6

- 10. Carefully lift the fan and seat the hanger ball/downrod assembly on the hanger bracket that was just attached to the outlet box (Figure 7). Be sure the groove in the ball is lined up with the tab on the hanger bracket (Figure 5).

⚠ WARNING

Failure to seat tab in groove could cause damage to electrical wires and possible shock or fire hazard.

NOTE: CEILING COVER, SUPPLY WIRES AND FAN WIRES OMITTED FOR CLARITY.

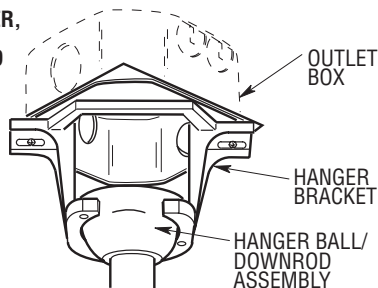


Figure 8

⚠ WARNING

To avoid possible fire or shock, do not pinch wires between the hanger ball/downrod assembly and hanger bracket.

If you feel that you do not have enough electrical wiring knowledge or experience, have your fan installed by a licensed electrician.

⚠ WARNING

To avoid possible electrical shock, be sure electricity is turned off at the main fuse box before wiring.

NOTE: If you are not sure if the outlet box is grounded, contact a licensed electrician for advice, as it must be grounded for safe operation.

- 11. Connect the green grounding wire from the hanger ball, the green grounding wire from the hanger bracket, and the green grounding wire from the fan to the grounding conductor of the supply (this may be a bare wire or wire with green colored insulation). Securely connect wires with wire connectors (supplied) (Figure 8).

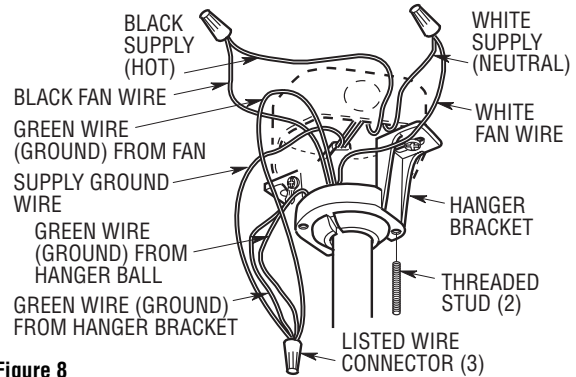


Figure 8

- 12. Securely connect the fan motor white wire to the supply white (neutral) wire using wire connector supplied (Figure 8). Securely connect the fan motor black wire to the supply black (hot) wire using wire connector supplied (Figure 8). After connections have been made, turn leads upward and carefully push the leads into the outlet box, with the wires spread apart and the white and green leads on one side of the outlet box and the black leads on the other side of the outlet box.

⚠ WARNING

Check to see that all connections are tight, including ground, and that no bare wire is visible at the wire connectors, except for the ground wire. Do not operate fan until blades are in place. Noise and fan damage could result.

- 13. Screw the two 3/4" threaded studs (supplied) into the tapped holes in the hanger bracket (Figure 8).
- 14. Lift the ceiling cover up to the threaded studs and turn until studs protrude through the holes in the ceiling cover (Figure 9).
- 15. Secure the ceiling cover in place by sliding lockwashers over the threaded studs and installing the two knurled knobs (supplied) (Figure 9). Tighten the knurled knobs securely until the ceiling cover fits snugly against the ceiling. Your fan is now wired to be turned on and off from the wall switch.

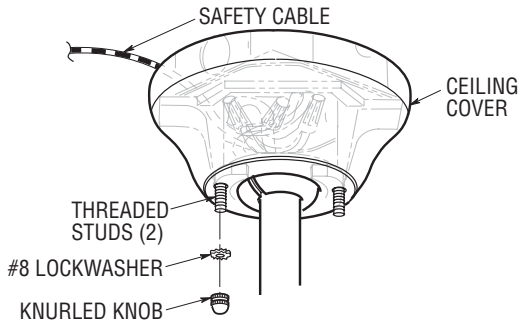


Figure 9

⚠ WARNING
To avoid possible fire or shock, make sure that the electrical wires are completely inside the outlet box and not pinched between the ceiling cover and the ceiling.

- 16. Pass the end of the safety cable through the two cable clamps (supplied) (Figure 10). Pass the end of the safety cable through the eye screw and then back through the two cable clamps.

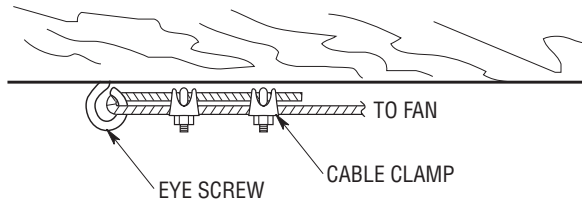


Figure 10

CAUTION: It is important to note the proper installation position of the cable clamps as illustrated in Figure 10. **TO** obtain maximum holding power, install U-bolt section of clip on dead or short end of cable and saddle on long end of cable. Improper installation reduces the efficiency of the connection by as much as 40 percent.

- 17. After verifying that the cable clamps are positioned properly on the safety cable, tighten the nuts on the U-bolts. Leave one or two inches of slack in the safety cable before tightening the nuts. Cut off the excess cable.
- 18. If a remote speed control is to be used, refer to the Owner's Manual included with the control for proper installation and wiring.
- 19. After completing the installation, restore the power and test run the fan.

NOTE: When any solid state motor speed control is used, a humming noise may be present in the fan on low speed. This hum in no way affects the operation of the fan and is acceptable in most industrial installations.

Maintenance

IMPORTANT CARE INSTRUCTIONS for your Ceiling Fan

Periodic cleaning of your new ceiling fan is the only maintenance that is needed.

When cleaning, use only a soft brush or lint free cloth to avoid scratching the finish.

Abrasive cleaning agents are not required and should be avoided to prevent damage to finish.

⚠ WARNING
Do not use water when cleaning your ceiling fan. It could damage the motor or the blades and create the possibility of an electrical shock.

Accessories

1. Ceiling Fan Controls (see store or catalog).
2. Downrod Extension Kits (see store or catalog).

⚠ WARNING
The use of any other control not specifically approved for this fan could result in fire, shock and personal injury.

⚠ WARNING
This product is designed to use only those parts supplied with this product and/or any accessories designated specifically for use with this product by Emerson Electric Co. Substitution of parts or accessories not designated for use with this product by Emerson Electric Co. could result in personal injury or property damage.

Repair Parts Listing

Key No.	Description	Part Numbers		
		Model No. HF1160BQ 00	Model No. HF1160BS 00	Model No. HF1160WW 00
*	Hanger Ball Assembly, Consisting of:	761655-78	761655-27	760750-47
1	Hanger Bracket	—	—	—
2	Hanger Ball	—	—	—
3	Downrod - 6"	—	—	—
*	Parts Bag Containing:	762499	762499	762499
4	Wire Connector (3)	—	—	—
5	Pin, Clevis	—	—	—
6	Clip, Hairpin	—	—	—
7	Nut, Knurled, 8-32 (2)	—	—	—
8	Lockwasher, External Tooth, #8 (2)	—	—	—
9	Stud, Threaded, 8-32 x .75" (2)	—	—	—
10	Screw, Phillips Hex Head, M6-1.0 x 12mm (7)	—	—	—
11	Lockwasher, Split (7)	—	—	—
12	Washer, Flat (7)	—	—	—
13	Screw, Pan Head Knurled, M4-.7 x 10mm (2)	—	—	—
14	Lockwasher, External Tooth, M4 (2)	—	—	—
15	Wrench, Setscrew	—	—	—
16	Clamp, Safety Wire (2)	—	—	—
17	Screw, Eye	—	—	—
18	Cover, Ceiling	762516-BQ	762516-5	762516-15
19	Cover, Motor	762494-BQ	762494-BS	762494-1
20	Capacitor, 4.5 uF	762493	762493	762493
21	Blade-Flange Assembly (set of 3)	762535-BQ	762535-BS	762535-WW
—	Owner's Manual	BP7272-2	BP7272-2	BP7272-2

Before discarding packaging material, be certain all parts have been removed.

HOW TO ORDER REPAIR PARTS

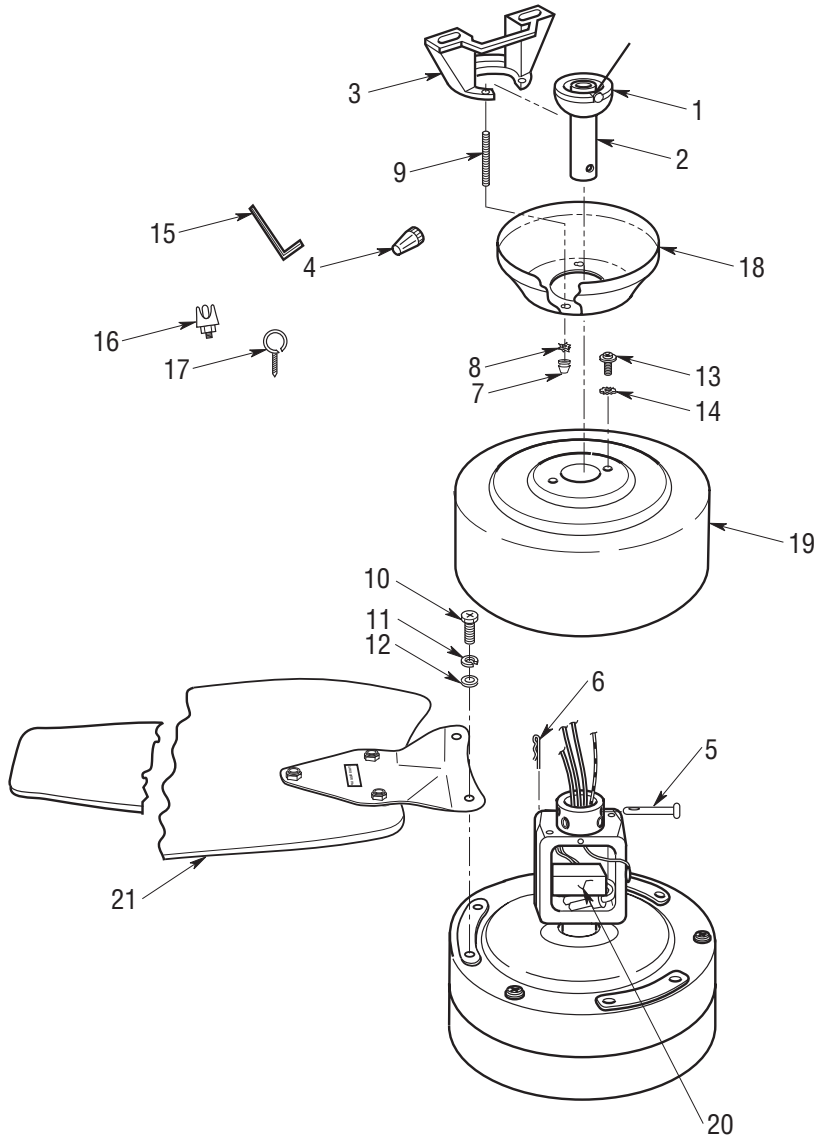
WHEN ORDERING REPAIR PARTS, ALWAYS GIVE THE FOLLOWING INFORMATION:

- PART NUMBER
- NAME OF ITEM
- PART DESCRIPTION
- MODEL NUMBER

The model number of your Fan will be found on a label attached to the top housing.

For repair parts, phone 1-800-654-3545.

Repair Parts



EMERSON

Air Comfort Products
DIVISION OF EMERSON ELECTRIC CO.
8100 W. Florissant • St. Louis, MO 63136