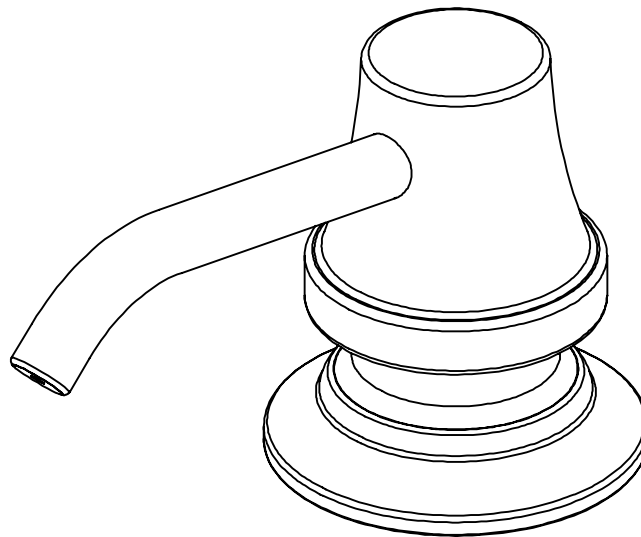


Instructions

40000-CH – Chrome
40000-BN – PVD Brushed Nickel
40000-BB – Brushed Bronze



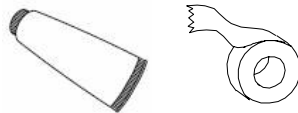
Soap Dispenser



*Image may vary slightly from actual product

Tools Required

Silicone sealant
Pipe Tape



Contact Us

For customer service please call 877-319-3757, or go to homewerksww.com.

Maintenance

Your new soap dispenser is designed for years of trouble-free performance.

Keep it looking new by cleaning it periodically with a soft cloth. Avoid abrasive cleaners, steel wool, and harsh chemicals as these will dull the finish and void your warranty.

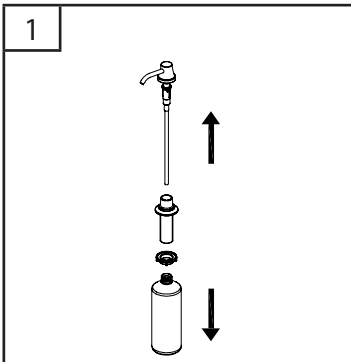
Instructions



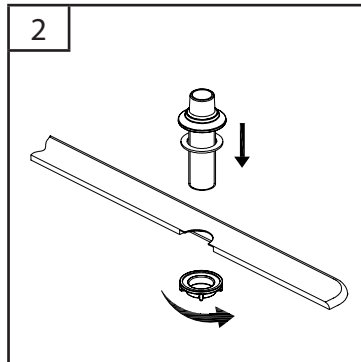
40000-CH – Chrome
40000-BN – PVD Brushed Nickel
40000-BB – Brushed Bronze

Soap Dispenser

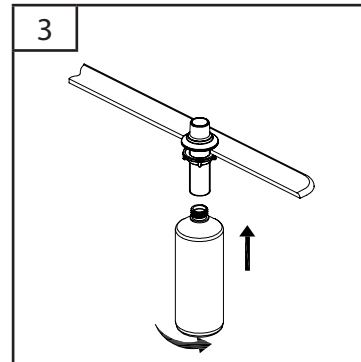
Preparations / Assembly



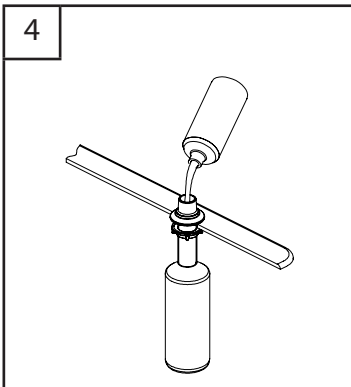
Remove the bottle. Separate soap dispenser head from flange body assembly.



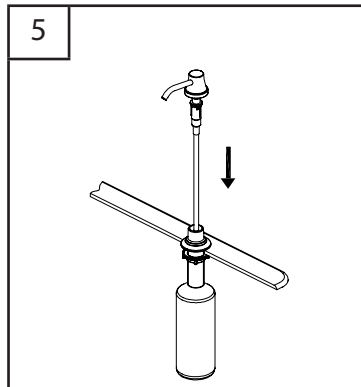
Insert body assembly through selected hole in sink. Secure body to sink by screwing the mounting nut from the underside of the sink clockwise. Hand tighten only.



Screw bottle clockwise onto body assembly shank.



Pour soap (not included) into the top of the flange.



Reinsert soap dispenser head onto top of the flange.

Specifications

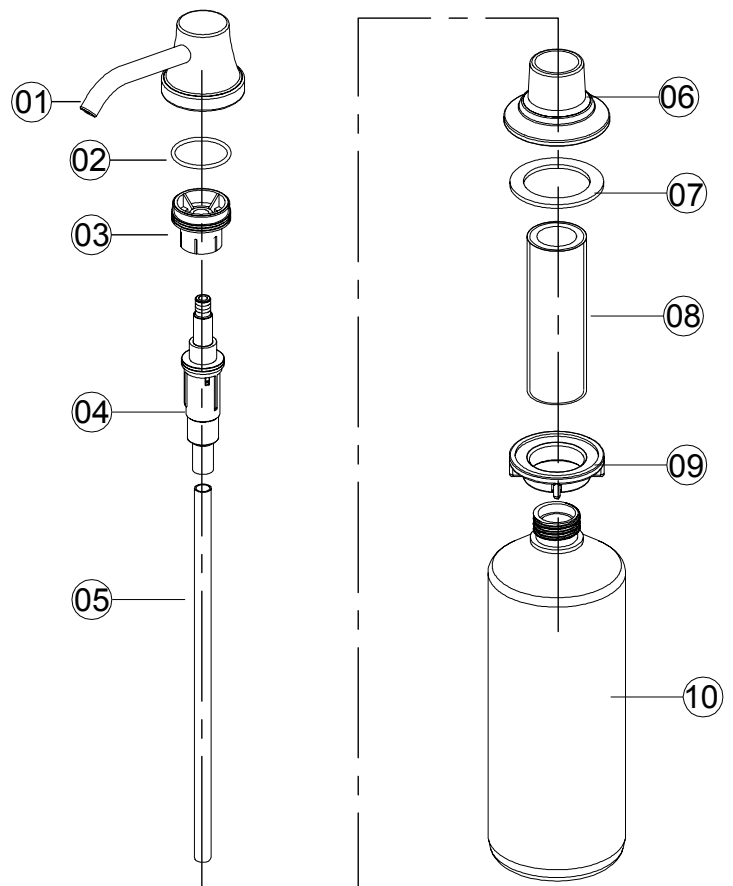


40000-CH – Chrome
40000-BN – PVD Brushed Nickel
40000-BB – Brushed Bronze

Physical Characteristics

- Description: Soap Dispenser
- Head Material: Cast brass
- Body Material: Plastic
- Flange Material: ABS
- Spring Material: HDPE
- Body Capacity: 500mL
- Total Weight of Item: 183g

No.	Part Description	Material
1	Dispenser head	Brass
2	O-ring	
3	Seat	
4	Pump	
5	Straw	
6	Flange	ABS
7	Washer	
8	Shank	
9	Mounting nut	
10	Bottle	



Rough-in

- 40000-CH - Chrome
- 40000-BN - PVD Brushed Nickel
- 40000-BB - Brushed Bronze

Soap Dispenser

