

Instructions

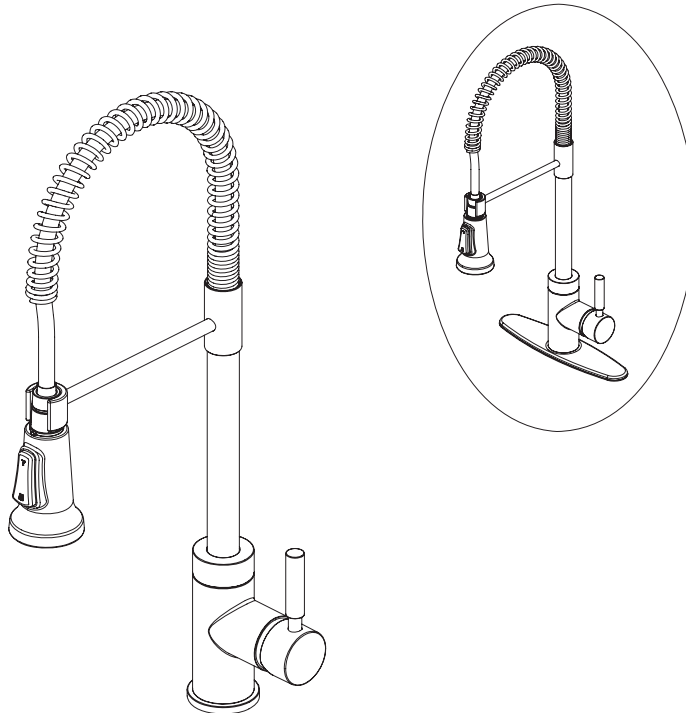
15-51121-CH – Chrome
15-51121-SS – Stainless Steel



Certifications



Single Handle, Industrial Style, Pull-Down Kitchen Faucet



*Image may vary slightly from actual product

Tools Required

Adjustable Wrench
Groove Joint Pliers
Pipe Wrench
Phillips Screwdriver
Pipe Tape or pipe thread compound



Safety Tips

If you solder the joints during installation of the faucet, the seats, cartridges, and washers must be removed before using a flame or the warranty will be voided on these parts.

Protect your eyes with safety glasses when cutting or soldering water supply lines.

Cover the sink drain to avoid losing parts.

Things You May Need

Installations may vary depending on how the previous faucet was installed. Supplies necessary for the installation of your faucet are not all included; however, they are available wherever plumbing supplies are sold.

Maintenance

Your new kitchen faucet is designed for years of trouble-free performance.

Keep it looking new by cleaning it periodically with a soft cloth. Avoid abrasive cleaners, steel wool, and harsh chemicals as these will dull the finish and void your warranty.

Important Points

Prior to beginning installation, turn off the hot and cold water lines, then turn on the old faucet to release built-up pressure. When installing your new faucet, turn the connector nuts finger tight, then use one wrench to hold the fitting and a second wrench to tighten the nut. Connections that are too tight will reduce the integrity of the system.

Wrap all threaded connections with PTFE pipe tape available at your local hardware or plumbing supply store. Always wrap in a clock-wise direction.

Contact Us

For Customer Service please call 877-319-3757, or go to homeworksww.com.

Instructions

15-51121-CH – Chrome
15-51121-SS – Stainless Steel



Certifications



Single Handle, Industrial Style, Pull-Down Kitchen Faucet

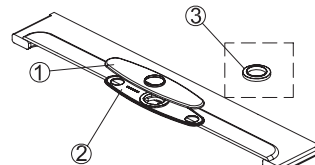
Preparation and Assembly

1



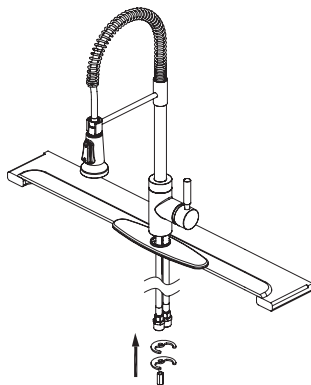
Locate water supply inlet and shut off water supply valve. These are usually found under the sink or near the water heater. Remove old faucet. Clean and dry sink surface area where new faucet will be mounted.

2



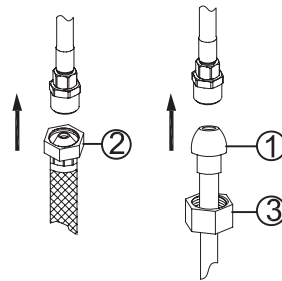
Place base plate (#2) and escutcheon (#1) on the sink. If you have no use for the escutcheon, please use seat (#3) to replace escutcheon and base plate.

3



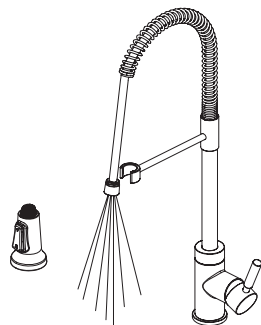
Insert supply hose assembly and thread rod through hole of sink (through center hole of escutcheon if used). Install rubber washer, metal washer and retaining nut onto the threaded rod. Firmly tighten retaining nut. Do not overtighten.

4



Connect water supply lines.
(A) Use 1/2" IPS faucet supply lines or use coupling nuts (not supplied) with ball-nose risers (not included).
Turn water supply or shut-off valve back on and check for leaks. If leaks occur, gently tighten the faucet connections.

5



Turn on hot and cold water supplies. Remove the spray head. Be sure to hold the end of the hose down into the sink and turn faucet handle to the mixed position. Flush water lines for one minute. Check for leaks. Re-tighten if necessary, but do not overtighten. Attach the spray head to the hose.

Troubleshooting

15-51121-CH – Chrome

15-51121-SS – Stainless Steel



Certifications



Single Handle, Industrial Style, Pull-Down Kitchen Faucet

Troubleshooting

PROBLEM:

Leaks underneath handle and water does not completely shut off.

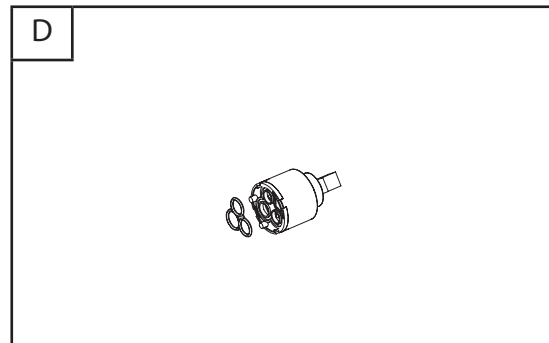
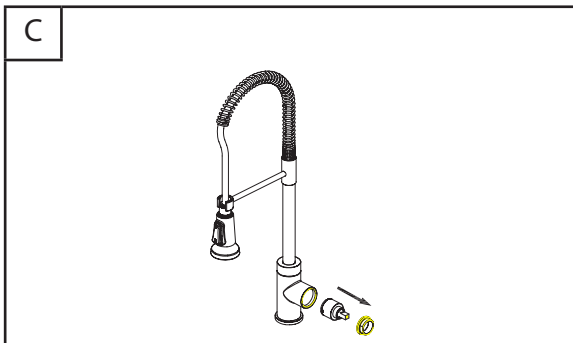
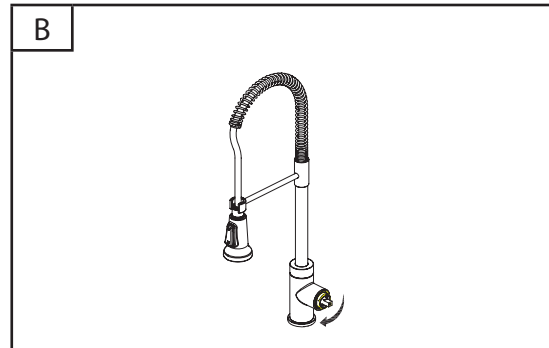
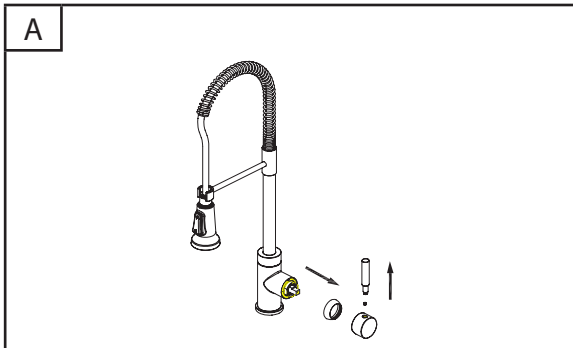
CAUSE: Bonnet nut has come loose or the cartridge is dirty or worn.

ACTION:

1. Remove the handle and loosen the set screw, then remove the handle seat and the cap (Diagram A).
2. Tighten the bonnet nut by turning it clockwise (Diagram B). Move the cartridge stem to the on position. The leak should stop draining out from around the cartridge stem.

3. If leak does not stop, shut off water supply. Remove the bonnet nut by turning it counter-clockwise. Lift out the cartridge (Diagram C). Clear the cartridge if it is dirty or replace the cartridge by calling Customer Service (Diagram D).

4. Position the cartridge back in the faucet body and tighten the bonnet nut and cap.
5. Reinstall the handle.



Specifications



Certifications

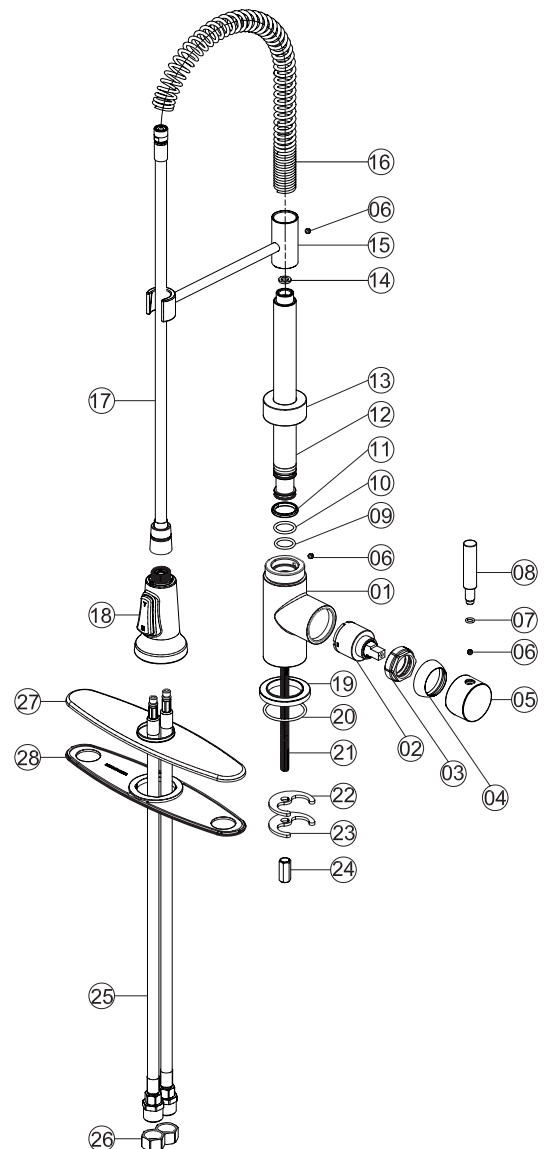


15-51121-CH – Chrome
15-51121-SS – Stainless Steel

Physical Characteristics

- Description: Single handle, industrial style kitchen faucet with 8" center distance, pull-down spray, ceramic cartridge and optional deck plate
- Flexible stainless steel spring
- 1 or 3-hole installation
- Max. Flow Rate: 2.2 GPM (8.3 LPM)
- Meets ASME A112.18.1/CSA B125 requirements
- Meets ANSI/NSF 61-9 low lead requirements
- This product complies with 0.25% weighted average lead content on wetted surfaces
- Total Weight of Item: 2671g

No.	Part Description	Material
1	Body	Brass C37700, C.P.
2	Cartridge	Ceramic+POM+S.S. 304+P46+Silicone+PPO
3	Bonnet	Brass HPb59-1
4	Cap	ABS PA727, C.P.
5	Handle seat	Zinc ZZnA14, C.P.
6	Set screw	SUS302/304
7	O-ring	EPDM E7008F
8	Handle	Zinc ZZnA14, C.P.
9	O-ring	EPDM E7008F (17.12*2.62)
10	O-ring	EPDM E7008F (18.72*2.62)
11	Clip	POM M90
12	Water pipe	Brass C37700+C27000, C.P.
13	Spout nut	Brass C37700,C.P.
14	Washer	NBR N7008F
15	Bracket	Brass C37700, C.P.
16	Spring	SUS302/304
17	Hose	Brass C37700+SUS304+Hpb62+TPE (NSF61-9)+NBR N7008F
18	Spray head	Plastic+Brass+Rubber ,C.P
19	Seat	Zinc ZZnA14, C.P.
20	O-ring	EPDM E7008F
21	Bolt	Steel 35#
22	Rubber washer	NBR N7008F
23	Steel washer	SUS304
24	Nut	Brass HPB59-1
25	Hose assembly	Brass+S.S.+Plastic+NBR
26	Coupling nut	Brass C37700
27	Escutcheon	Brass C27000,C.P.
28	Base plate	PP+20%CaCO ₃



Rough-In

15-51121-CH – Chrome

15-51121-SS – Stainless Steel



Certifications



Single Handle, Industrial Style, Pull-Down Kitchen Faucet

