




✉ 33 West Beaver Creek Road Richmond Hill  
 Ontario Canada L4B 1L8  
 ☎ 800.660.5391  
 📠 800.660.5390  
 📧 info@eurofase.com  
 🌐 www.eurofase.com

## GEOS , 1-LIGHT WALL SCONCE

### Product Specifications

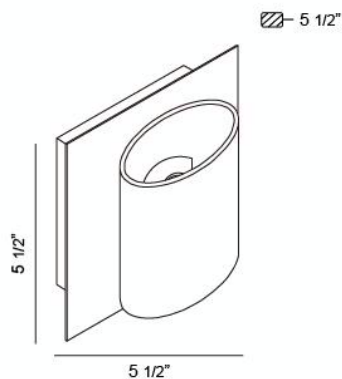
Collection: Illuminations  
 Model No.: 20378  
 Height: 5.5"  
 Extension: 5.5"  
 Width: 5.5"  
 Diameter: 1"  
 Est. Shipping Weight: 21.208 lbs  
 No. of Bulbs: 1 Inc.  
 Bulb Wattage: 60 watts  
 Bulb Type: G9   
 Bulb Base: G9  
 Bulb Voltage: 120 volts

### Options Available

ITEM CODE	FINISH	SHADE
20378-011	satin nickel	opal white glass
20378-028	chrome	opal white glass

### Colour / Shades Available

FINISH	SHADE
satin nickel	opal white glass
chrome	opal white glass



ILLUMINATIONS

### Project Information

Job Name: \_\_\_\_\_ Date: \_\_\_\_\_ Type: \_\_\_\_\_  
 Comments: \_\_\_\_\_