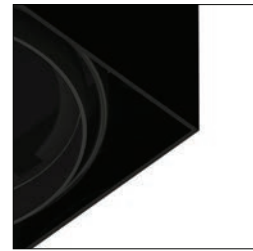




Available Options:



-01 Black



-02 White



TE212LED

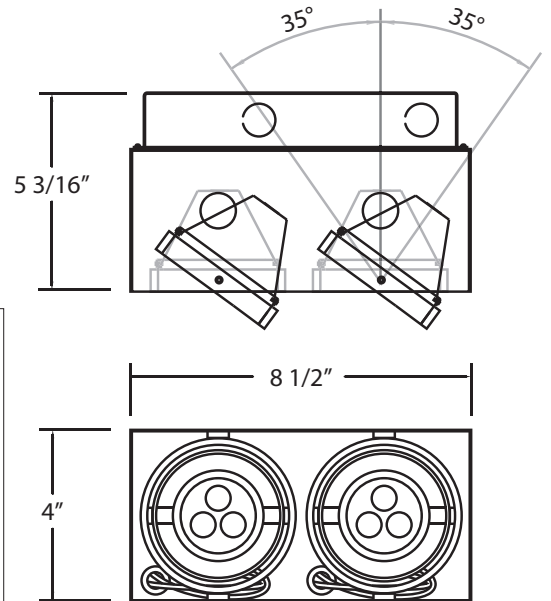
Available Housing (Sold Separately):



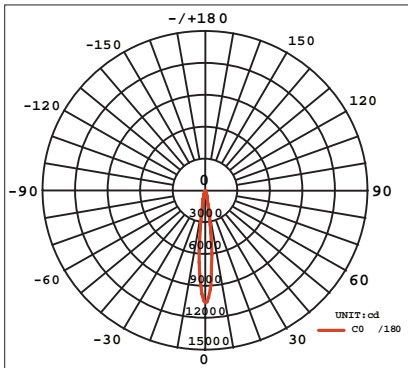
24064-019 - New Construction Plate



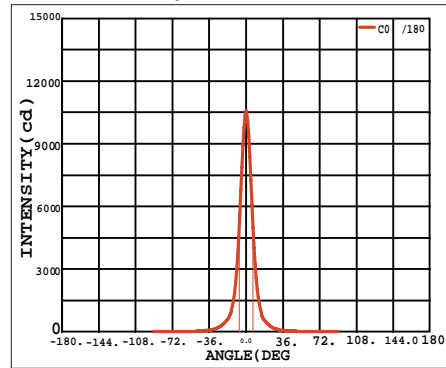
24084-017 - Insulated Ceiling Box



Average Beam Angle (50%) : 13.1 Deg



Luminous Intensity Distribution



Fixture	Model #	Application	Lumen	LED Kelvin	LED Life	CRI	Cut Hole	Length	Width	Height	Lamping
	TE212LED	Remodel (Non IC)	760	3500	50,000 (h)	85+	4 3/8" x 8 9/16"	8 1/2"	4"	5 3/16"	2 X 9W LED OSRAM DIMMABLE DRIVER AVAILABLE

Housing	Model #	Application	Cut Hole	Length	Width	Height
	24064-019	NEW CONSTRUCTION PLATE	4 3/8" x 8 9/16"	14 3/4"	9 1/4"	1 3/8"
	24084-017	INSULATED CEILING BOX	4 3/8" x 8 9/16"	17"	8 3/4"	9 1/2"

