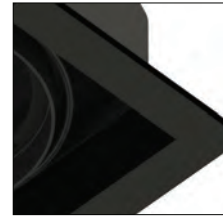


MULTIPLE LED RECESSED

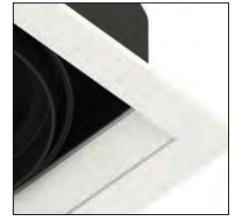


TE113LED

Available Options:



-01 Black/Black



-02 White/Black



-22 White/White



-0N Platinum/Black



Available Housing (Sold Separately):

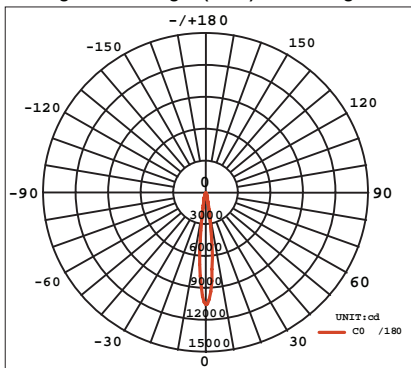


24053-013- New Construction Plate

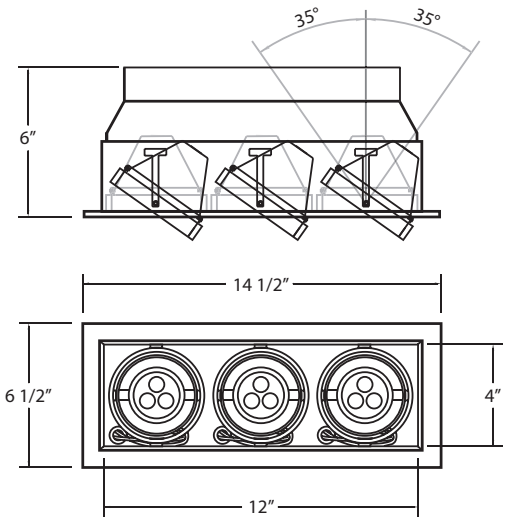
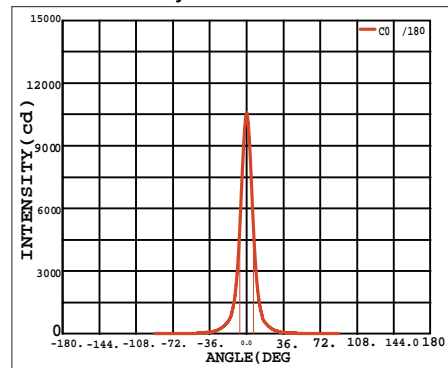


24073-011 - Insulated Ceiling Box

Average Beam Angle (50%) : 13.1 Deg



Luminous Intensity Distribution



Fixture	Model #	Application	Lumen	LED Kelvin	LED Life	CRI	Cut Hole	Length	Width	Height	Lamping / Wattage
	TE113LED	Remodel (Non IC)	1140	3500	50,000 (h)	85+	13 3/8" x 5 1/8"	14 1/2"	6 1/2"	6"	3 X 9W LED OSRAM DIMMABLE DRIVER AVAILABLE
Housing	Model #	Application					Cut Hole	Length	Width	Height	
	24053-013	NEW CONSTRUCTION PLATE					13 3/8" x 5 1/8"	18"	9 1/4"	1 3/8"	
	24073-011	INSULATED CEILING BOX					13 3/8" x 5 1/8"	22"	12 3/4"	11 1/2"	