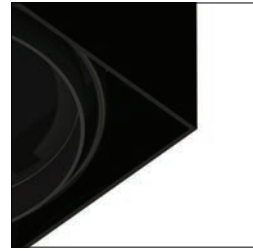


MULTIPLE TRIMLESS LED RECESSED



TE213LED

Available Options:



-01 Black



-02 White



Available Housing (Sold Separately):

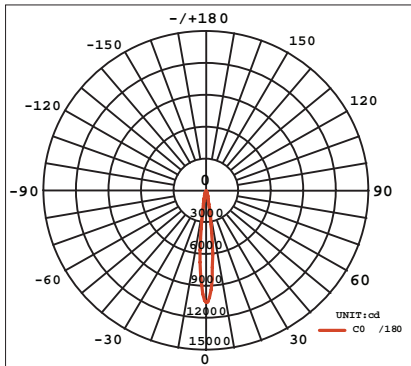


24065-016 - New Construction Plate

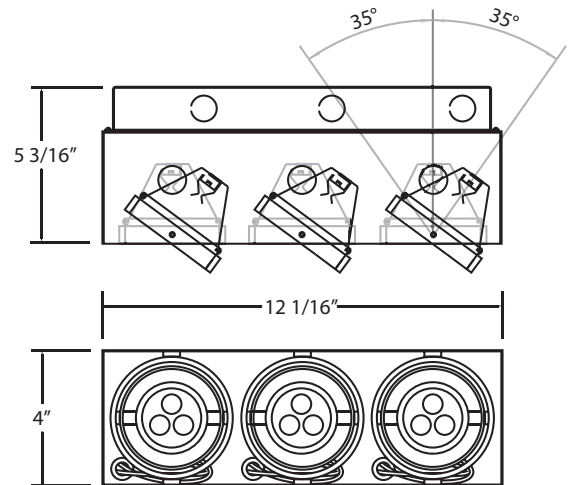
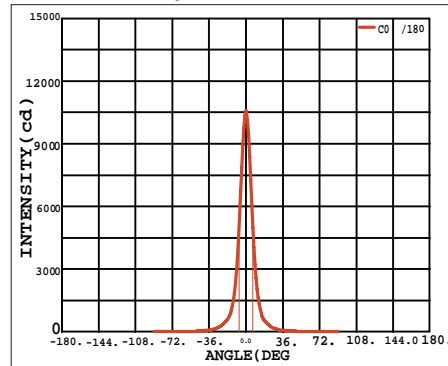


24085-014 - Insulated Ceiling Box

Average Beam Angle (50%) : 13.1 Deg



Luminous Intensity Distribution



Fixture	Model #	Application	Lumen	LED Kelvin	LED Life	CRI	Cut Hole	Length	Width	Height	Lamping
	TE213LED	Remodel (Non IC)	1140	3500	50,000 (h)	85+	4 3/16" x 12 3/8"	12 1/16"	4"	5 3/16"	3 X 9W LED OSRAM DIMMABLE DRIVER AVAILABLE

Housing	Model #	Application	Cut Hole	Length	Width	Height
	24065-016	NEW CONSTRUCTION PLATE	4 3/16" x 12 3/8"	18"	9 1/4"	1 3/8"
	24085-014	INSULATED CEILING BOX	4 3/16" x 12 3/8"	19 3/4"	8 3/4"	9 1/2"