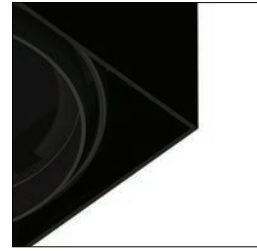




Available Options:



-01 Black



-02 White



TE214BLED

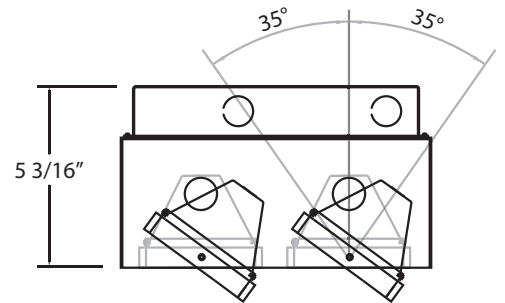
Available Housing (Sold Separately):



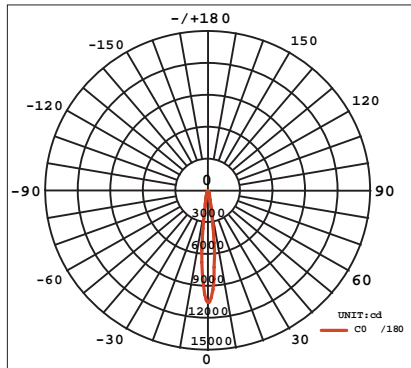
24066-013 - New Construction Plate



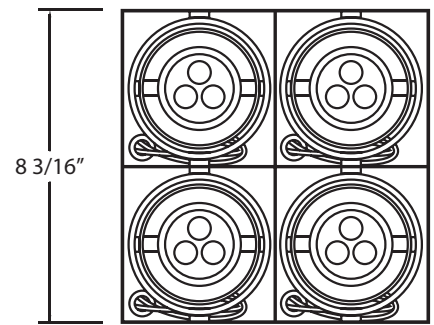
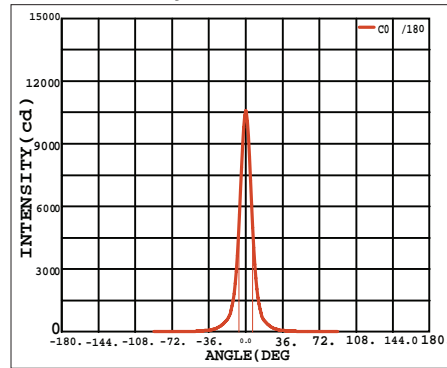
24086-011 - Insulated Ceiling Box



Average Beam Angle (50%) : 13.1 Deg



Luminous Intensity Distribution



Fixture	Model #	Application	Lumen	LED Kelvin	LED Life	CRI	Cut Hole	Length	Width	Height	Lamping
	TE214BLED	Remodel (Non IC)	1520	3500	50,000 (h)	85+	8 1/4" x 8 1/4"	8 3/16"	8 3/16"	5 3/16"	4 X 9W LED OSRAM DIMMABLE DRIVER AVAILABLE

Housing	Model #	Application	Cut Hole	Length	Width	Height
	24066-013	NEW CONSTRUCTION PLATE	8 1/4" x 8 1/4"	12 3/4"	12 3/4"	1 3/8"
	24086-011	INSULATED CEILING BOX	8 1/4" x 8 1/4"	20"	18"	11 1/2"

