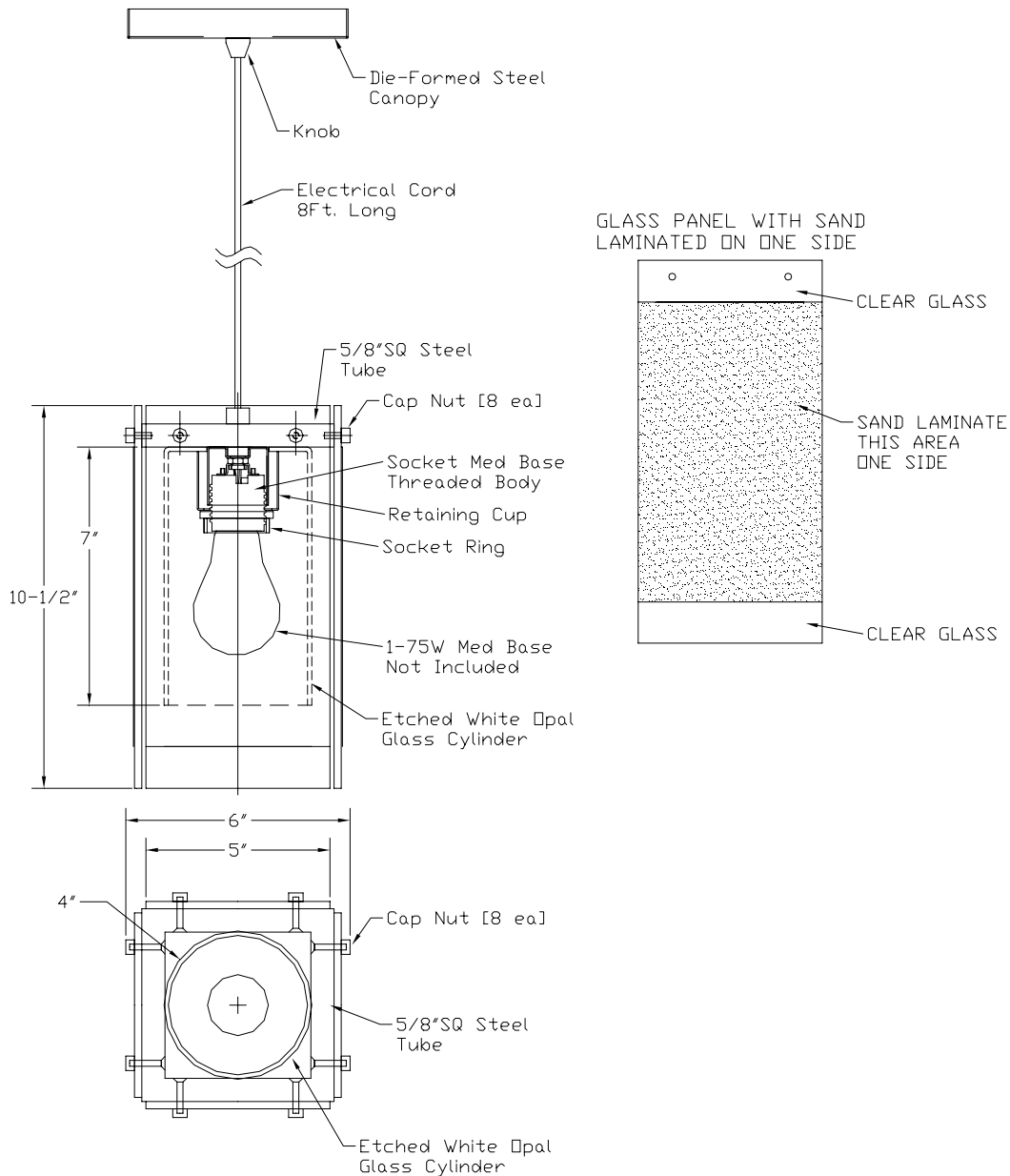


Specification Sheet

Pendant

Model: **F1932-36 Satin Nickel**
F1932-68 Deep Bronze



Panel: Sand on Clear Glass
 Glass: Etched White Opal
 Finishes: Satin Nickel -36; Deep Bronze -68
 Width: 6" Height: 10-1/2" Overall Height: 106"
 Lamps: 1 – 75W Medium Base (Not Included)
 Labels: cULus Listed. Suitable for Dry Location.