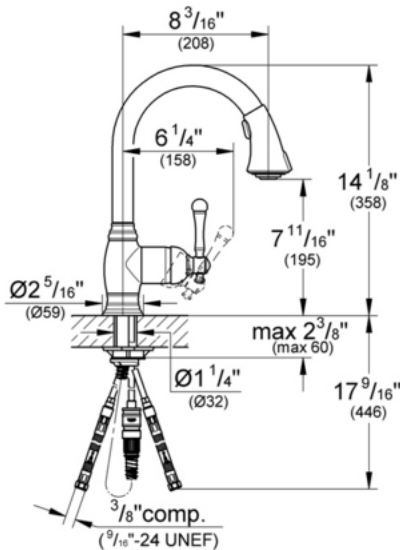


33 870 Dual Spray Pull Down



Description

GROHE SilkMove® Ceramic cartridge
SpeedClean® anti-lime system
Convenient Dual Spray Trigger - hold and release on/off spray control
regular flow to spray
Quick installation system
Single lever handle
Variable handle positioning
Stainless steel braided flexible supplies
56" extractable hose
8 3/16-Inch spout reach
360° swivel spout

Flow Rate

2.2 gpm at 45 psi, 2.5 gpm at 80 psi
(9.5 lpm)

Code Compliance

ASME/ANSI A112.18.1M

Finish Options

33 870 OOO Starlight® Chrome
33 870 ENO Infinity Brushed Nickel
33 870 ZBO Oil Rubbed Bronze