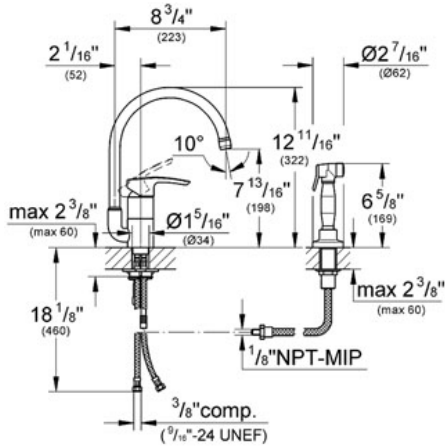


EUROSTYLE
Single-lever sink mixer, 1/2"
MODEL # 33980

Pure Freude an Wasser



GROHE America, Inc | 200 North Gary Avenue, Suite G, Roselle, IL 60172
Phone: +1 (800) 444-7643 | Fax: +1 (800) 225-2778 | us-customerservice@grohe.com



Product Description:
Single-lever sink mixer, 1/2"

Standard Specification:

- GROHE StarLight® finish
- GROHE SilkMove® ceramic cartridge
- Single hole installation
- Adjustable flow rate limiter
- Swivel Spout
- Flow control
- Quick installation system
- Stainless Steel Braided Flexible Supplies
- With Hose and Spray
- Single Lever Handle
- Spout Reach 8 7/8"
- Max Flow Rate 1.75 gpm (6.6 L/min)

Applicable Codes & Standards:

- Energy Policy Act of 1992
- NSF 61
- ASME A112.18.1/CSA B125.1
- US Federal and State material regulations
- ICC/ANSI A117.1
- CalGreen

Color:

- 33980 001 chrome
- 33980 EN1 Brushed Nickel inf

