

Axor Starck
Axor Starck 2-Spray Semi-Pro Kitchen Faucet
 Finishes : **Chrome** Part no. : **10820001**



Description

Features

- Swivel range 360°
- Laminar and needle spray
- Toggle spray diverter
- Flow: 1.75 GPM
- Joystick ceramic cartridge
- $\frac{3}{8}$ " compression

Item details

List Price \$ 1,023.00

Technology



Design awards



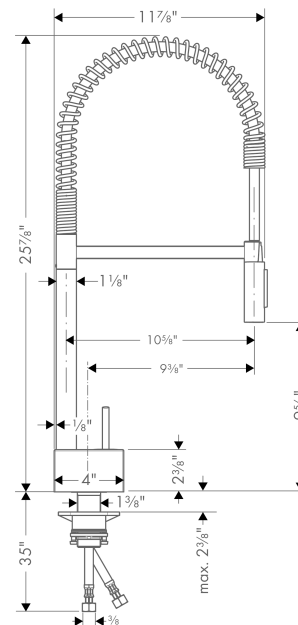
Compliance



Product image



Scale drawing

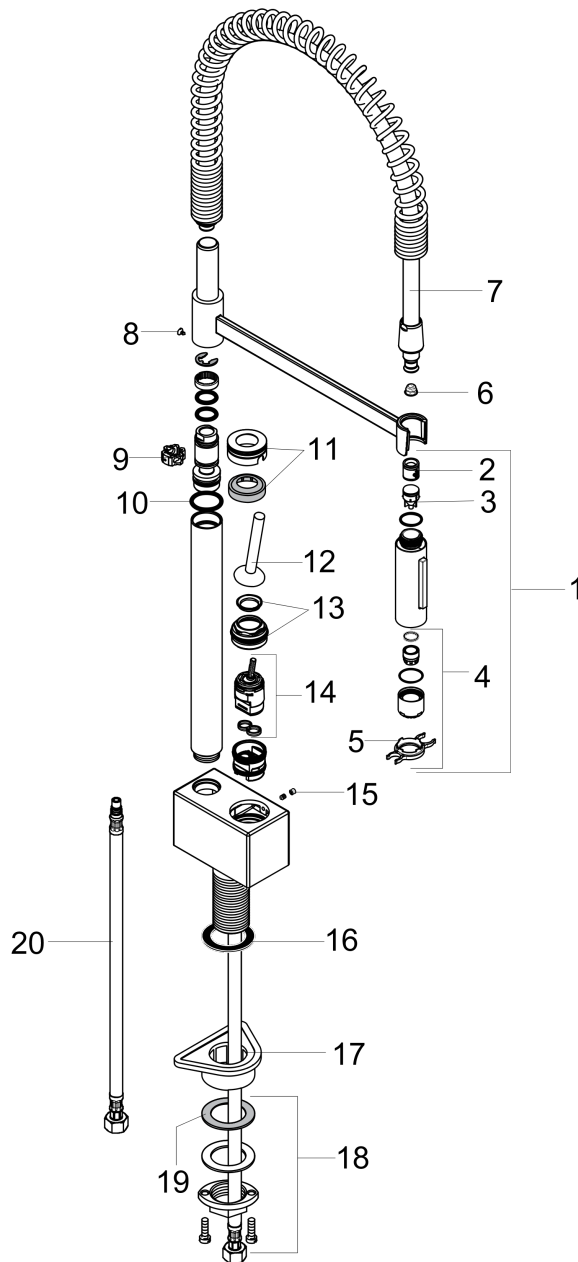


Axor Starck
Axor Starck 2-Spray Semi-Pro Kitchen Faucet
Finishes : **Chrome** Part no. : **10820001**



Exploded drawing

Year of production: >09/12



Axor Starck
Axor Starck 2-Spray Semi-Pro Kitchen Faucet
 Finishes : **Chrome** Part no. : **10820001**



Spare parts list

Year of production: >09/12

Pos.	Description	Part no.	Price	PU
1	handspray	95908001	-	1
2	set of non return valves DW 15	97350000	-	1
3	non return valve	95376000	-	1
4	aerator laminar M22x1 (15 l/min)	95909000	-	1
5	service tool	95910000	-	1
6	filter	97735000	-	1
7	shower hose	97475000	-	1
8	screw	97662000	-	1
9	axialring	97558000	-	1
10	O-ring 21x2	98205000	-	1
11	escutcheon	97466000	-	1
12	handle	10092000	-	1
13	nut	97157000	-	1
14	cartridge, assy	96339000	-	1
15	screw cover	95181000	-	1
16	sealing washer	97825000	-	1
17	support	97523000	-	1
18	fixing set (Ø 34)	95049000	-	1
19	lever collar	97548000	-	1
20	connection hose 35½" M8x0,75 3/8"	96316001	-	1