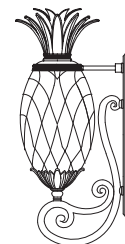
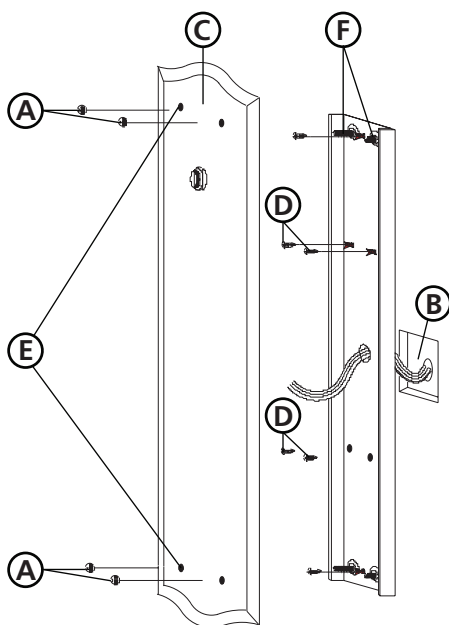


Family: Plantation | Item No. 2120 PZ



Drawing 1 - Fixture Mounting



▼ start here

1

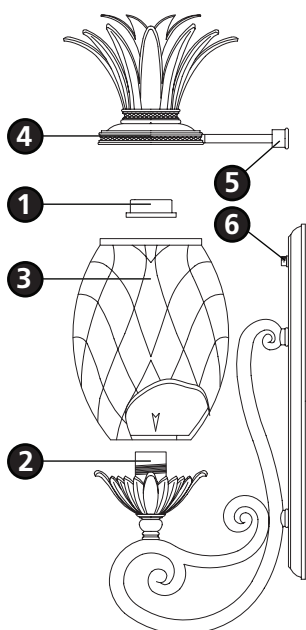
1. Find a clear area in which you can work.
2. Unpack fixture and glass from carton.
3. Carefully review instructions prior to assembly.

***** The construction of this fixture will be accomplished by first making all necessary electrical connections, mounting the fixture to the wall, and then installing the fixture glass.**

2

1. To assemble main body, remove ball knobs (A) from backplate (C) and remove retainer plate (G) - see **Drawing 1**.
2. Slip wire from junction box (B) through the 9/16" dia. access hole in the retainer plate (G).
3. Remove appropriate knock outs from the star pattern on the retainer plate (G) that match the mounting hole location on your junction box (B).
4. Mount retainer plate (G) to the junction box (B) using the screws provided.
5. The top and bottom ends of the retainer plate have additional attachments points that can be used. To attach the plate at these points use the wood screws (D) provided.

Drawing 2 - Fixture Assembly



SAFETY WARNING: READ WIRING AND GROUNDING INSTRUCTIONS (I.S. 18) AND ANY ADDITIONAL DIRECTIONS. TURN POWER SUPPLY OFF DURING INSTALLATION. IF NEW WIRING IS REQUIRED, CONSULT A QUALIFIED ELECTRICIAN OR LOCAL AUTHORITIES FOR CODE REQUIREMENTS.

3

Make electrical connections from supply wire to fixture lead wires. Refer to instruction sheet (I.S. 18) and follow all instructions to make all necessary wiring connections. Then refer back to this sheet to continue installation of this fixture.

4

1. Mount the fixture to the wall by slipping holes (E) in backplate (C), over screws (F) in retainer plate (G) and securing with ball knobs (A) - see **Drawing 1**.

5

1. Prior to glass installation, fixture can now be lamped accordingly.
2. To install glass, remove threaded socket ring (1) from socket (2) - see **Drawing 2**.
3. Slip end of glass (3) with small hole over socket (2).
4. Thread socket ring (1) onto socket (2) and hand-tighten to secure glass (3).
5. Place roof (4) onto top of glass (3). Making sure to line up collar (5) with the threaded tubing (6) on the backplate.
6. Thread collar (5) onto threaded tubing (6) on backplate.

Note: Maximum wattage for 2120 fixture is 75 watts per bulb.

2.7.08