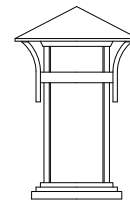
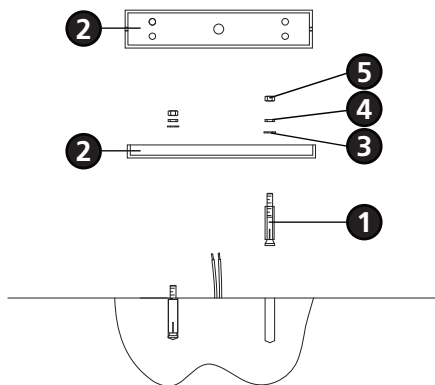


Family: Harbor | Item No. 2576 AR/TT



▼ start here

Drawing 1 - Fixture Mounting



1

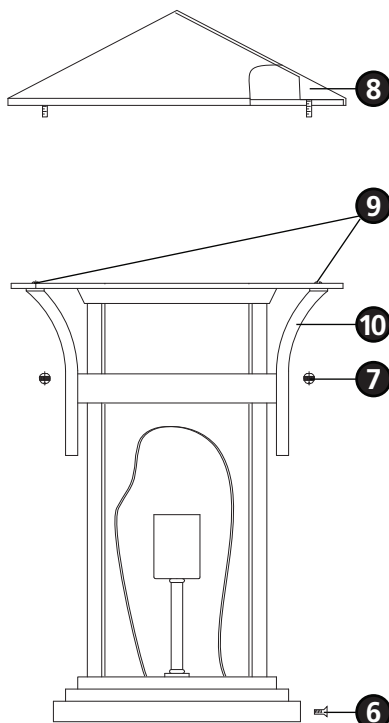
1. Find a clear area in which you can work.
2. Unpack fixture and glass from carton.
3. Carefully review instructions prior to assembly.

2

1. To install mounting bracket, determine location where mounting bracket is to be mounted to pier, and mark hole location. - see **Drawing 1**.
2. Drill 3/8" diameter hole, 1-3/4" deep with a masonry drill at marked locations.
3. Tap mounting bolts (1) with sleeve into drilled holes, sleeve end first.
4. Place mounting bracket (2) over bolts.
5. Place washer (3) followed by lockwasher (4) onto all of the bolts.
6. Thread hex nut (5) onto bolts and tighten.

Note: Bolts provided are for mounting in concrete or stone. If mounting to any other type of material use an appropriate fastener.

Drawing 2 - Fixture Assembly



3

SAFETY WARNING: READ WIRING AND GROUNDING INSTRUCTIONS (I.S. 18) AND ANY ADDITIONAL DIRECTIONS. TURN POWER SUPPLY OFF DURING INSTALLATION. IF NEW WIRING IS REQUIRED, CONSULT A QUALIFIED ELECTRICIAN OR LOCAL AUTHORITIES FOR CODE REQUIREMENTS.

Make electrical connections from supply wire to fixture lead wires. Refer to instruction sheet (I.S. 18) and follow all instructions to make all necessary wiring connections. Then refer back to this sheet to continue installation of this fixture.

4

1. To mount fixture to bracket, slip base of fixture over mounting bracket, making sure that the screw holes on the side of the base and the ends of the mounting bracket line up - see **Drawing 2**.
2. Slip flat head screw (6) through the base and thread into mounting bracket.

5

1. To lamp fixture or replace glass, remove the two ball knobs (7) from under the roof (8) - see **Drawing 2**.
 2. Lift roof (8) off of fixture.
 3. Fixture can now be lamped accordingly.
- To replace glass:** unscrew round head screws (9) and remove upper half of main body (10). Glass can now be replaced. Then replace upper half of main body (10) and secure with round head screws (9).
4. Replace roof (8) and thread ball knobs (7) onto fixture.

Note: Maximum wattage for 2576 fixture is 100 watts per bulb.

12.1.09