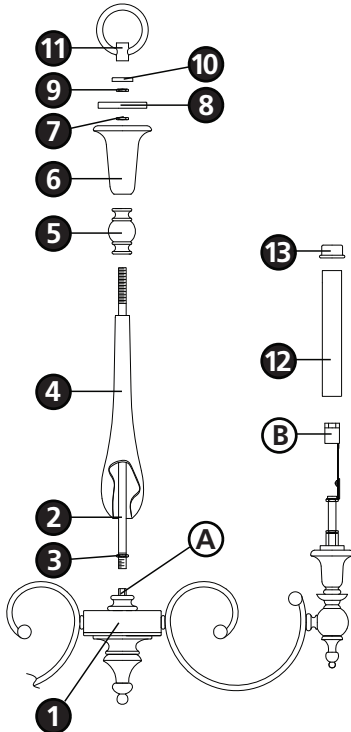


Family: Yorktown | Item No. 3626

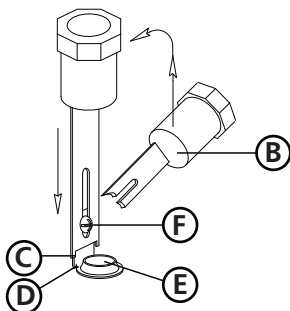
▼ start here



Drawing 1 - Fixture Assembly



Drawing 2 - Fixture Assembly



1

1. Find a clear area in which you can work.
2. Unpack fixture and glass from carton.
3. Carefully review instructions prior to assembly.

***** The construction of this fixture will be accomplished by first assembling the main body of the fixture, making all necessary electrical connections, and then hanging the fixture from the ceiling.**

SAFETY WARNING: READ WIRING AND GROUNDING INSTRUCTIONS (I.S. 18) AND ANY ADDITIONAL DIRECTIONS. TURN POWER SUPPLY OFF DURING INSTALLATION. IF NEW WIRING IS REQUIRED, CONSULT A QUALIFIED ELECTRICIAN OR LOCAL AUTHORITIES FOR CODE REQUIREMENTS.

2

NOTE: All the parts for the center column assembly are laced on the supply wire. During assembly parts will be slipped along the wire. Caution should be used during this process.

1. to assemble the center column, take the steel center stem (2) and thread it into coupler (A) located on the main body assembly (1), approximately 1/2". Then tighten hex nut (3) against coupler to lock center stem in place - see **Drawing 1**.
2. Slip column (4) along wire and over center stem (2), followed by the top casting (5) and cup (6).
3. Thread hex nut (7) down on the center stem (2) approximately 1". It will need to be adjusted in the next step.
4. Now slip cap (8) onto center stem (2). The outer edge should fit and rest inside cup (6). Hex nut (7) should be adjusted so it just touches the underside of cap (8).
5. Thread hex nut (9) onto center stem (2) and tighten to secure center column assembly.
6. Slip cap (10) onto center stem (2) to cover hex nut (9).
7. To complete center column assembly slip loop (11) along wire and thread onto top of center tube (2) and tighten.
8. Please refer to the hanging instruction sheet (I.S. 19) provided to hang this fixture. Then refer back to this sheet to install the glass.

3

1. To prepare the sockets to accept the candle sleeves, it will be necessary to lock them in position. To accomplish this, first tilt bulb socket and bracket (B) up in a vertical position- see **Drawing 2**.
2. Slip the socket and bracket (B) down until the two tabs (C) engage the notch (D) that is in the base socket bracket (E).
3. Tighten screw (F) to lock sockets in position. Repeat for remaining sockets.
4. Slip candle sleeves (12) over sockets (B) followed by candle chaser (13) and repeat for remaining sockets - see **Drawing 1**.

Note: Maximum wattage for 3626 fixture is 60 watts per bulb.

10.15.10