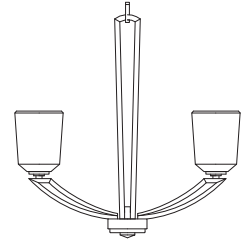
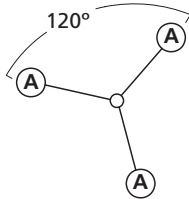


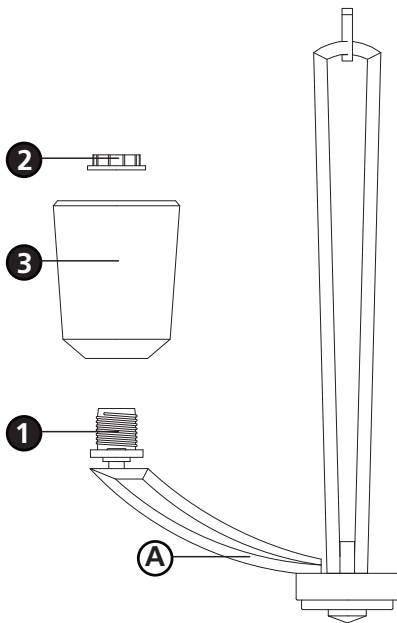
Family: Parker | Item No. 4433 KZ



Drawing 1 - Fixture Assembly



Drawing 2 - Fixture Assembly



▼ start here

1

1. Find a clear area in which you can work.
2. Unpack fixture and glass from carton.
3. Carefully review instructions prior to assembly.

***** The construction of this fixture will be accomplished by first assembling the main body structure, installing the mounting hardware to the junction box, hanging the fixture from the ceiling and then installing the fixture glass.**

SAFETY WARNING: READ WIRING AND GROUNDING INSTRUCTIONS (I.S. 18) AND ANY ADDITIONAL DIRECTIONS. TURN POWER SUPPLY OFF DURING INSTALLATION. IF NEW WIRING IS REQUIRED, CONSULT A QUALIFIED ELECTRICIAN OR LOCAL AUTHORITIES FOR CODE REQUIREMENTS.

2

1. Rotate arms **(A)** outward from current position until they are equally spaced, approximately 120 degrees apart - see **Drawing 1**.
2. Refer to hanging instruction sheet **(I.S.19)** provided to hang fixture. Then refer back to this sheet to continue installation of this fixture.

3

1. Remove threaded socket ring **(2)** from socket **(1)** - see **Drawing 2**.
2. Slip glass **(3)** over socket **(1)**.
3. Thread socket ring **(2)** onto socket **(1)** to secure glass **(3)**.
4. Fixture can now be lamped accordingly.

Note: Maximum wattage for 4433 fixture is 100 watts per bulb.

3.16.09