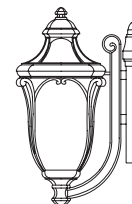
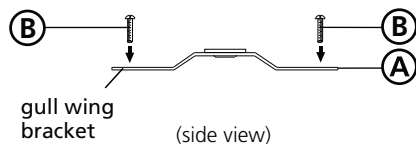


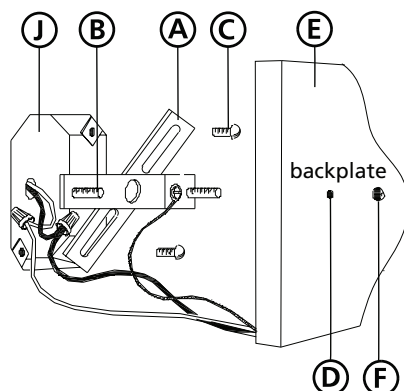
Family: Trafalgar | Item No. 1314 MB/MO



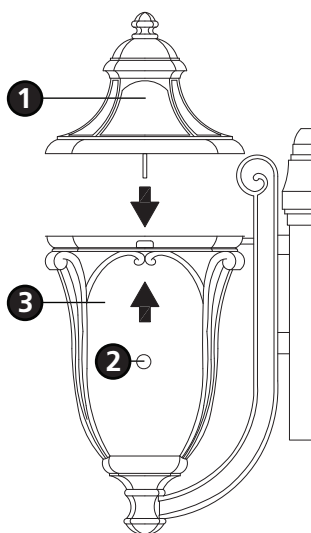
Drawing 1 - Strap Detail



Drawing 2 - Fixture Mounting



Drawing 3 - Fixture Assembly



▼ start here

1

1. Find a clear area in which you can work.
2. Unpack fixture and glass from carton.
3. Carefully review instructions prior to assembly.

***** The construction of this fixture will be accomplished by mounting the mounting strap to the junction box, making all necessary electrical connections, mounting the fixture to the wall, and then assembling the main body of the fixture.**

2

1. Prepare gem strap (A) for mounting, by threading the two screws (B) provided into the back of the gull wing bracket on gem strap (A) - see **Drawing 1**.
 - Be sure that holes into which the screws are threaded match the spacing of the mounting holes (D) in the back plate (E) - see **Drawings 1 and 2**.
3. Mount gem strap (A) to junction box (J) using two 1" screws (C) provided.

SAFETY WARNING: READ WIRING AND GROUNDING INSTRUCTIONS (I.S. 18) AND ANY ADDITIONAL DIRECTIONS. TURN POWER SUPPLY OFF DURING INSTALLATION. IF NEW WIRING IS REQUIRED, CONSULT A QUALIFIED ELECTRICIAN OR LOCAL AUTHORITIES FOR CODE REQUIREMENTS.

3

3. Make electrical connections from supply wire to fixture lead wires. Refer to instruction sheet 18 (I.S. 18) and follow instructions to make all necessary wiring connections. Then refer back to this sheet to complete installation of this fixture.

4

1. Mount the fixture by slipping the holes (D) in the backplate (E) over the screws (B) in the mounting strap (A) - see **Drawing 2**.
2. Hold fixture against wall and thread ball knobs (F) onto end of screw (B) showing through the backplate (E).

5

1. Prior to assembling main body, fixture can now be lamped accordingly.
2. To assemble main body, attach the top cover (1) to the cage (3) by securing with ball knobs (2) - see **Drawing 3**.

Note: Maximum wattage for 1314 fixture is 75 watts per bulb.

2.7.08