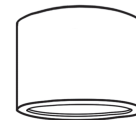
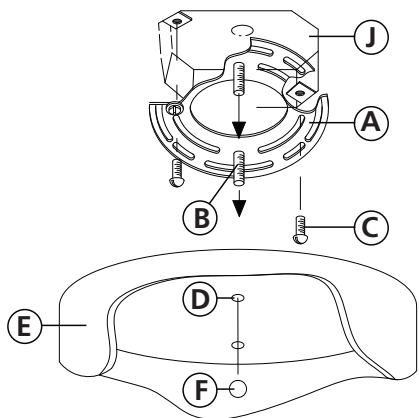


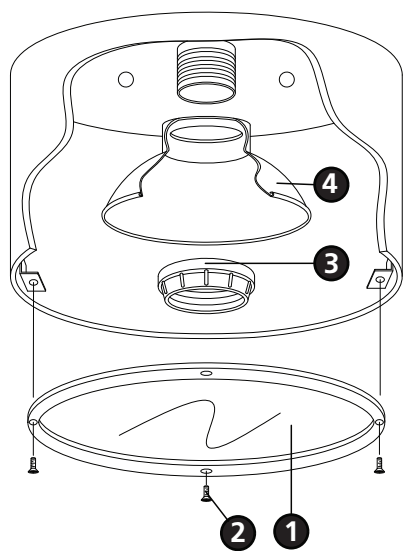
Family: Luna | Item No. 1663



Drawing 1 - Fixture Mounting



Drawing 2 - Glass Installation



▼ start here

1

1. Find a clear area in which you can work.
2. Unpack fixture and glass from carton.
3. Carefully review instructions prior to assembly.

***** The construction of this fixture will be accomplished by first mounting the mounting strap to the junction box, making all necessary electrical connections, hanging the fixture from the ceiling, and then installing the fixture glass.**

2

1. Prepare mounting disc (A) by threading two screws (B) provided into the back of the mounting strap (A) - see **Drawing 1**.
 - Be sure the holes into which the screws are threaded match the spacing of holes (D) in the canopy (E).
2. Attach mounting disc (A) to junction box (J) using two 1" screws (C).

SAFETY WARNING: READ WIRING AND GROUNDING INSTRUCTIONS (I.S. 18) AND ANY ADDITIONAL DIRECTIONS. TURN POWER SUPPLY OFF DURING INSTALLATION. IF NEW WIRING IS REQUIRED, CONSULT A QUALIFIED ELECTRICIAN OR LOCAL AUTHORITIES FOR CODE REQUIREMENTS.

3

Make electrical connections from supply wire to fixture lead wires. Refer to instruction sheet (I.S. 18) and follow all instructions to make all necessary wiring connections. Then refer back to this sheet to continue installation of this fixture.

4

1. Prior to installing the fixture on the ceiling it will be necessary to remove the glass plate (1) by removing the 4 screws (2) - see **Drawing 2**.
2. Now remove the reflector (4) by unthreading socket ring (3) from socket.
3. Hang the fixture by slipping the holes (D) in the canopy (E) over the screws (B) in the mounting disc (A) - see **Drawing 1**.
4. Thread on ball knobs (F) to secure fixture to ceiling.

5

1. Slip reflector (4) over socket and thread socket ring (3) back on to secure - see **Drawing 2**.
2. Fixture can now be lamped accordingly.
3. Replace glass plate (1) and secure with screws (2).
4. Fixture is complete.

Note: Maximum wattage for the 1663 is GU-10, 20 watt MR-16

10.14.10