



ORIGINAL[®]

Legendary Performance Since 1886



For Your Records and Warranty Assistance

Model Name: _____

Catalog/Model No.: _____

Serial No.: _____

Date Purchased: _____

Where Purchased: _____

For reference also attach your receipt or a copy of your receipt to the manual.



READ AND SAVE THESE INSTRUCTIONS

Your new Hunter® ceiling fan is an addition to your home or office that will provide comfort and performance for many years. This installation and operation manual gives you complete instructions for installing and operating your fan.

We are proud of our work. We appreciate the opportunity to supply you with the best ceiling fan available anywhere in the world.

Before installing your fan, for your records and warranty assistance, record information from the carton and Hunter nameplate label (located on the top of the fan motor housing).

These installation instructions are for a Hunter Type "C" Fan.

Cautions and Warnings

- Read this entire manual carefully before beginning installation. Save these instructions.
- Use only Hunter replacement parts.
- To reduce the risk of personal injury, attach the fan directly to the support structure of the building according to these instructions, and use only the hardware supplied.
- To avoid possible electrical shock, before installing your fan, disconnect the power by turning off the circuit breakers to the outlet box and associated wall switch location. If you cannot lock the circuit breakers in the off position, securely fasten a prominent warning device, such as a tag, to the service panel.
- All wiring must be in accordance with national and local electrical codes and ANSI/NFPA 70. If you are unfamiliar with wiring, use a qualified electrician.
- To reduce the risk of personal injury, do not bend the blade attachment system when installing, balancing, or cleaning the fan. Never insert foreign objects between rotating fan blades.
- To reduce the risk of fire, electrical shock, or motor damage, do not use a solid-state speed control with this fan. Use only Hunter speed controls.

Table of Contents

1 • Welcome	2
2 • Optional Accessories	3
3 • Getting Ready	4
4 • Pre-Installation	5
5 • Installing Ceiling Hardware	6
6 • Hanging The Fan	7-8
7 • Wiring The Fan	9
8 • Installing The Canopy	10
9 • Lubrication	11
10 • Fan Blade Assembly	12
11 • Installing Bulb And Globe	13
12 • Operation And Care	14
13 • Troubleshooting Guide	15

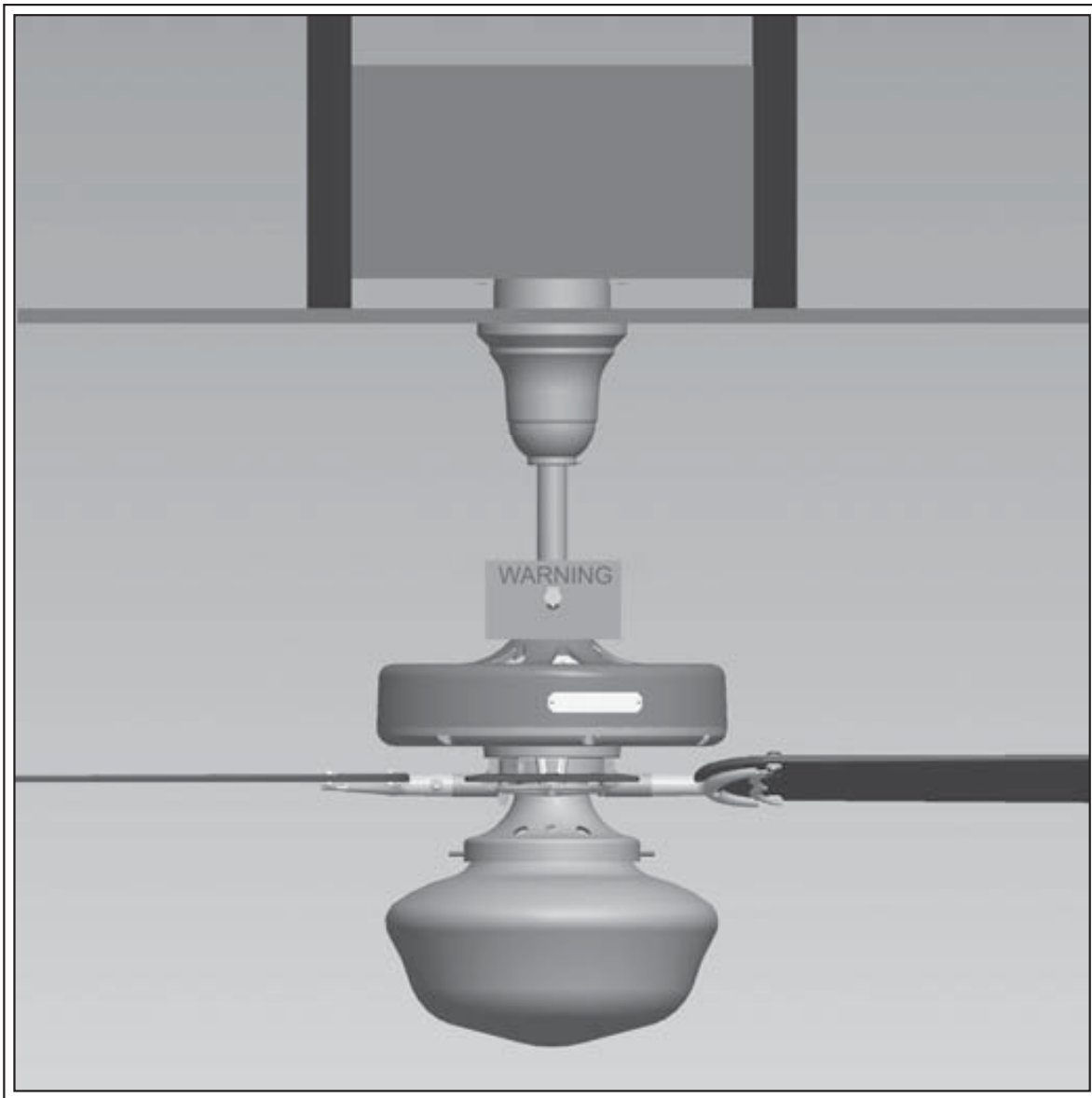
Optional Accessories

Understanding Mounting

Hunter's patented mounting system provides you maximum ease in installing your fan. This fan was designed to be mounted only on flat ceilings and can be used only on ceilings no less than 9 feet high.

Considering Optional Accessories

Consider using Hunter's optional accessories, including a wall-mounted or remote speed control. To install and use the accessories, follow the instructions included with each product. For quiet and optimum performance of your Hunter fan, use only Hunter speed controls.



Standard Mounting

hangs from the ceiling by a downrod (included), recommended for ceilings 9 feet or higher

Getting Ready

To install a ceiling fan, be sure you can do the following:

- Locate the ceiling joist or other suitable support in ceiling.
- Drill holes for and install wood screws.
- Identify and connect electrical wires.
- Lift 40 pounds.

If you need help installing the fan, your Hunter fan dealer can direct you to a licensed installer or electrician.

Gathering the Tools

You will need the following tools for installing the fan:

- Adjustable wrench or pliers
- Electric drill with 11/64" bit
- Standard screwdriver (magnetic tip recommended)
- Phillips-head screwdriver (magnetic tip recommended)
- Ladder (height dependent upon installation site)
- 3/8" socket wrench

4

Checking Your Fan Parts

Carefully unpack your fan to avoid damage to the fan parts. Refer to the included Parts Guide. Check for any shipping damage to the motor or fan blades. If any parts are missing or damaged, contact your Hunter dealer or call Hunter Technical Support Department at 888-830-1326.

Preparing the Fan Site

Before you begin installing the fan, follow all the instructions in the pullout sheet called "Preparing the Fan Site." Proper ceiling fan location and attachment to the building structure are essential for safety, reliable operation, maximum efficiency, and energy savings.

Installing Multiple Fans?

If you are installing more than one fan, keep the blade assemblies in sets, as they were shipped.

Pre- Installation

Select installation site: Normally this is near the center of the room, often replacing a light fixture. Make certain that ample clearance is left for the rotating fan blades. For maximum efficiency, no obstruction (walls, posts, etc.) should be within 24" of the tips of the blades (see Fig. 1).

Your Hunter fan comes with the proper hardware to hang the fan from a 9 foot ceiling so the fan blades will be 17 1/4" from the ceiling and approximately 7 feet from the floor (see Fig. 1).

NOTE: On vaulted ceilings, up to 45° pitch, you may want to use the Hunter Vaulted Ceiling Mounting Kit (22174). This kit can be purchased via our website or our parts and service number provided on page 15 of this manual.

⚠ CAUTION ⚠
NEVER LIFT THE MOTOR BY THE WIRES.
LET MOTOR REST IN THE CARTON LINER FOR PROTECTION.

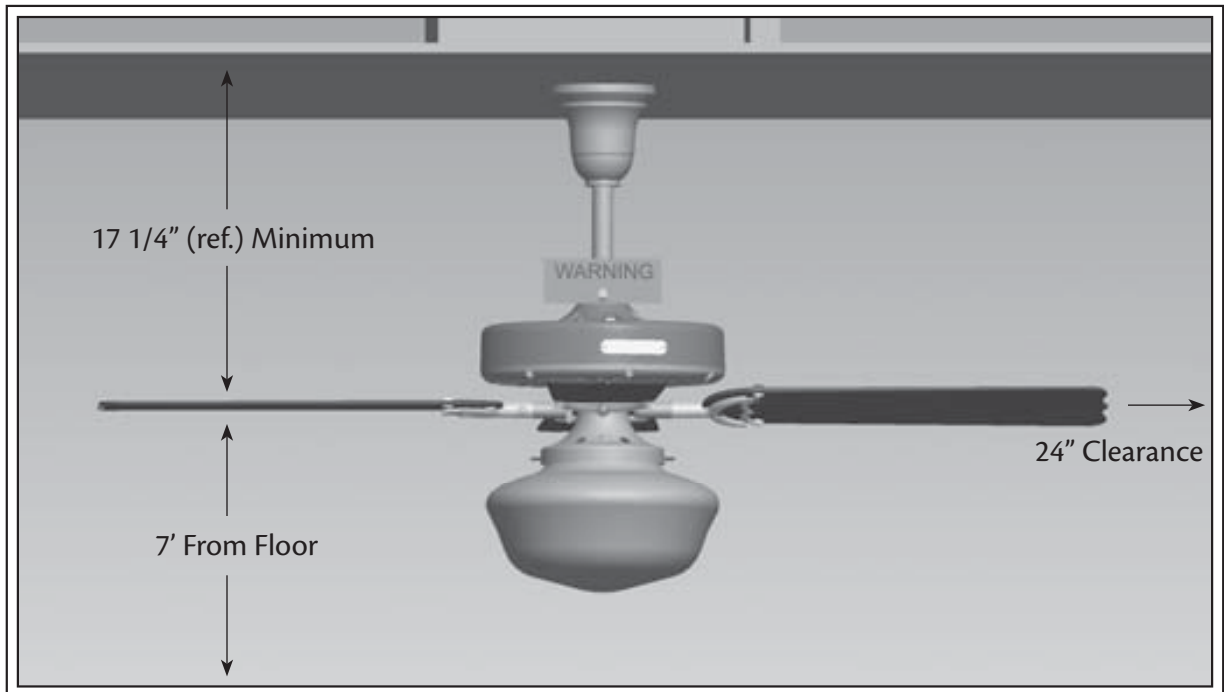


Fig. 1

Installing Ceiling Hardware

CAUTION
DO NOT USE LUBRICANT ON SCREWS

1. Drill (2) $1\frac{1}{64}$ " diameter holes through the outermost holes in the box 2" deep into the cross brace. These holes are for the U-bracket bolts. Install rubber bushing and pin into the u-bracket. Use a $\frac{3}{8}$ " wrench to install the (2) $3\frac{1}{2}$ " lag bolts to secure the U-bracket to the joist (see Fig. 2).

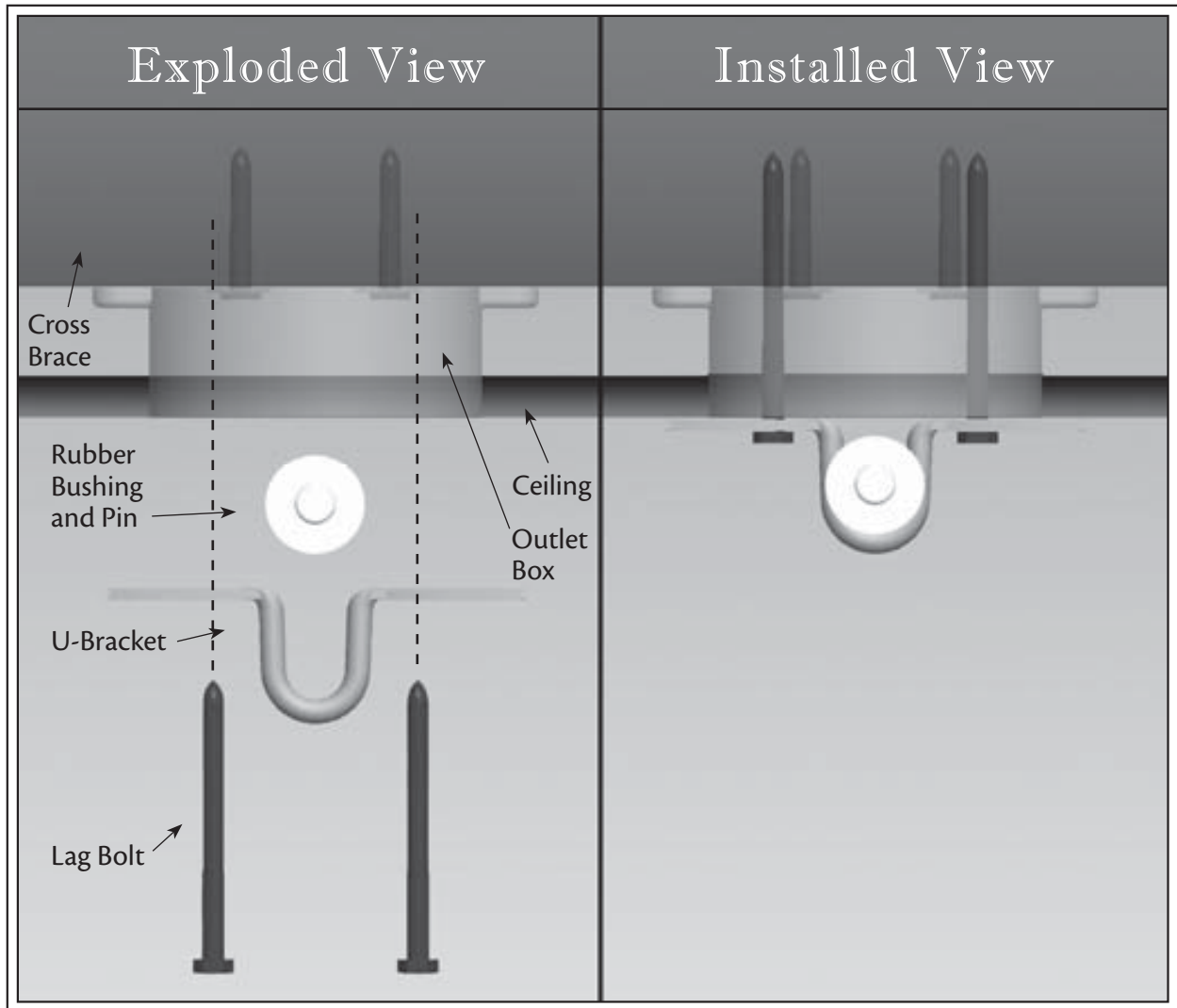
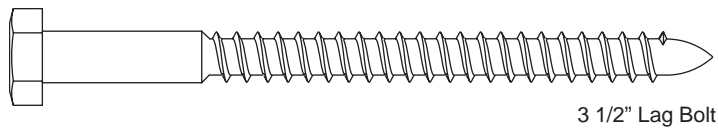


Fig. 2



Hanging The Fan

⚠ CAUTION ⚠

BE SURE TO TIGHTEN THE HANGER PIPE INTO THE FAN, AND THE HANGER BRACKET ONTO THE PIPE. TIGHTEN THE 2 SET SCREWS, AS DESCRIBED IN STEP 7, TO PREVENT THE FAN FROM FALLING. YOUR FAN MAY WEIGH UP TO 50 LBS. ALL OF THE FOLLOWING STEPS MUST BE FOLLOWED IN ORDER TO ENSURE A SECURE MOUNTING.

1. Feed the wires from the top of your motor through the hanger pipe (see Fig. 3).
2. Back out the motor housing set screw (Do not completely remove from fan) in neck of fan motor housing and hanger bracket assembly so the hanger pipe can be screwed in.
3. Screw the pipe into the fan until tight (at least 4 1/2 turns) (see Fig. 4).
NOTE: Some of the pipe threads may still be visible.
4. Slide the canopy down over the hanging pipe (see Fig. 5).

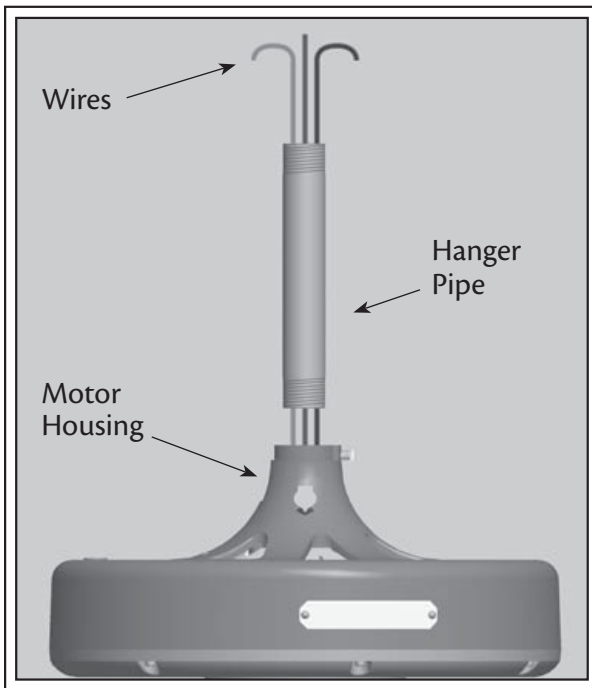


Fig. 3

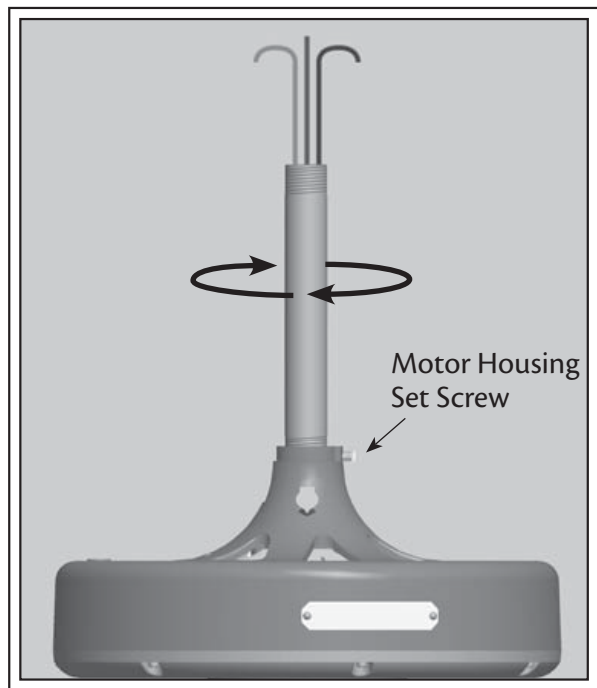


Fig. 4

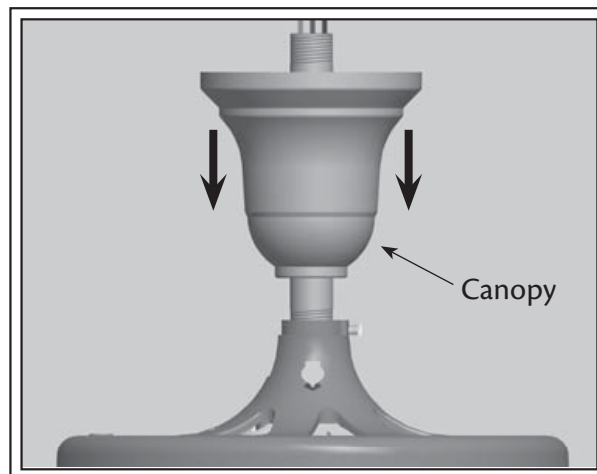


Fig. 5

Hanging The Fan

5. Back out the set screw on the hanger bracket.
6. Feed the 3 wires through the hanger bracket assembly and screw the hanger bracket onto the hanger pipe until tight (at least 3 turns) (see Fig, 6).
7. Use pliers to tighten both the hanger bracket assembly and the hanger pipe together.
8. Tighten the set screw in the motor housing and the hanger bracket assembly (see Fig 7).

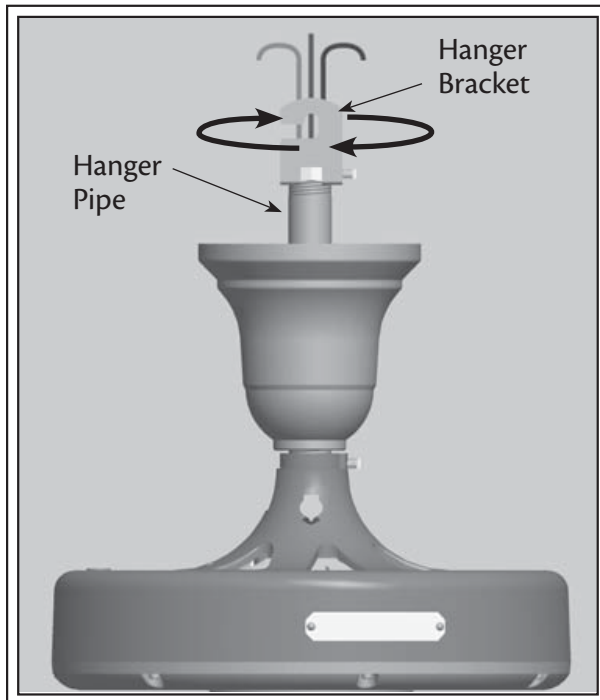


Fig. 6

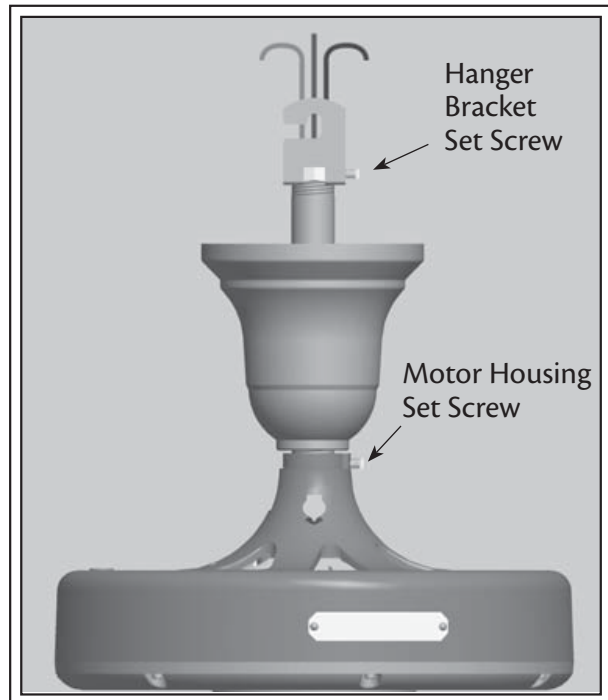


Fig. 7

9. Be sure that the pin is centered in the rubber bushing.
10. Lift the fan by the motor housing, hook the hanger bracket assembly onto the rubber bushing and pin. Make sure both ends of the pin are outside the hanger bracket assembly (see Fig 8).

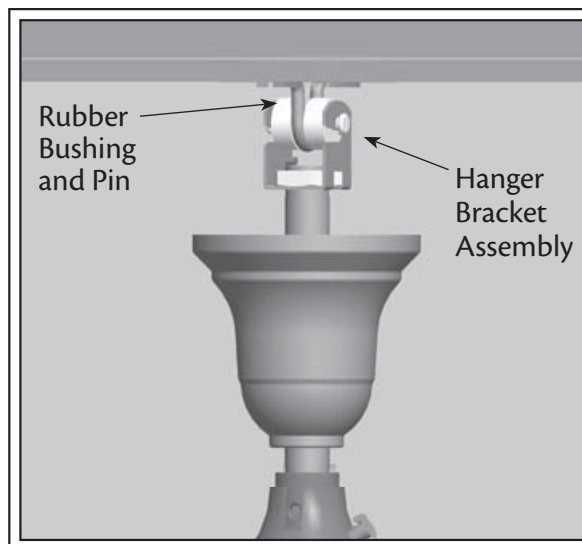


Fig. 8

Wiring the Fan

⚠ CAUTION ⚠
BE CERTAIN THAT THE ELECTRICITY IS TURNED OFF AT THE MAIN PANEL BEFORE STARTING THIS SECTION.

NOTE: All wiring must be in accordance with national and local electrical codes and ANSI/NFPA 70-1999. If you are unfamiliar with wiring, use a qualified electrician.

Wall switches are not included. Select an acceptable general-use switch in accordance with national and local electrical codes.

1. Before attempting installation, make sure the power is still off.
2. To connect the wires, hold the bare metal leads together and place a wire nut over them, then twist clockwise until tight. For all these connections use the wire nuts provided.
3. Connect the bare or green ground wire (grounded) from the ceiling to the side of the hanger bracket assembly.
4. Connect the white wire (ungrounded) from the ceiling to the white wire (ungrounded) from the fan.
5. Connect the remaining wires as follows:

Dual Switch Wiring (see Fig. 9):

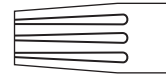
- The black wire (ungrounded) from the ceiling to the black wire (ungrounded) from the fan.
- The black/white wire (ungrounded) from the fan to the wire (ungrounded) from the wall switch.

Single Switch Wiring (see Fig. 10):

- The black wire (ungrounded) from the ceiling to the black (ungrounded) and the black/white wire (ungrounded) from the fan.

⚠ CAUTION ⚠
NO BARE WIRES OR WIRE STRANDS SHOULD BE VISIBLE AFTER MAKING CONNECTIONS.

6. Turn the splices upward and push them carefully into the outlet box.
7. Spread the wires apart, with the grounded wires on one side of the outlet box and the ungrounded wires on the other side of the outlet box.



Wire Nut

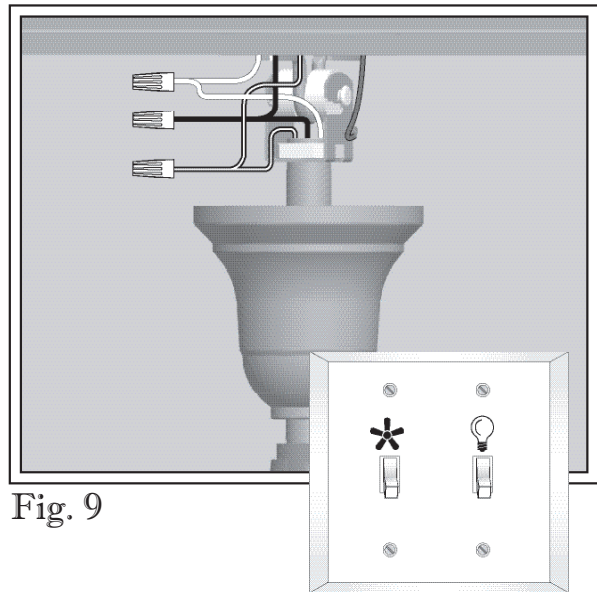


Fig. 9

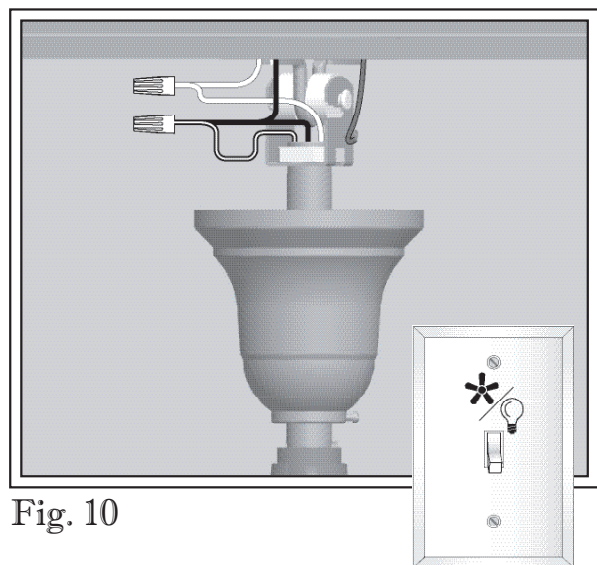


Fig. 10

Installing The Canopy

1. Partially install the fillister head #8-32 set screw.
2. Slide canopy up close to ceiling.
3. Tighten the canopy fillister head #8-32 set screw (see Fig. 11).

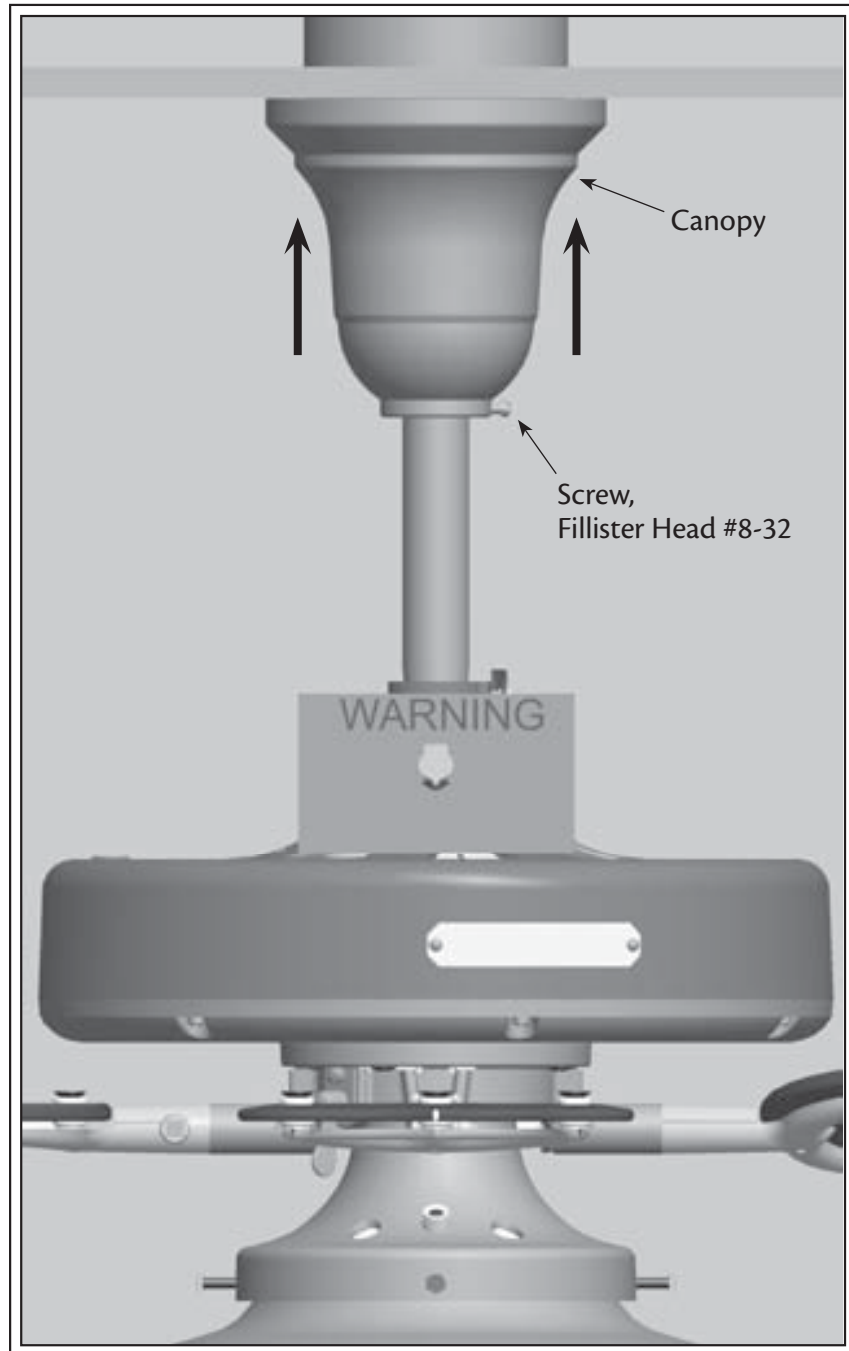
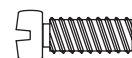


Fig. 11



Screw,
Fillister Head #8-32

⚠ CAUTION ⚠

DO NOT TURN FAN ON UNTIL LUBRICATION HAS BEEN ADDED. TO OPERATE THE FAN WITHOUT OIL OR WITH LOW OIL WILL VOID YOUR WARRANTY.

Adding Oil

1. Your fan has been shipped without oil in the motor.
2. A 1-ounce tube of high grade SAE 10 non-detergent oil is packaged in the sack parts.
3. All of the oil in the tube must be put into the fan.
4. Cut the tip off the end of the tube and place the tube into the oil hole (see. Fig. 12).

NOTE: To avoid overflowing during filling, allow oil to gravity flow about one minute to fill the oil reservoir. (It may be necessary to puncture the tube to allow air in.)

Checking Oil

1. Check oil level immediately after filling the reservoir and every 1 to 5 years thereafter.
2. To check oil, bend an ordinary pipe cleaner into 1/2" long hook and dip it into the oil reservoir.
3. If the oil touches the end of the pipe cleaner, the fan has ample oil. If it does not touch, add SAE 10 non-detergent oil slowly until it touches the pipe cleaner. (see. Fig. 13).

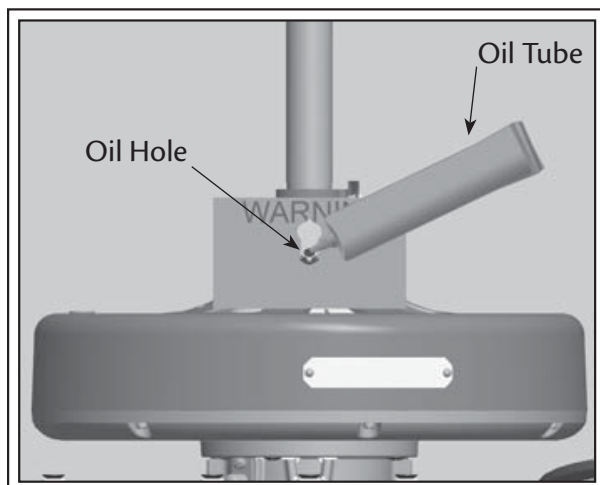


Fig. 12

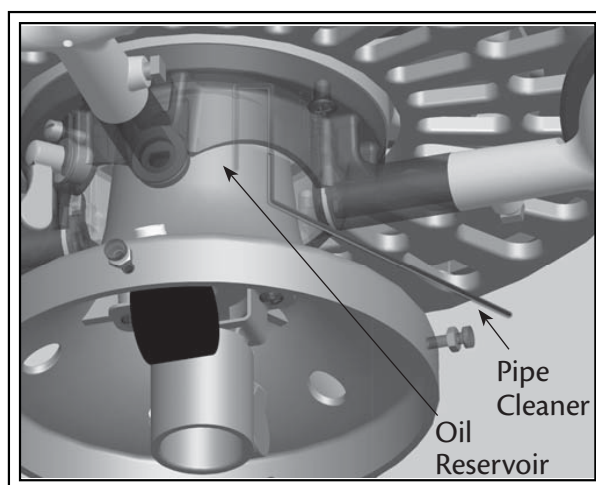


Fig. 13

Your Original Hunter's Unique Lubricating System

The bearings are submerged in a bath of oil. The oil moves up a spiral groove in the shaft, lubricating all bearing surfaces as the fan operates. The Lubrication System does not normally "use up" or require the addition of extra oil once the oil reservoir has been filled to the correct level. This unique lubrication system is one reason your Original Hunter Ceiling Fan will last a lifetime. It is highly unlikely that you will ever need to add oil to your Original fan once it is installed. Should you move your fan to another location, it is a good idea to check the oil reservoir. Hunter has developed an accessory 'Original Relocation Kit' that includes all mounting hardware and a fresh tube of oil for this reason. The model number is 22360.

Fan Blade Assembly

⚠ CAUTION ⚠

TO REDUCE THE RISK OF PERSONAL INJURY, DO NOT BEND THE BLADE BRACKETS WHEN INSTALLING THE BRACKETS, BALANCING THE BLADES, OR CLEANING THE FAN. DO NOT INSERT FOREIGN OBJECTS IN BETWEEN ROTATING FAN BLADES.

Installation Of Fan Blade Assembly

1. Loosen the blade assembly screw, but do not remove.
2. Align the blade base assembly screw with the Adapt Air blade shaft counter sink (see Fig. 14).
3. Slide the blade assembly onto the Adapt Air blade shaft. (see Fig. 15).
4. Before tightening the blade assembly screw, slightly turn blade assembly while hand tightening the set screw.
5. Tighten the blade assemble screw with pliers or adjustable wrench.

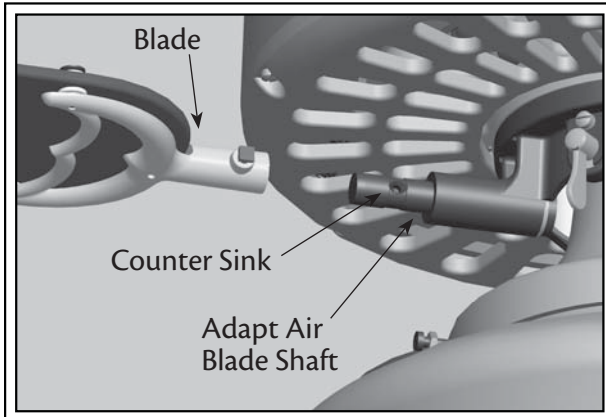


Fig. 14

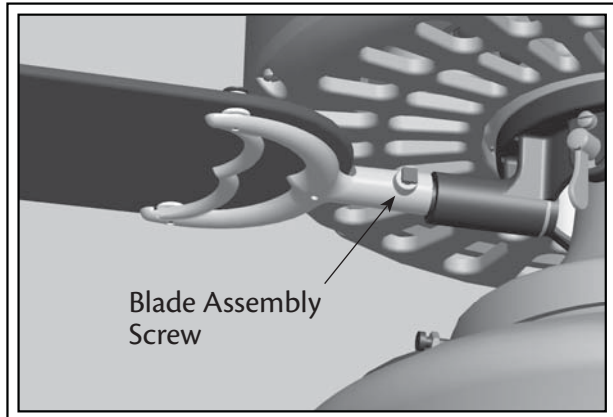


Fig. 15

Installing Bulb And Globe

1. Make sure the fan and light circuits are off before installing the 19 watt CFL (Compact Fluorescent Light) bulb.
2. Insert and screw the CFL bulb into the light socket turning the CFL bulb clockwise (see. Fig. 16).

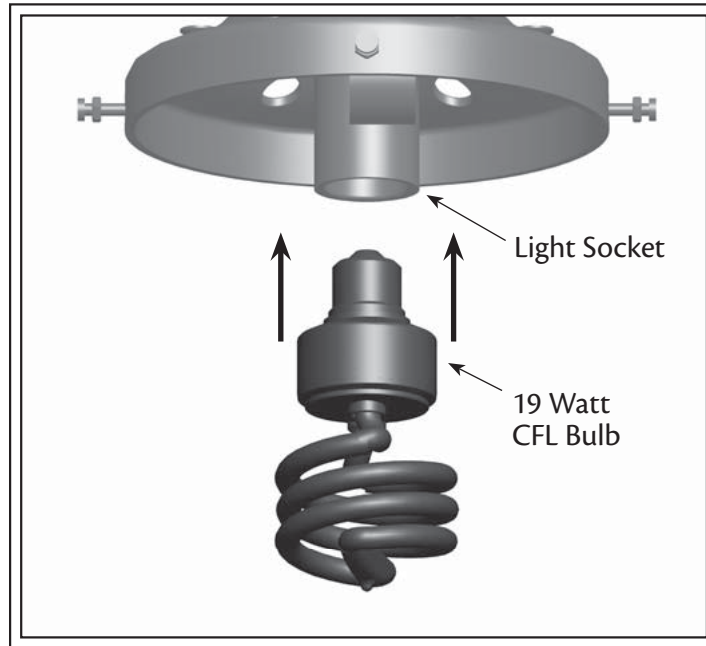


Fig. 16

4. Slide the globe into the fitter and tighten the thumb screws until globe is secure.
NOTE: Do not overtighten thumb screws, this can cause globe to crack.
5. Tighten the locking nut to keep thumb screw from loosening (see Fig. 17).
6. Turn on the power at the main junction box.

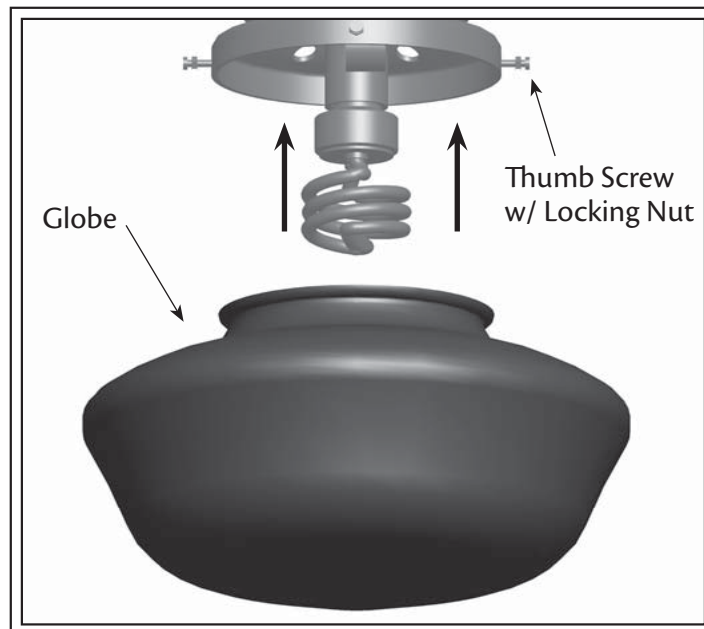


Fig. 17

1. The fan pull chain controls power to the fan. The pull chain has four settings in sequence: High, Medium, Low and Off.
 - Pull the chain slowly to change settings.
 - Release slowly to prevent the chain from recoiling into the blades.
 - The chain uses a breakaway connector that separates if the chain is jerked. If this happens, simply reinsert the chain into the connector (see Fig. 18).
2. The light pull chain controls power to the light. The pull chain has two settings: On and Off.
3. For cleaning finishes, use a soft brush or lint-free cloth to prevent scratching. A vacuum cleaner brush nozzle can remove heavier dust. Remove surface smudges or accumulated dirt and dust using a mild detergent and a slightly dampened cloth. You may use an artistic agent, but never abrasive cleaning agents as they will damage the finish.
4. Clean wood finish blades with a furniture polishing cloth. Occasionally, apply a light coat of furniture polish for added protection and beauty.

To Reverse The Flow Of Air.

1. Move the directional lever all the way to the left side for down draft (see Fig. 19).
2. Move the directional lever all the way to the right side for up draft (see Fig. 19).

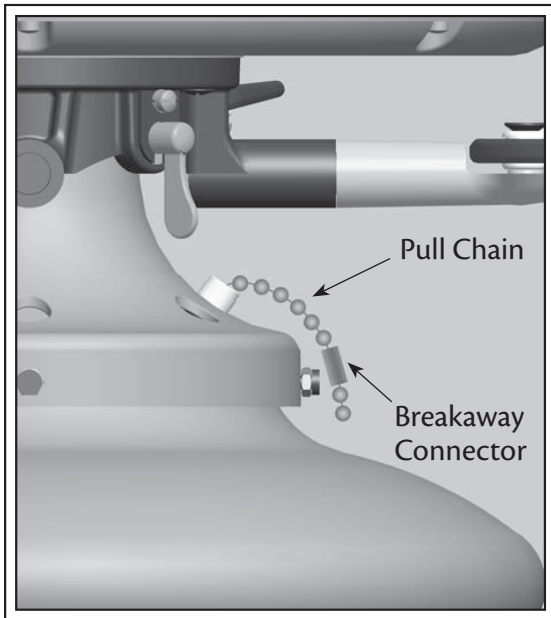


Fig. 18

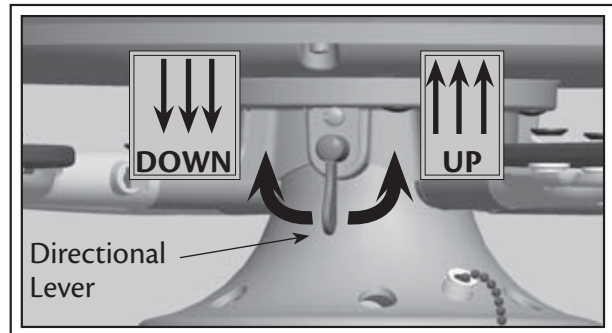


Fig. 19

Troubleshooting Guide

Problem: Nothing happens; fan does not move.

1. Turn power on, replace fuse, or reset breaker.
2. Check all connections according to the wiring the fan section.
3. Pull the pull chain to ensure it is on.

Problem: Noisy operation.

1. Tighten the blade assembly screws until snug.
2. Check to see if the blade is cracked. If so, replace all the blades.

Problem: Excessive wobbling.

1. If your fan wobbles when operating, use the enclosed balancing kit and instructions to balance the fan.

If you need parts or service assistance, please call
888-830-1326 or visit us at our WEB site at
<http://www.hunterfan.com>.

Hunter Fan Company
2500 Frisco Avenue
Memphis, Tennessee 38114

Notes

16

