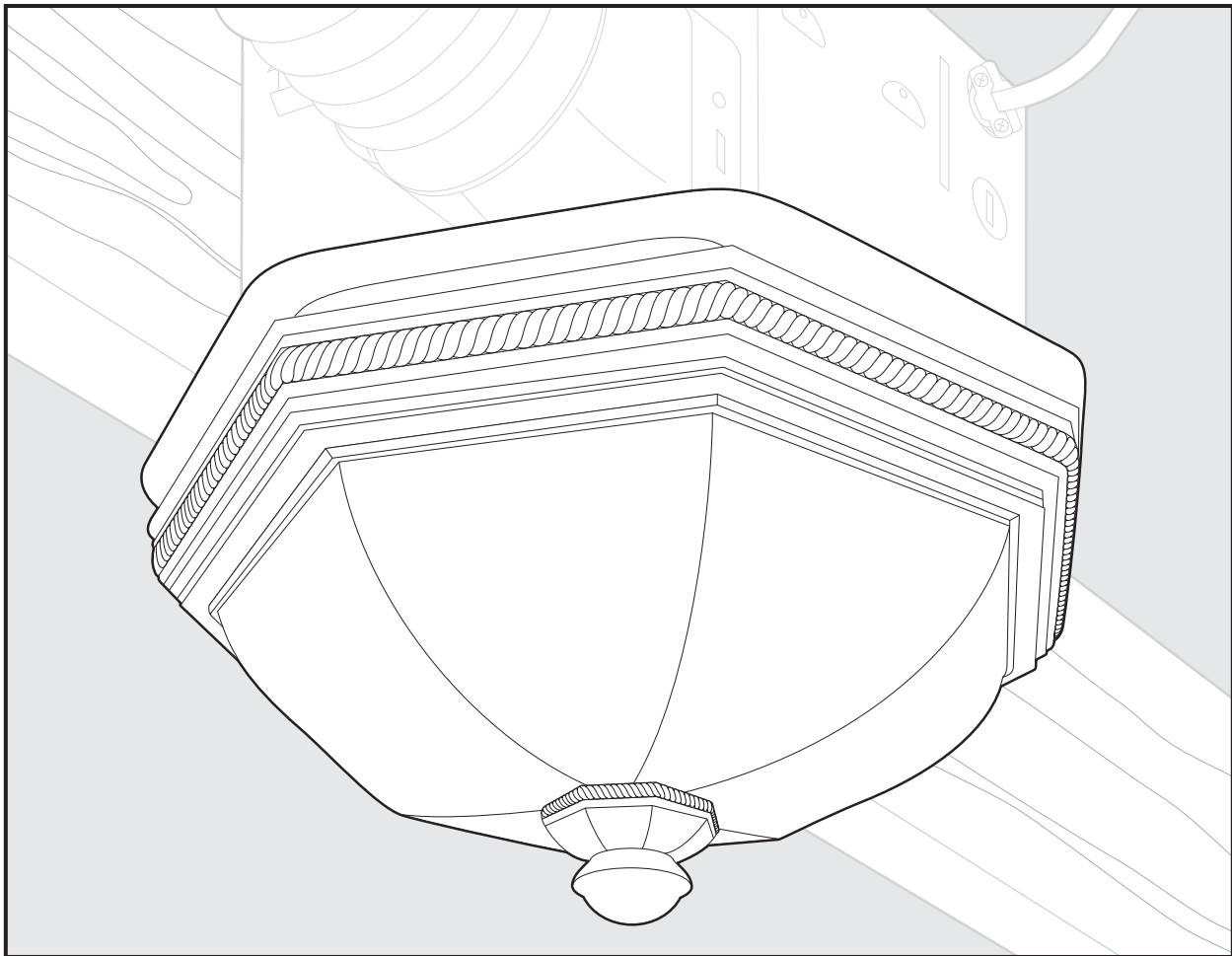




**SINCE**

**1886**

**I n s t a l l a t i o n   G u i d e**



**Model 82023 Belle Meade Bath Ventilator with Light  
READ and SAVE THESE INSTRUCTIONS**

ENGLISH  
See page 2

ESPAÑOL  
Vea la página 21

FRANCAIS  
Voir la page 41



# W A R N I N G

## TO REDUCE THE RISK OF ELECTRIC SHOCK OR INJURY, OBSERVE THE FOLLOWING:

1. Use this unit only in a manner intended by the manufacturer. If you have questions, contact the manufacturer at the phone number or address listed in the warranty.
2. Before installing, servicing, or cleaning the unit, disconnect the power by turning off the circuit breakers to the outlet box and associated wall switch location. If you cannot lock the circuit breakers in the off position, securely attach a prominent warning device, such as a tag, to the service panel.
3. Installation work and electrical wiring must be done by qualified person(s) in accordance with all applicable codes and standards, including fire-rated construction codes and standards.
4. When cutting or drilling into wall(s) or ceiling, do not damage electrical wiring or other hidden utilities.
5. Ducted fans must always be vented to the outdoors. Keep ducting as short and as straight as possible.
6. Acceptable for use over a bathtub or shower when connected to a GFCI protected branch circuit.
7. Install fan at least 5 feet (1.52 m) above the floor.
8. Never place a switch where it can be reached from a tub or shower.
9. This unit must be grounded.



# CAUTION

1. For general ventilating use only. Do not use for ventilating hazardous or explosive materials.
2. To avoid motor bearing damage and noisy/unbalanced impellers, keep drywall spray, construction dust, etc. off power unit.
3. DO NOT install this product in a wall. This product is designed for installation in ceilings up to a 12/12 pitch (45 degrees). Ductwork must point upward.
4. Please read specification label on product for further information and requirements.



# WARNING

**DISCONNECT  
ELECTRIC  
POWER SUPPLY  
AND LOCK OUT  
SERVICE PANEL  
BEFORE  
SERVICING UNIT**

## PREVENTATIVE MAINTENANCE

A clean fan provides better service. Disconnect the power supply and clean the fan as listed below.

### TO CLEAN GRILLE:

Use a mild detergent, such as dishwashing liquid, and a soft cloth. DO NOT use abrasive cloths, steel wool pads or scouring powders.

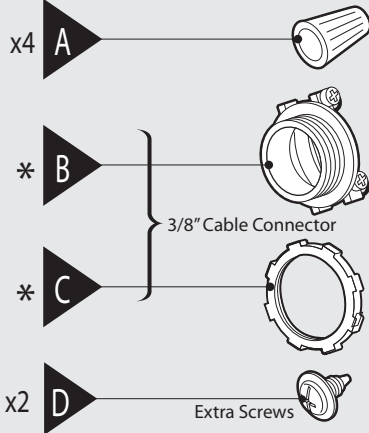
**TO CLEAN FAN ASSEMBLY:** Unplug motor cord from receptacle. To remove motor plate, find the single tab on the motor plate (located next to the receptacle). Push up rear motor plate tab while pushing out on the side of the housing or insert a screwdriver into the slot in the housing (next to tab) and twist screwdriver. Gently vacuum fan, motor and interior of housing.

METAL AND ELECTRICAL PARTS SHOULD NEVER BE IMMERSSED IN WATER.

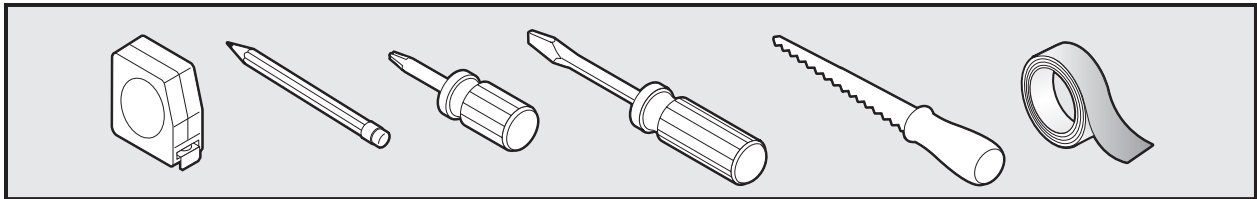
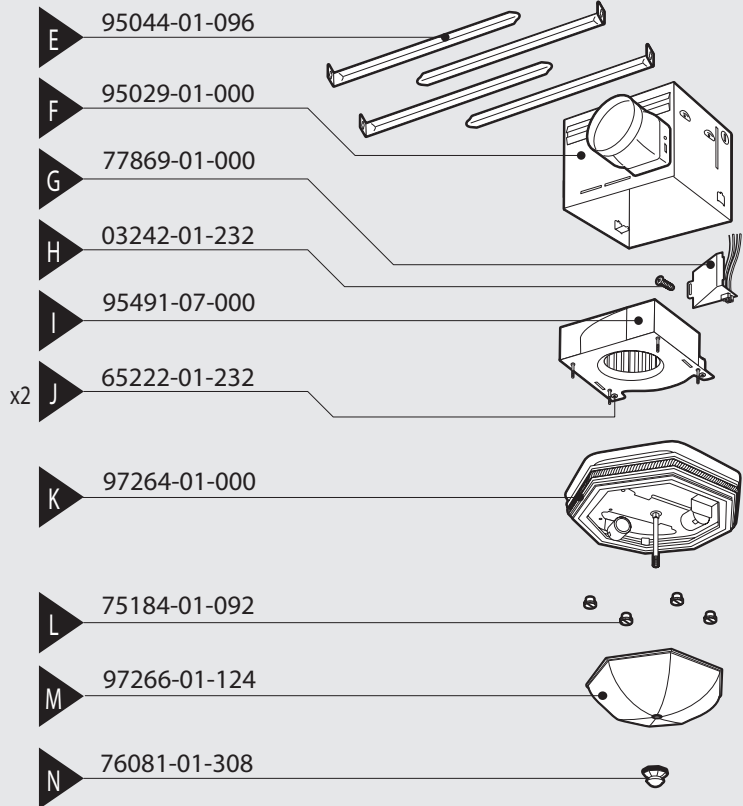
## MAINTENANCE

The motor is permanently lubricated and never needs oiling. If the motor bearings are making excessive or unusual noises, replace the motor with the exact service motor. You should replace the impeller at the same time.

Check all the parts.  
If damaged, call  
1-888-830-1326  
for replacements.



\* NOTE: Strain relief cable connector  
must be installed. Not  
Included.

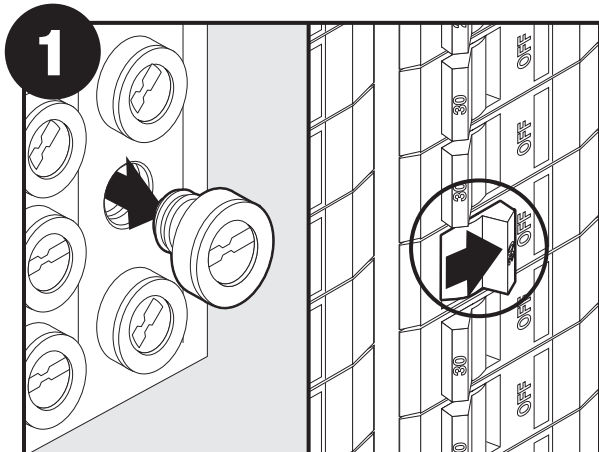


Tools Needed. (Not supplied.)

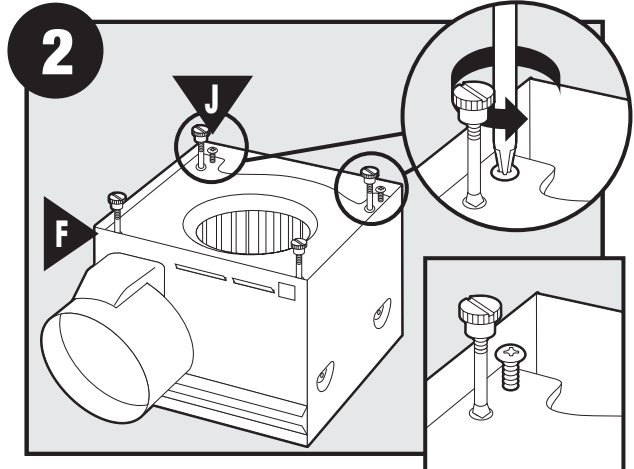
Estimated assembly time: 30 to 60 minutes

## Before Installation

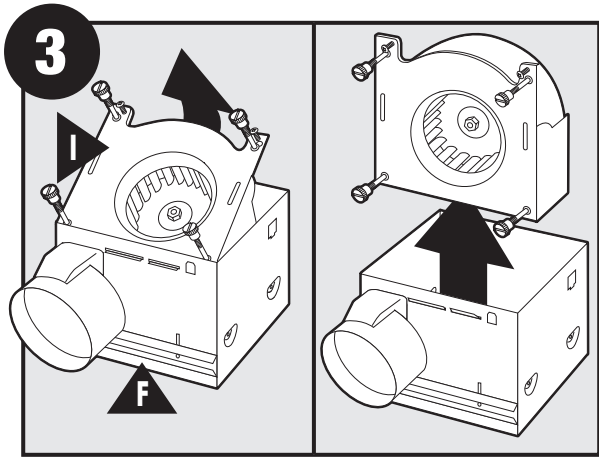
NOTE: Remove all packing materials before installation.



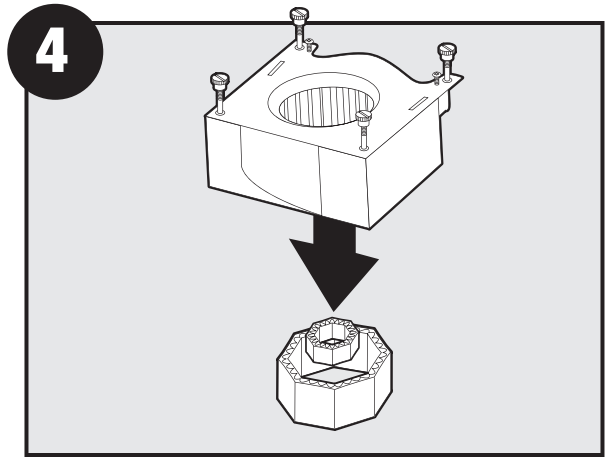
Turn off the power source.



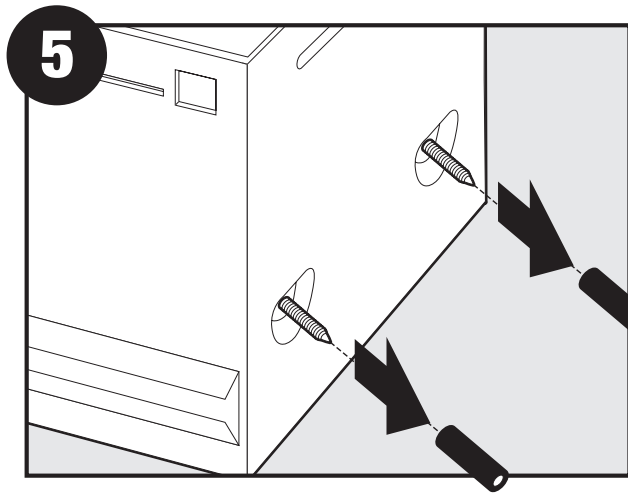
Loosen screws.



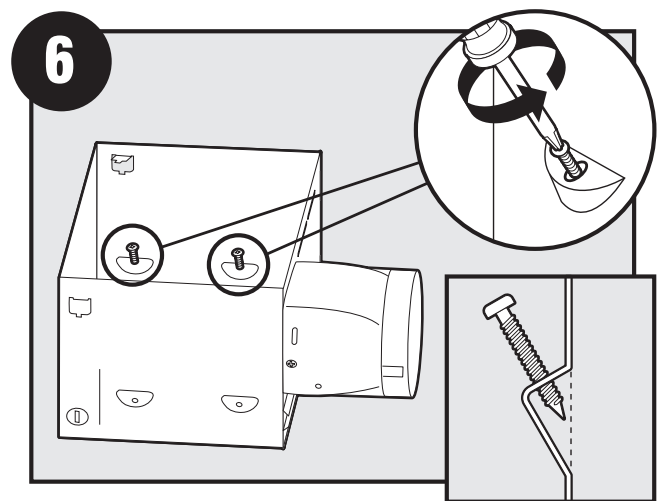
Remove the motor/blower from the housing.



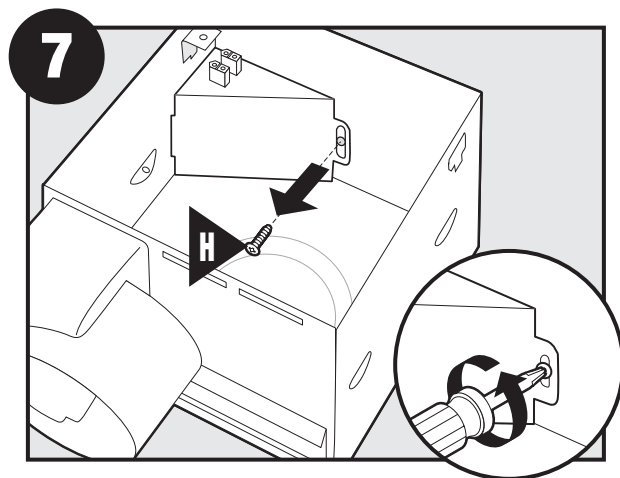
Remove packing material.



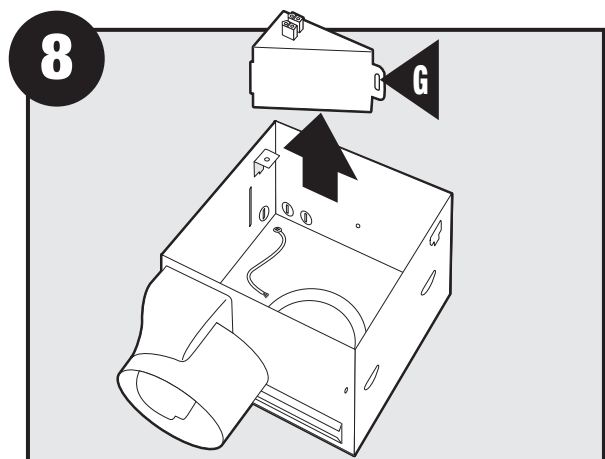
Remove the pre-loaded screw tip covers.



Back out the pre-loaded screw tips until flush with the side of the housing.

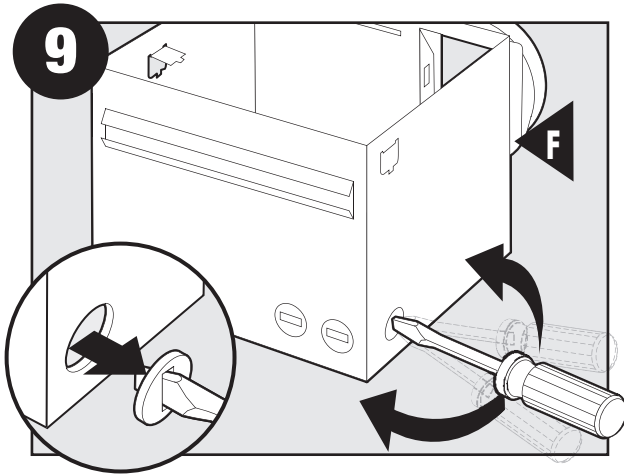


Remove the wiring cover screw.

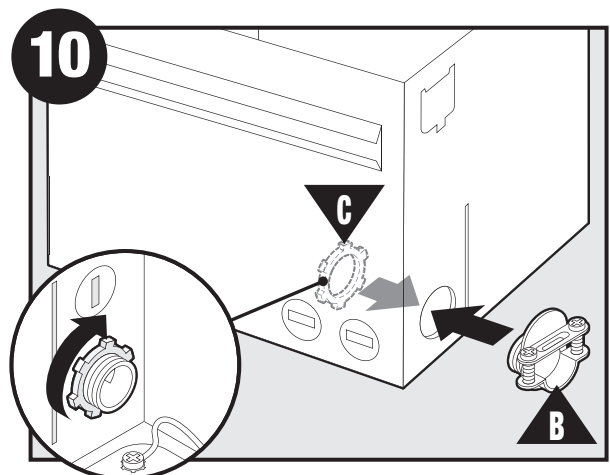


Remove the wiring cover.





Pop out the first wiring access slug. Use second if needed.

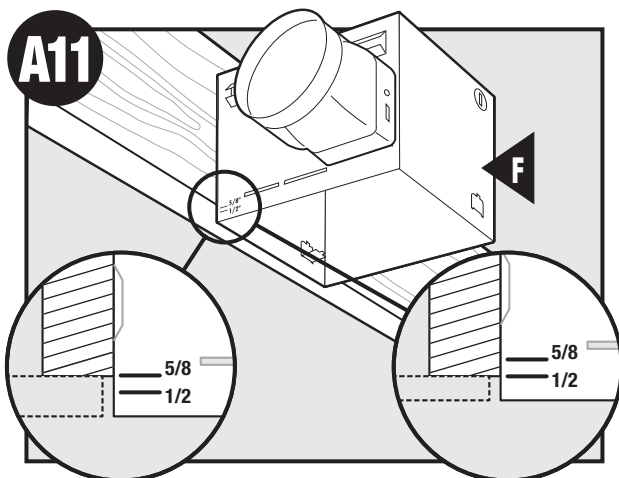


Insert the strain relief (not included) into the housing and secure with washer.

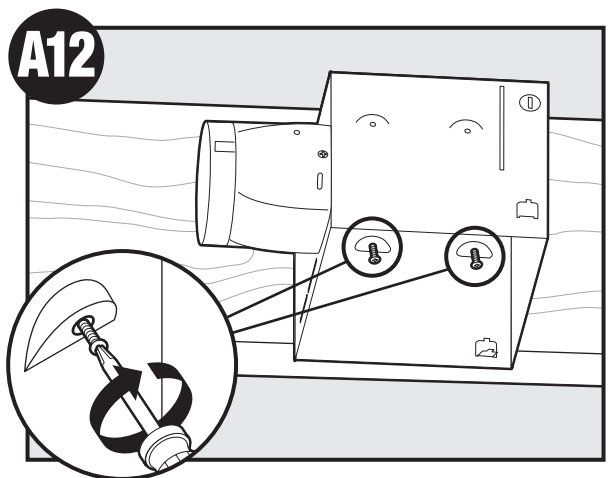
### Choose Installation Option

- For New Construction - attaching to joist go to step A11, page 5
- For New Construction - suspended between joists go to step B11, page 8
- For Existing Construction - accessible from above go to step C11, page 11
- For Existing Construction - accessible only from below go to step D11, page 15

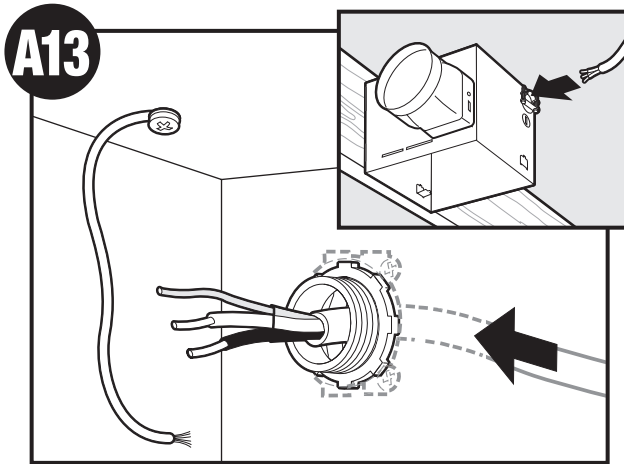
### New Construction - attaching to joist



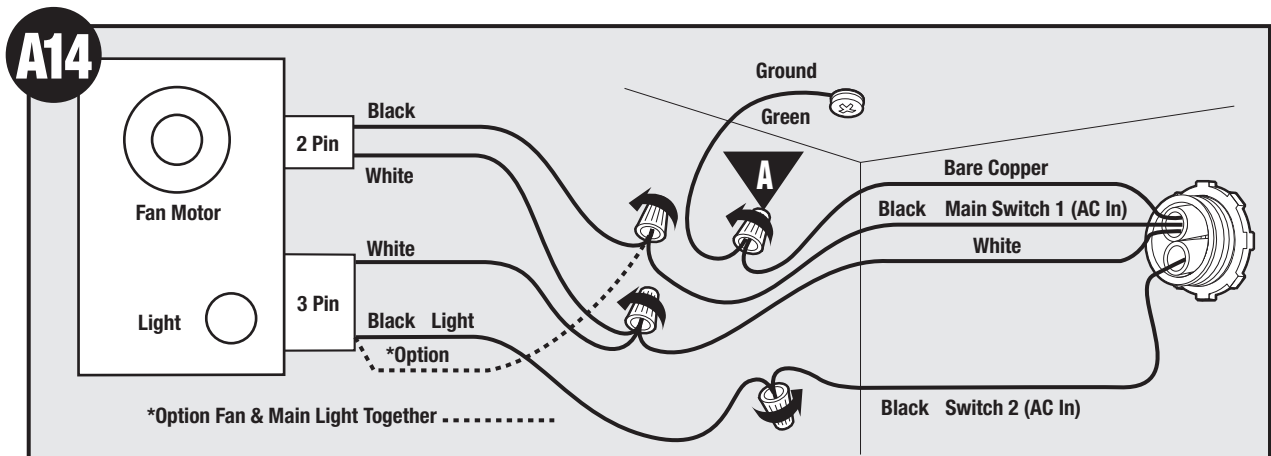
Position the correct depth mark at the bottom edge of the joist based on the thickness of your sheetrock.



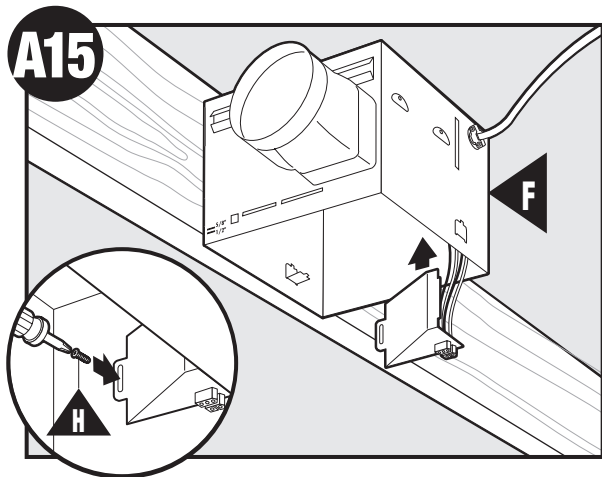
Screw pre-loaded screws into joist or framing.



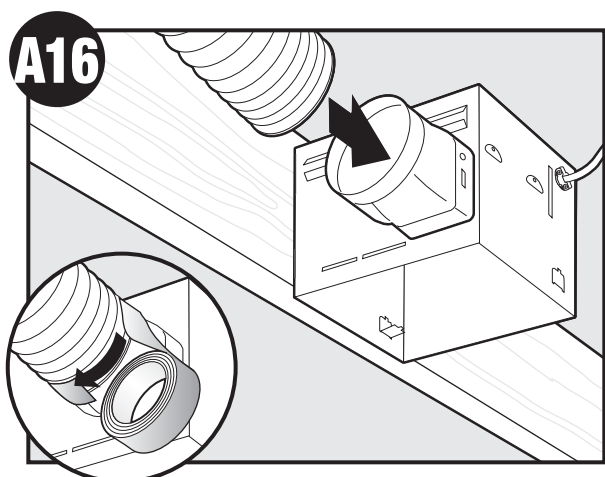
Route wires through the strain relief.



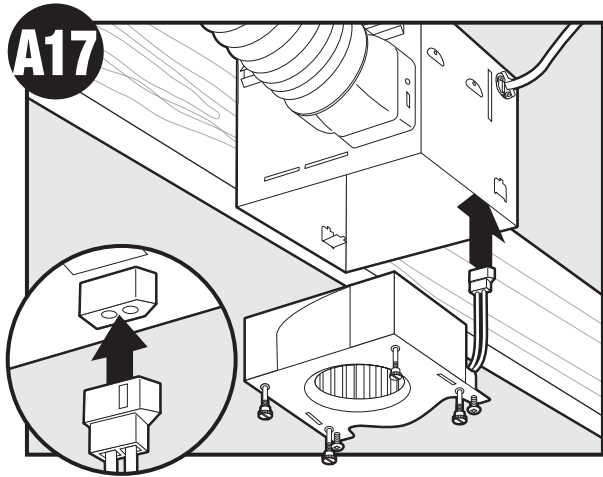
Connect wires as shown.



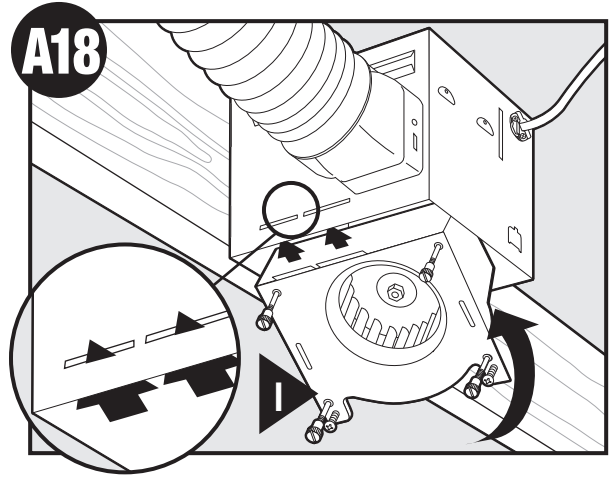
Install the wiring cover plate. Make sure all wiring connections are inside the box or under the wiring cover plate.



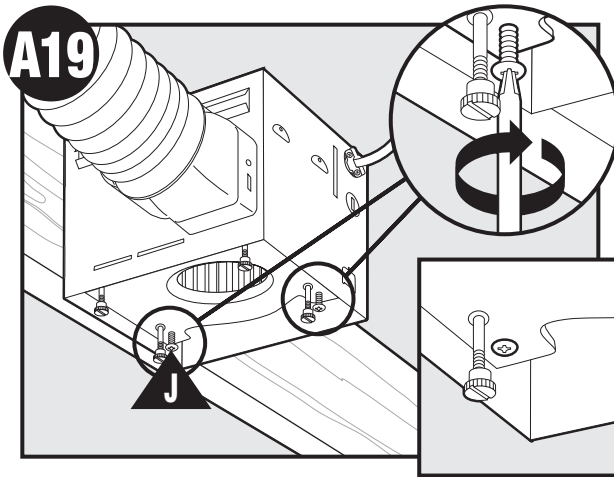
Connect 4" duct and vent to the outside. Tape joints. If ducting does not fit securely, an adapter may need to be purchased.



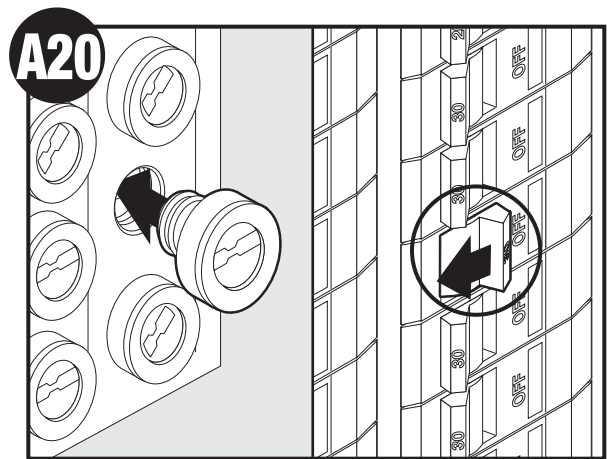
Connect wiring harness. DO NOT ALLOW THE MOTOR TO HANG FROM THE WIRING HARNESS.



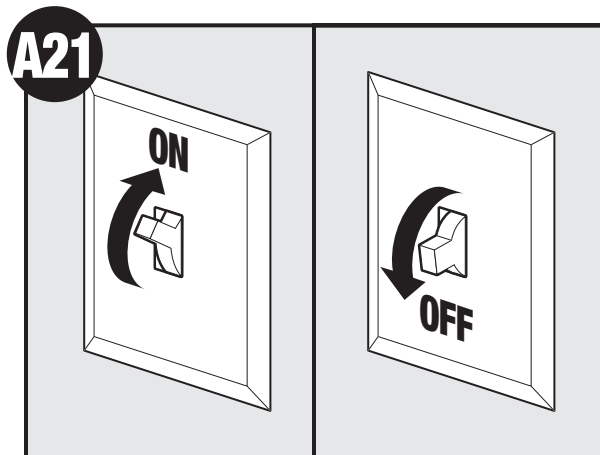
Reinstall the motor by inserting the tabs and pushing up into position. Make sure the wires are not pinched between the motor and the housing.



Secure the motor by tightening the 2 screws.



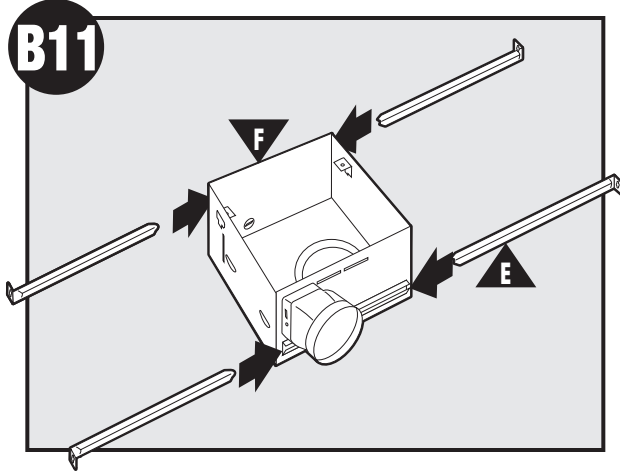
Turn on the power source.



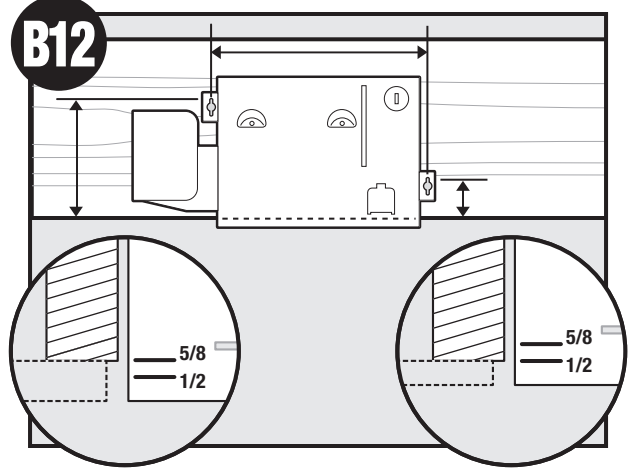
Test the motor. If the motor does not run, check the plug connection.



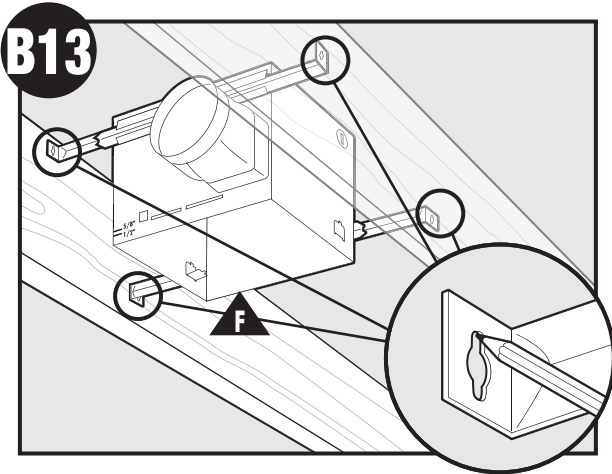
# New Construction – suspended between joists



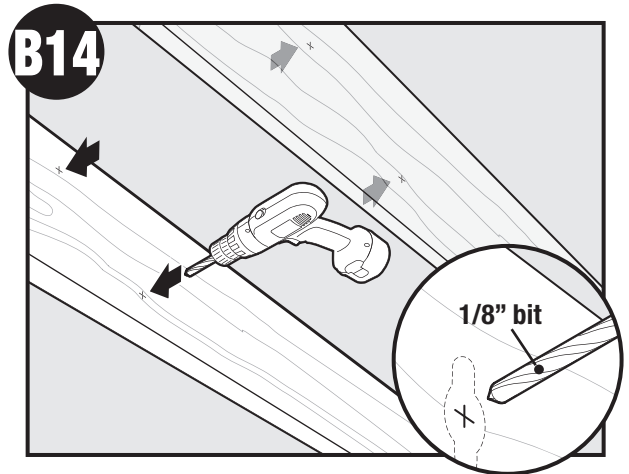
Slide the mounting rails into brackets.



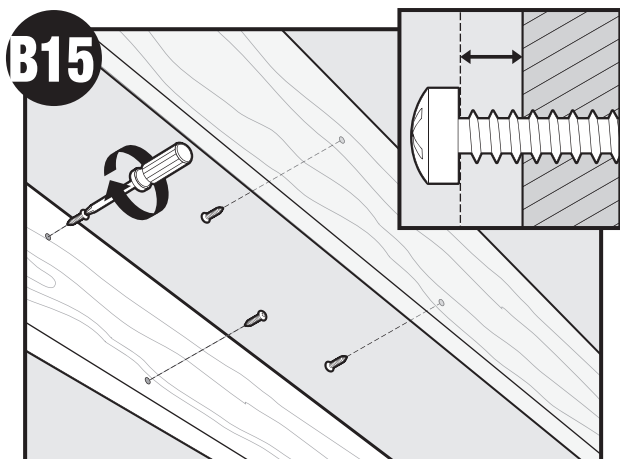
Position the correct depth mark at the bottom edge of the joist based on the thickness of your sheetrock.



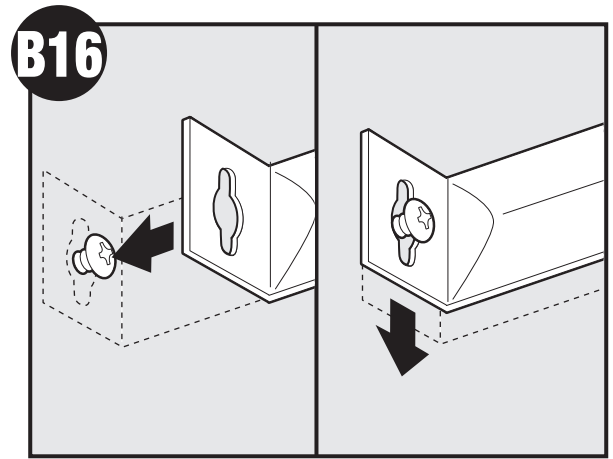
Mark position of screws by using holes as a template.



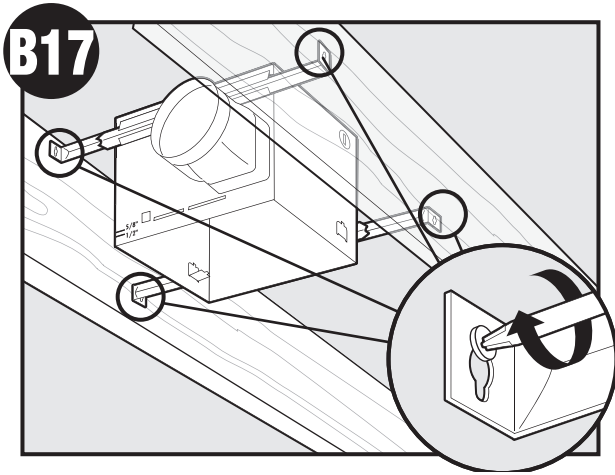
Drill a hole in the center of each outline.



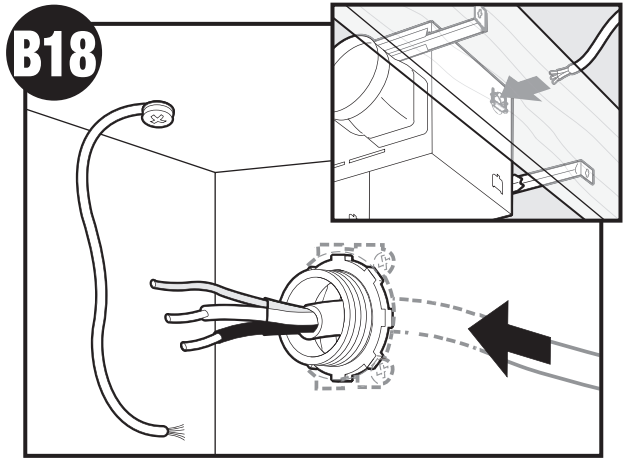
Insert screws, leaving space between the screw head and the joist. Screws are not provided.



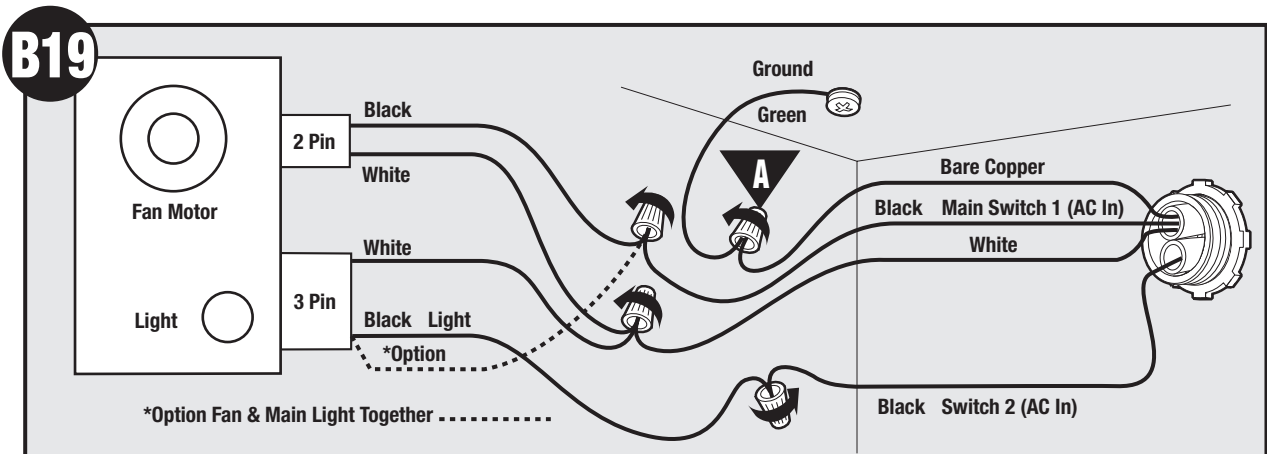
Attach the rails onto the screws.



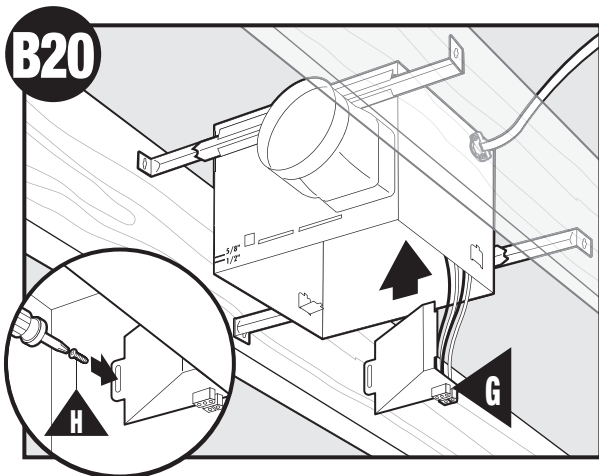
Tighten screws.



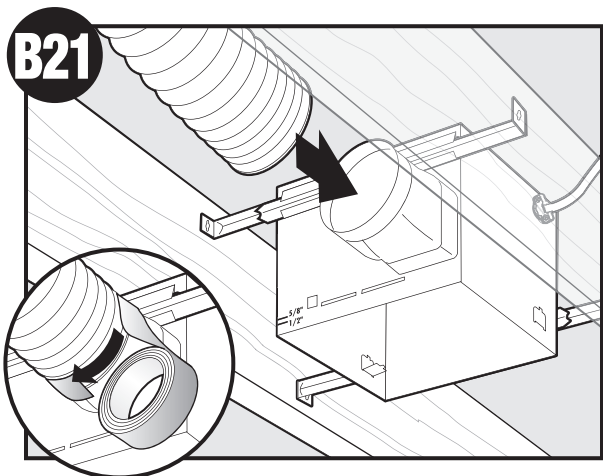
Route wires through the strain relief.



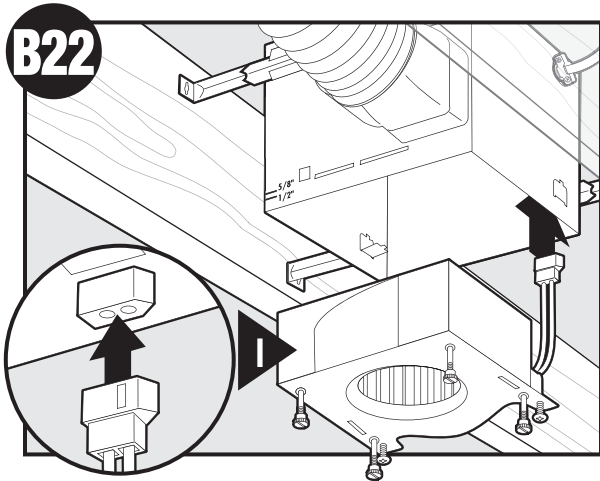
Connect wires as shown.



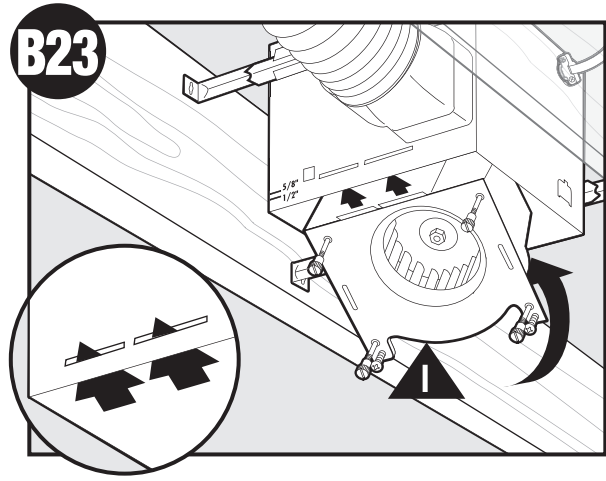
Install the wiring cover plate. Make sure all wiring connections are inside the box or under the wiring cover plate.



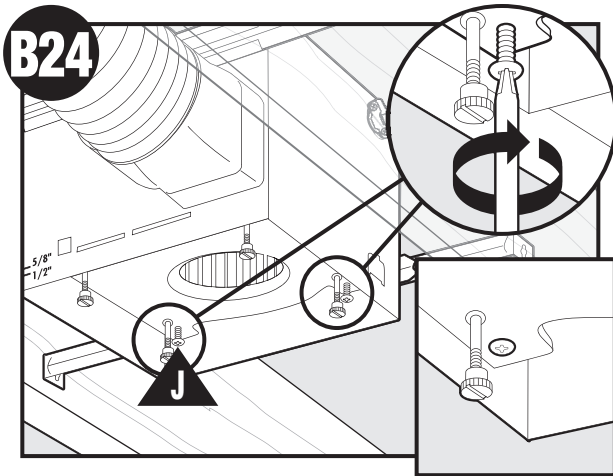
Connect 4" duct and vent to the outside. Tape joints. If ducting does not fit securely, an adapter may need to be purchased.



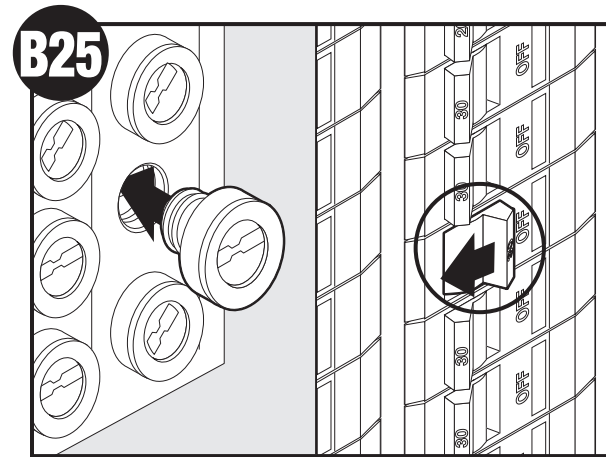
Connect wiring harness. DO NOT ALLOW THE MOTOR TO HANG FROM THE WIRING HARNESS.



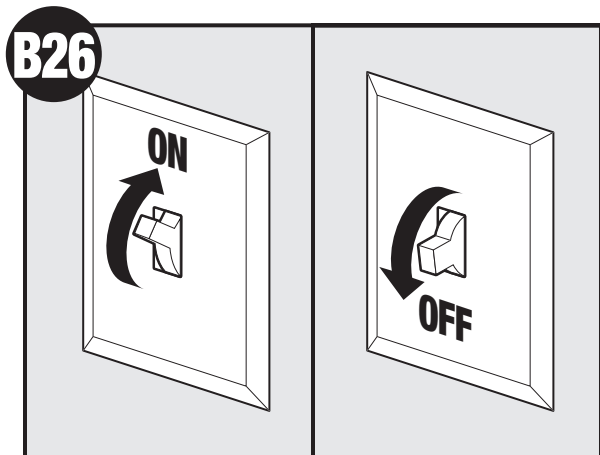
Reinstall the motor by inserting the tabs and pushing up into position. Make sure the wires are not pinched between the motor and the housing.



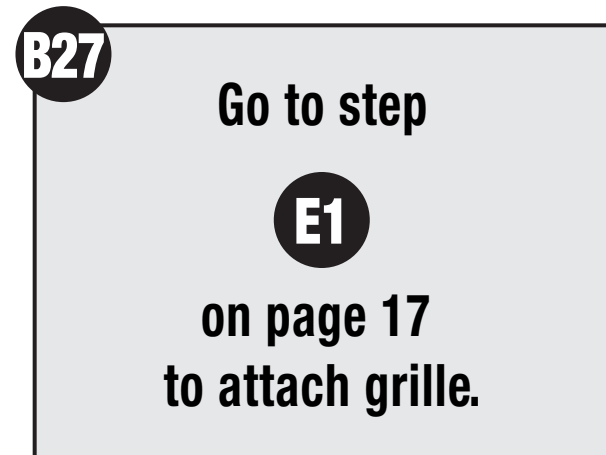
Secure the motor by tightening the 2 screws.



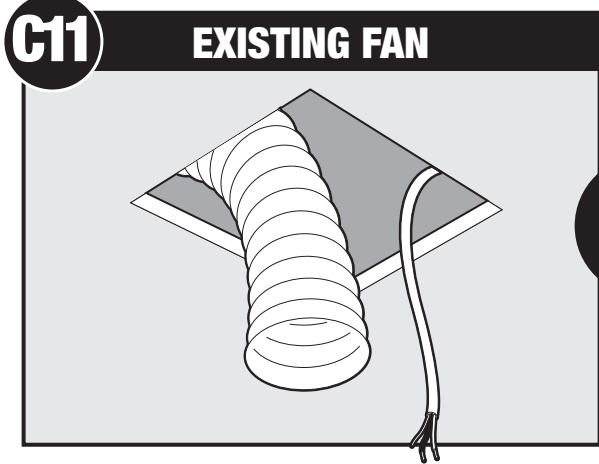
Turn on the power source.



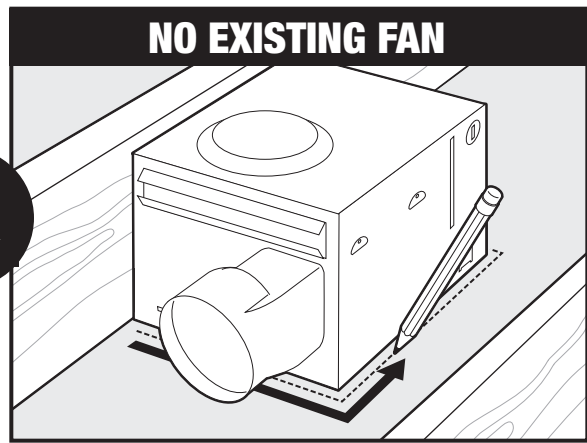
Test the motor. If the motor does not run, check the plug connection.





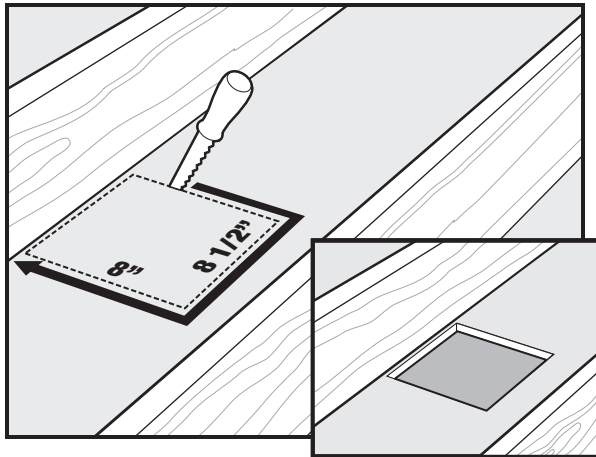


Remove an existing fan and check to make sure the opening is large enough to accommodate the new motor housing (8" x 8 1/2").

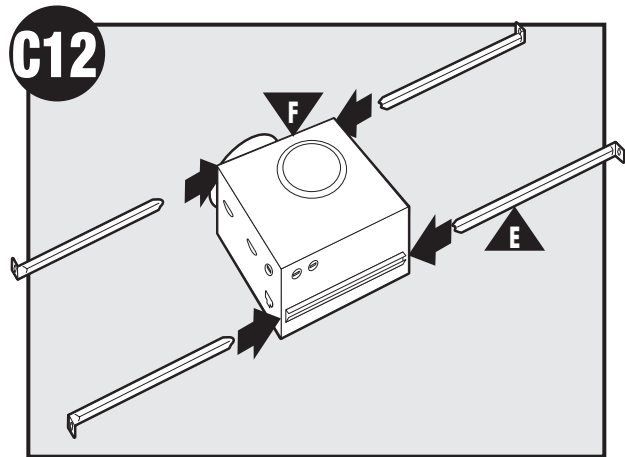


Use the motor housing as a template to mark position.

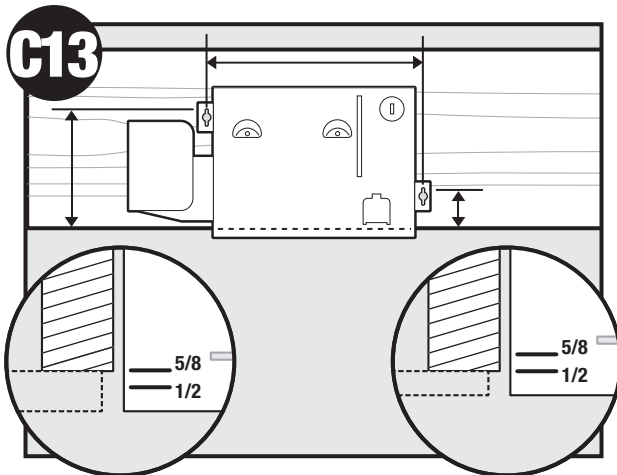
OR



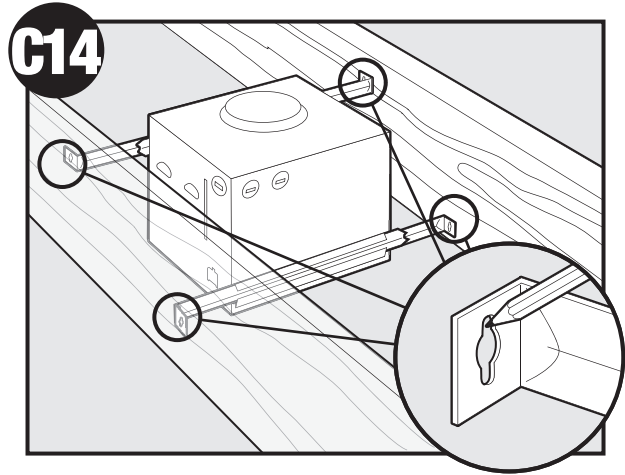
Cut out an opening for the housing.



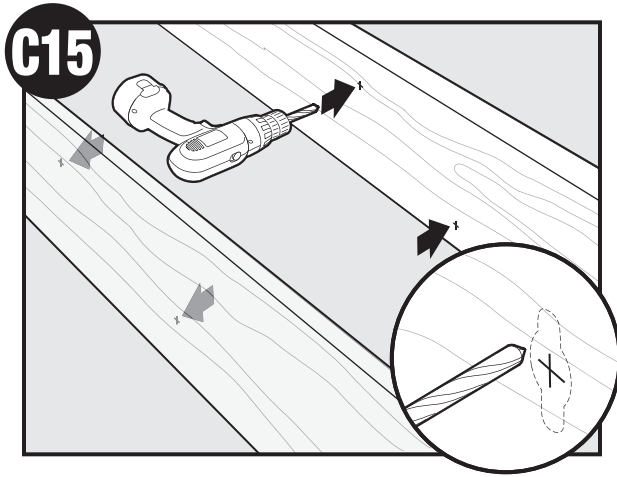
Slide the mounting rails into brackets.



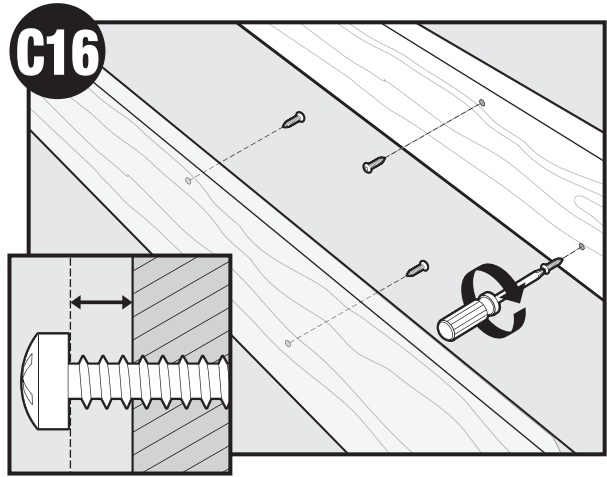
Position the correct depth mark at the bottom edge of the joist based on the thickness of your sheetrock.



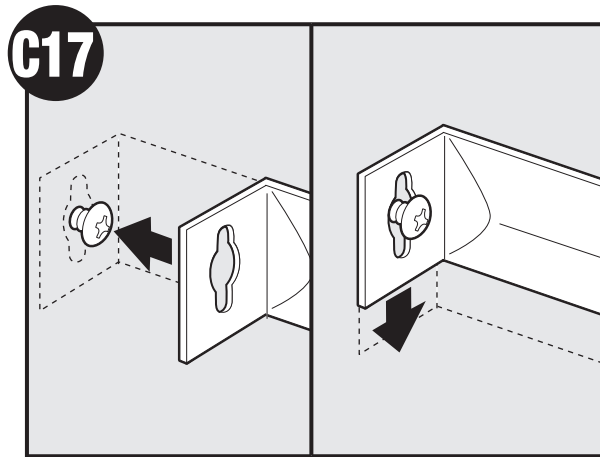
Mark position of screws by using holes as a template.



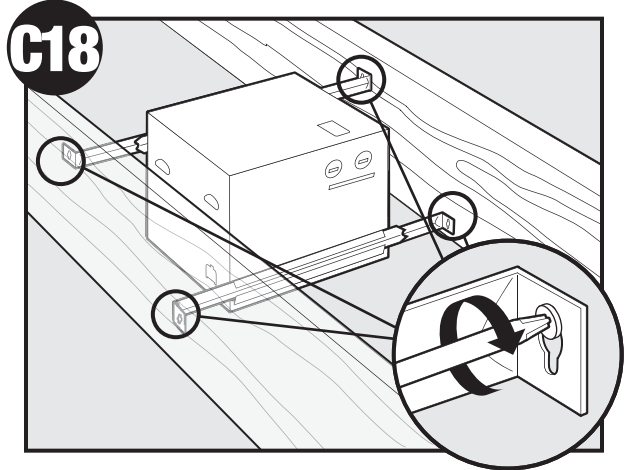
Drill a hole in the center of each outline.



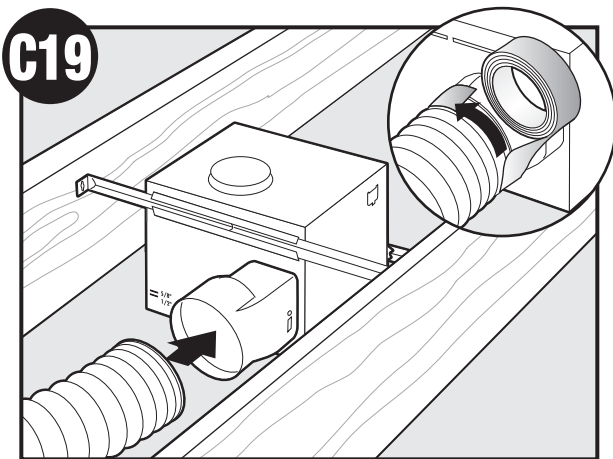
Insert screws, leaving space between the screw head and the joist. Screws are not provided.



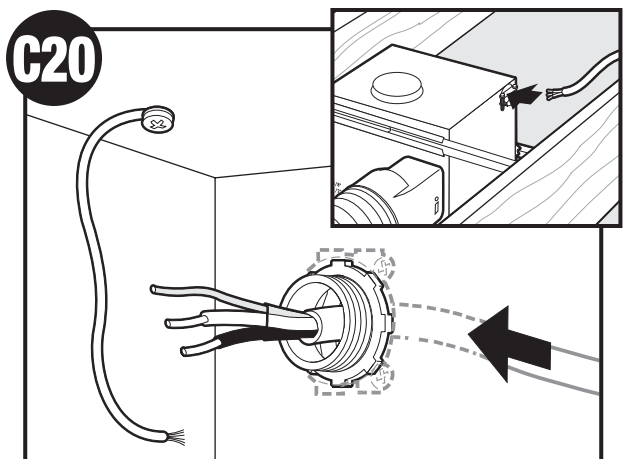
Attach the rails onto the screws.



Tighten screws.

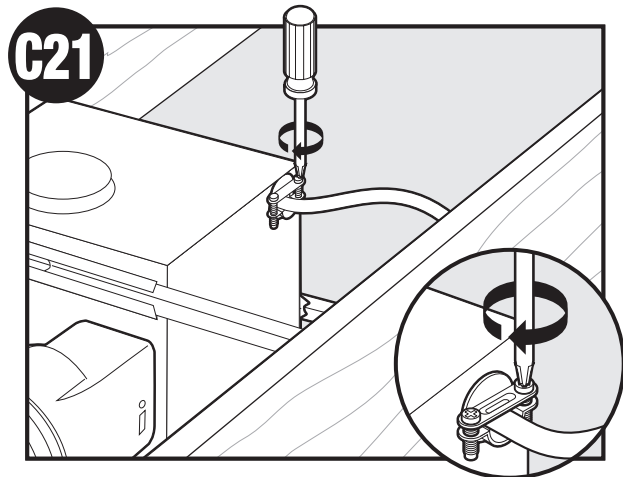


Connect 4" duct and vent to the outside. Tape joints. If ducting does not fit securely, an adapter may need to be purchased.

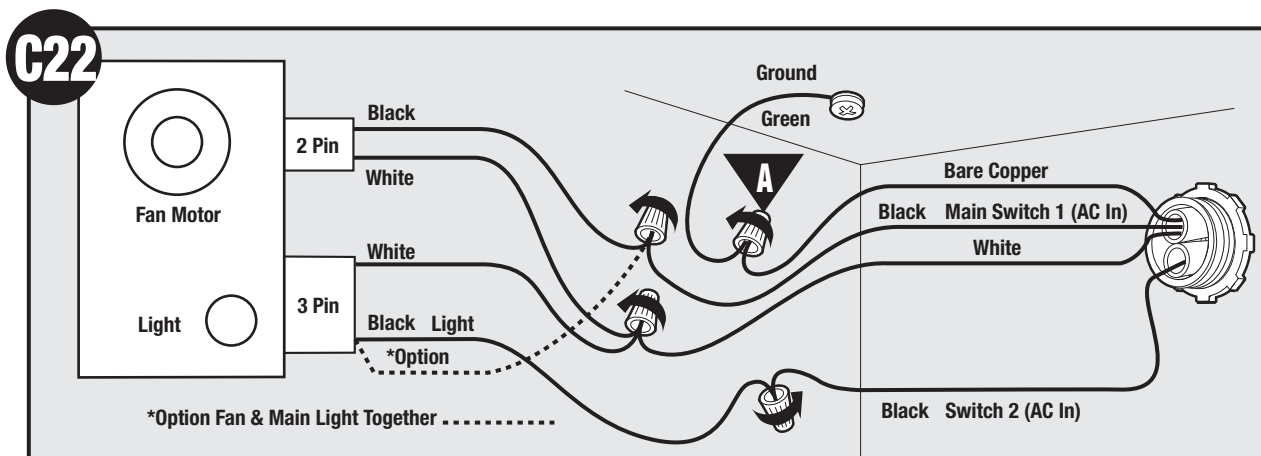


Route wires through the strain relief.

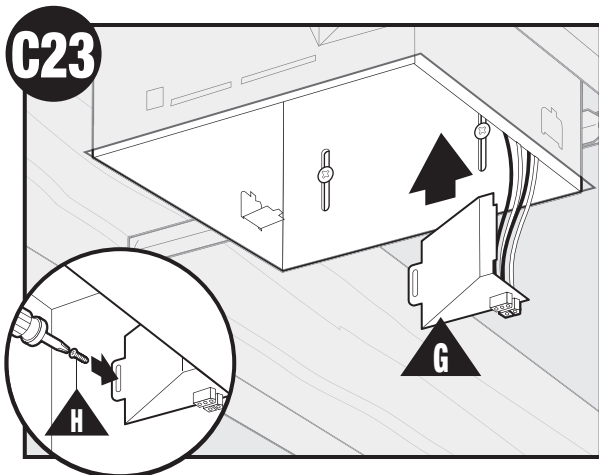




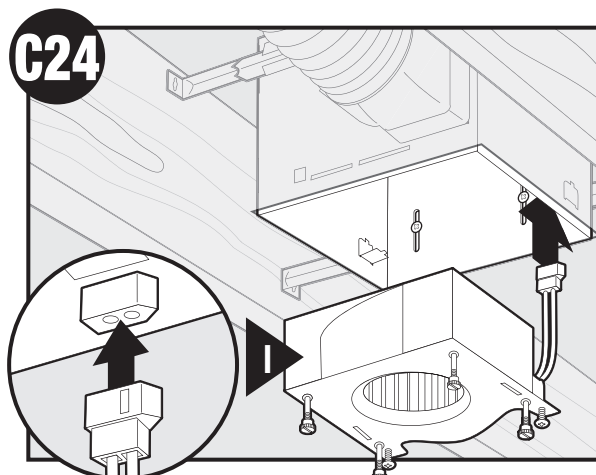
Tighten the strain relief screws.



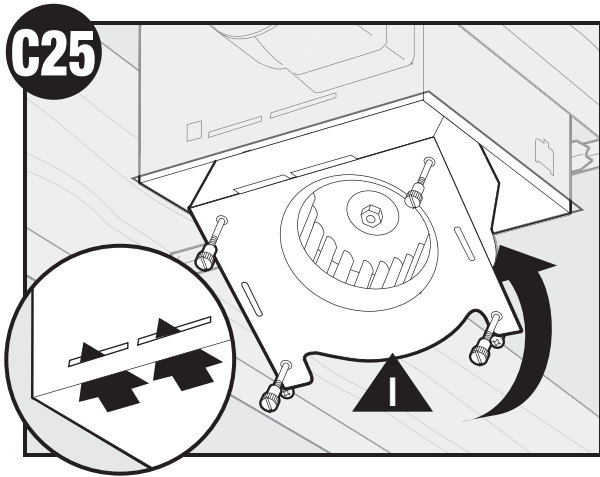
Connect wires as shown.



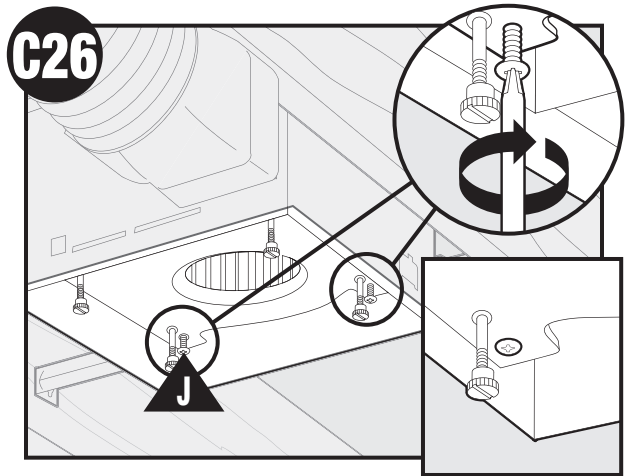
Install the wiring cover plate. Make sure all wiring connections are inside the box or under the wiring cover plate.



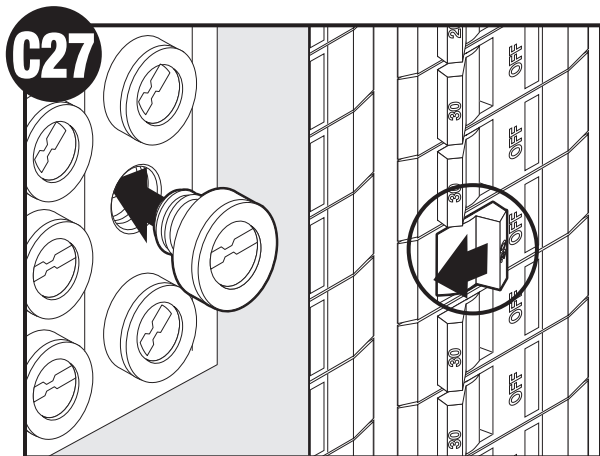
Connect wiring harness. DO NOT ALLOW THE MOTOR TO HANG FROM THE WIRING HARNESS.



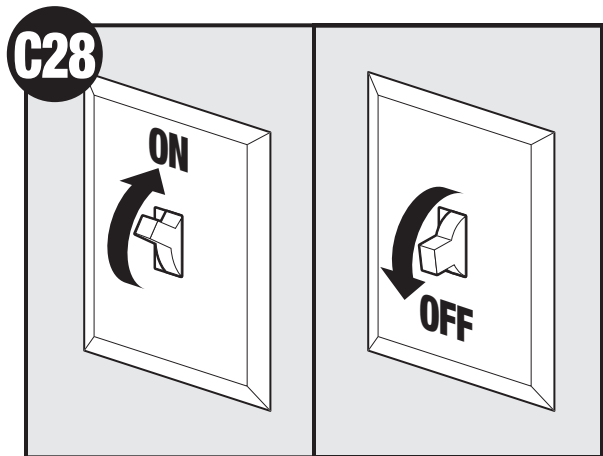
Reinstall the motor by inserting the tabs and pushing up into position. Make sure the wires are not pinched between the motor and the housing.



Secure the motor by tightening the 2 screws.



Turn on the power source.



Test the motor. If the motor does not run, check the plug connection.

**C29**

**Go to step**

**E1**

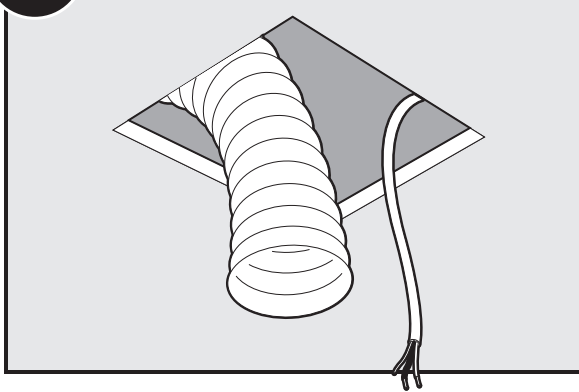
**on page 17**

**to attach grille.**

Existing Construction – accessible only from below

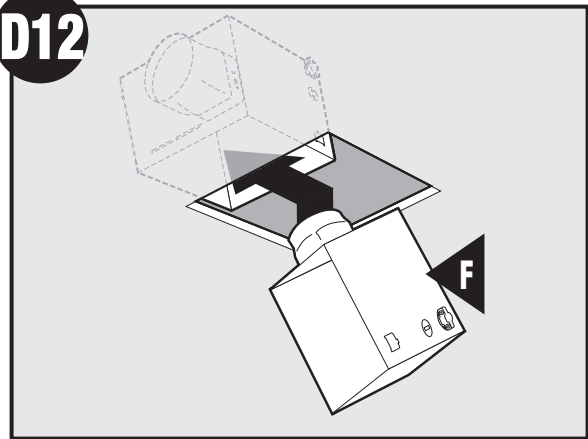
**D11**

**EXISTING FAN**



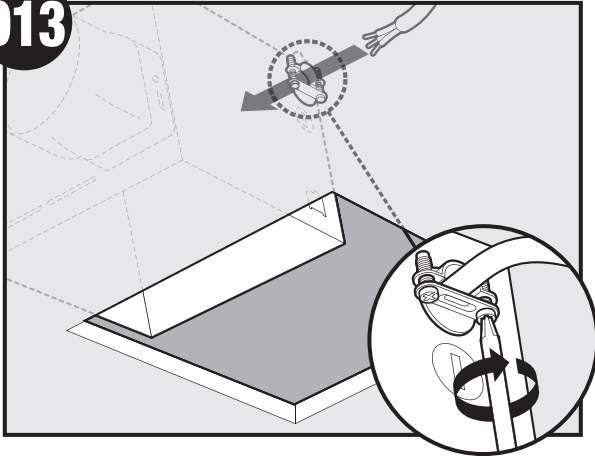
Remove an existing fan and check to make sure the opening is large enough to accommodate the new motor housing (8"x 8 1/2").

**D12**



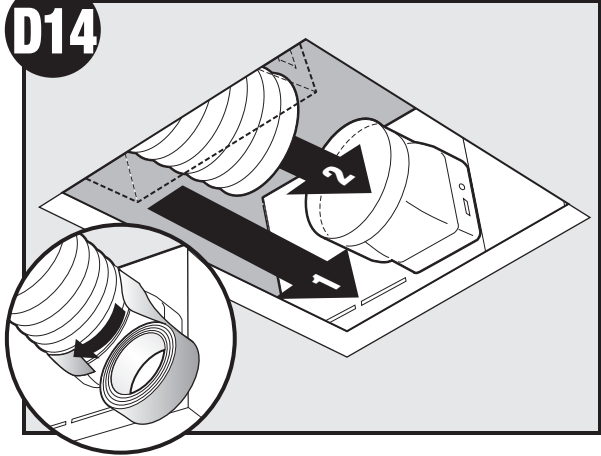
Move the housing into position above the ceiling

**D13**



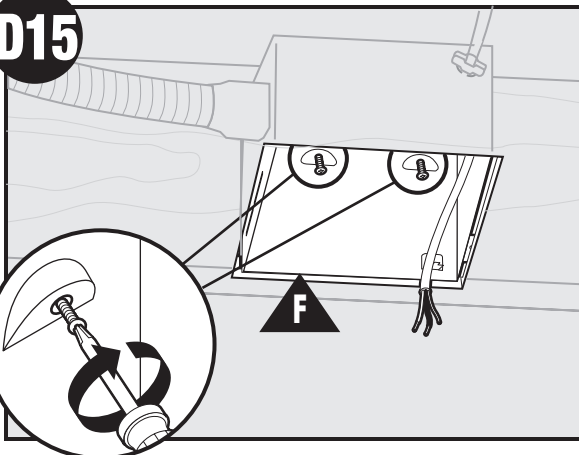
Route wires through strain relief.

**D14**

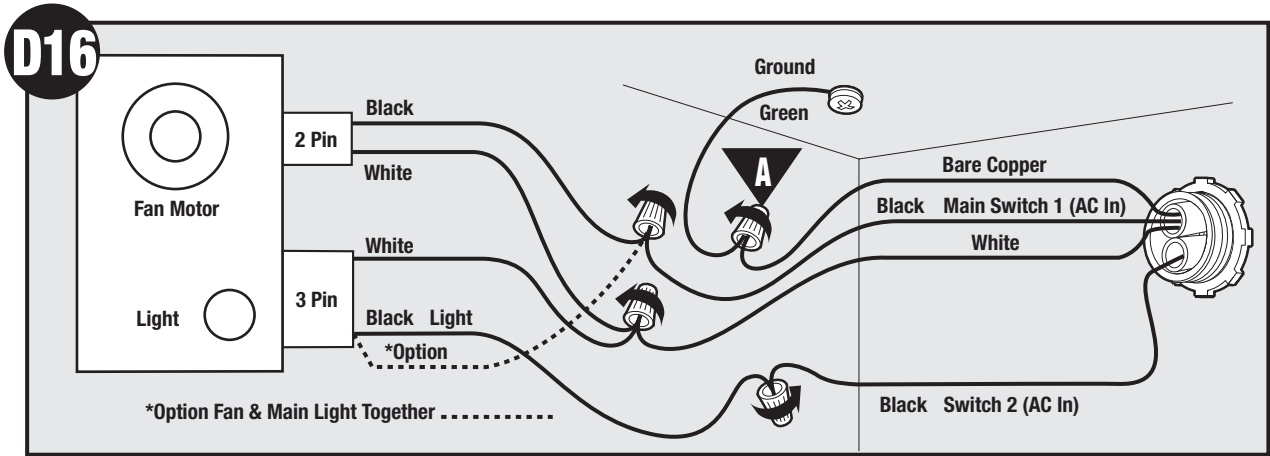


Attach existing ducting to duct connector. Tape joints. If ducting does not fit securely, an adapter may need to be purchased.

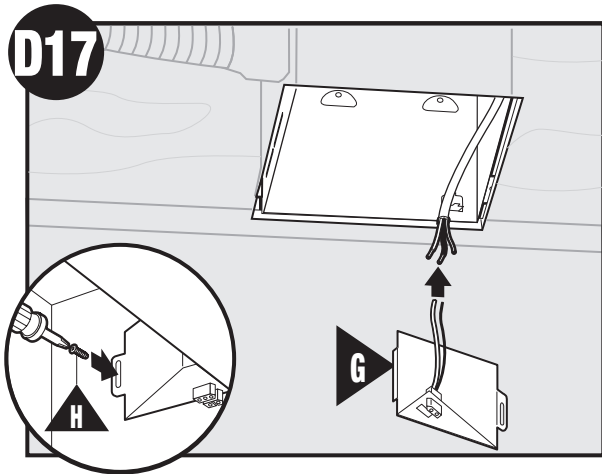
**D15**



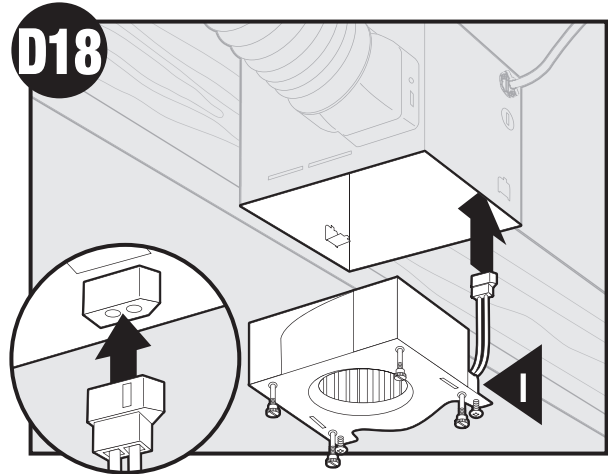
Install the housing flush with the sheetrock and secure by tightening the pre-loaded screws into the joist.



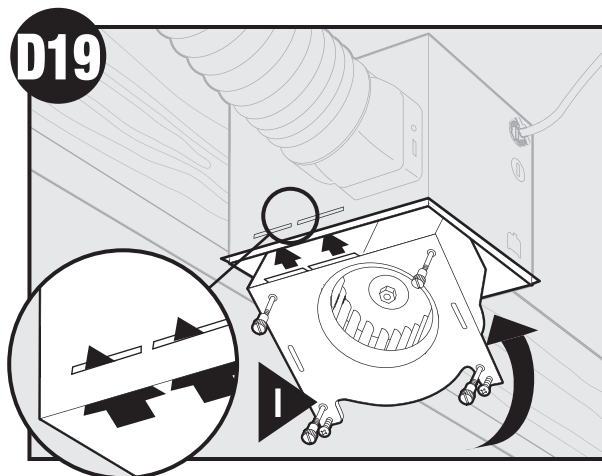
Connect wires as shown.



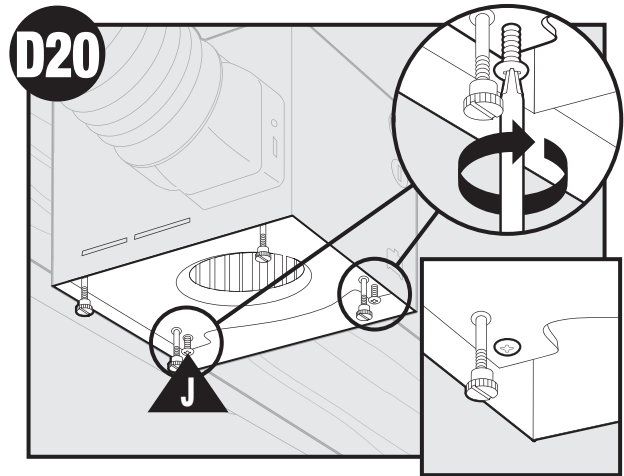
Install the wiring cover plate. Make sure all wiring connections are inside the box or under the wiring cover plate.



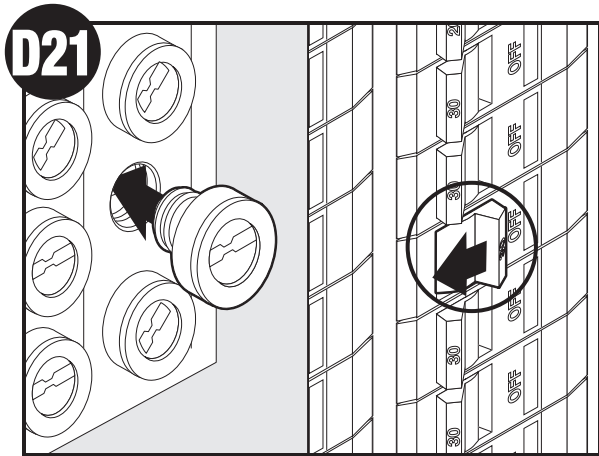
Connect wiring harness. DO NOT ALLOW THE MOTOR TO HANG FROM THE WIRING HARNESS.



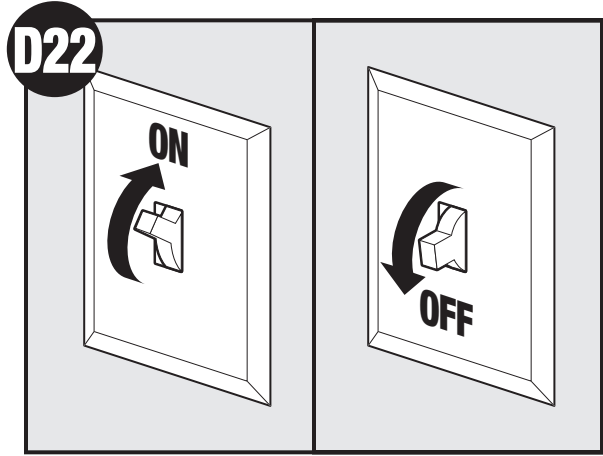
Reinstall the motor by inserting the tabs and pushing up into position. Make sure the wires are not pinched between the motor and the housing.



Secure the motor by tightening the 2 screws.



Turn on the power source.



Test the motor. If the motor does not run, check the plug connection.

**D23**

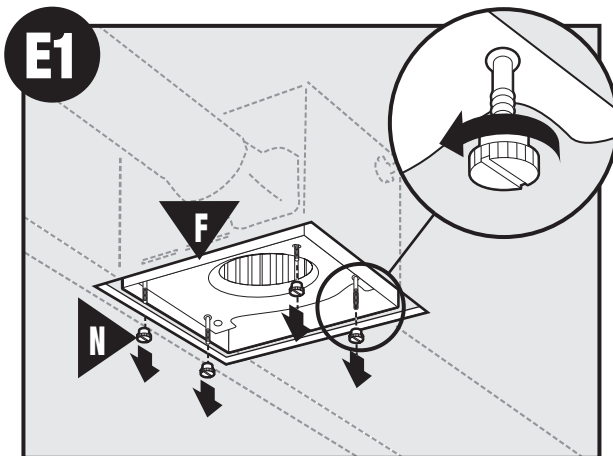
**Go to step**

**E1**

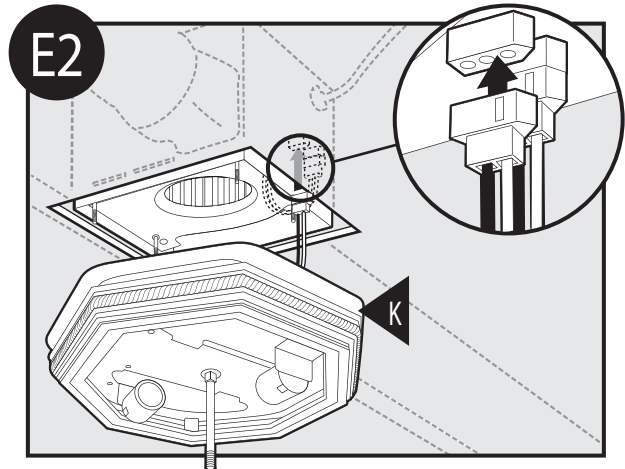
**on page 17**

**to attach grille.**

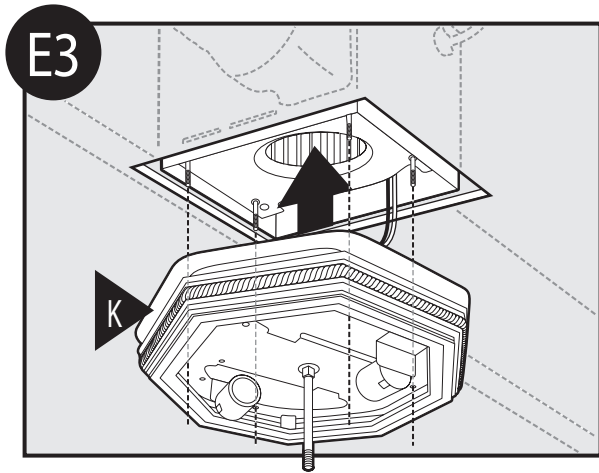
**Attaching the Grille**



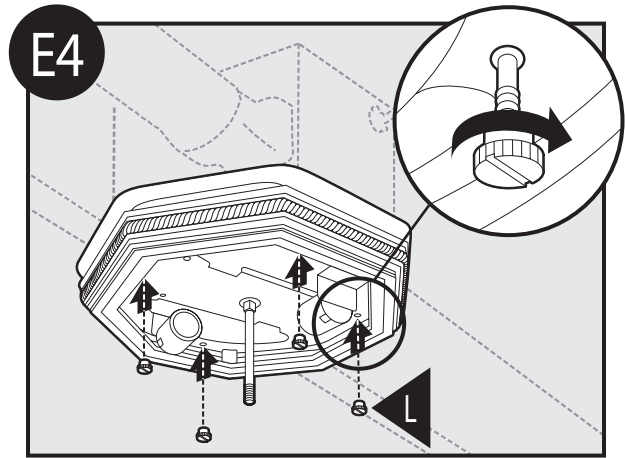
Remove the thumbscrews.



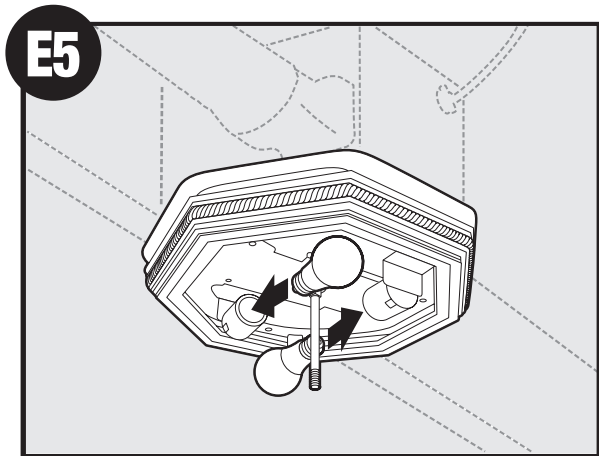
Connect wiring harness. **DO NOT ALLOW THE FIXTURE TO HANG FROM THE WIRING HARNESS.**



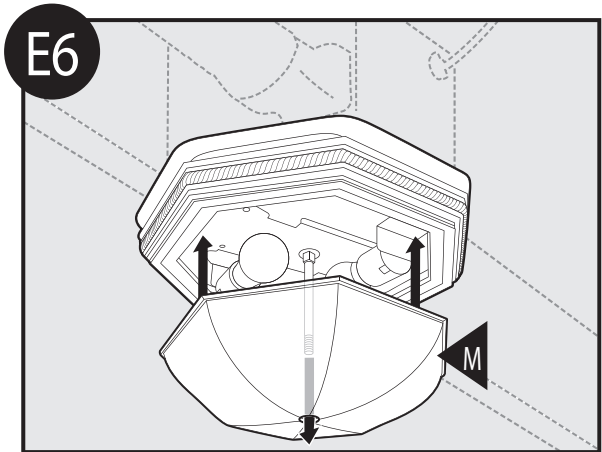
Align posts A, B, C and D (stamped into motor housing) with posts A, B, C and D (stamped into light fixture). Slide light fixture over posts.



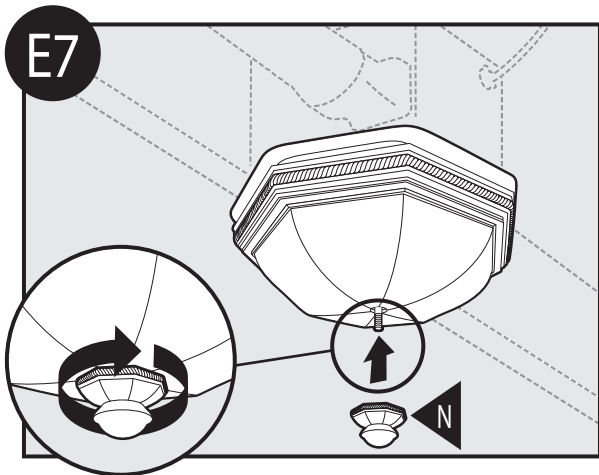
Attach thumbscrews.  
**WARNING:** To reduce the risk of electrical shock, all 4 thumbscrews **MUST** be properly installed.



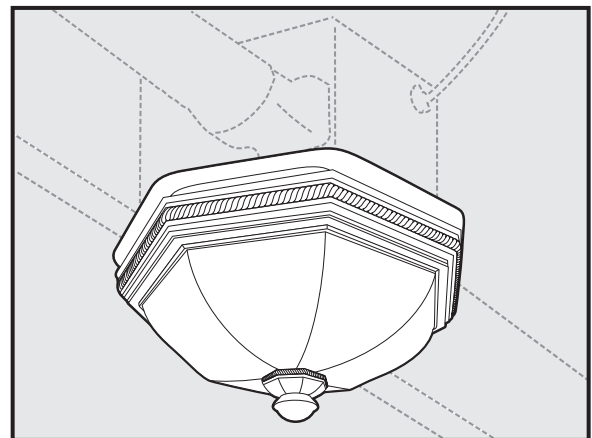
Install bulbs (not included).



Align glass dome and push up.



Screw finial into position.



Complete.

## Trouble Shooting

Problem: Fan does not come on.

Solution:

- Harbor Breeze Fan Bath Ventilators are extremely quiet. To confirm that the fan is running, place your hand near the vents to feel the air movement.
- Turn power on, replace fuse, or reset breaker.
- Check all plug connections to be sure they are secure.
- Check the wiring to make sure it matches the wiring diagram.

Problem: Light does not come on.

Solution:

- Replace the light bulb with a new bulb.
- Turn power on, replace fuse, or reset breaker.
- Check all plug connections to be sure they are secure.
- Check the wiring to make sure it matches the wiring diagram.

Problem: Fan is noisy.

Solution:

- Check and tighten all fasteners.
- Check the glass to make sure it is secure.
- Check the flapper to make sure it moves freely.

If you need parts or service assistance, please call 888-830-1326 or visit us at our web site at <http://www.hunterfan.com>.

## Warranty

Hunter Fan Company  
Bath Exhaust Fan  
LIMITED WARRANTY

Hunter Fan Company makes the following limited warranty to the original user or consumer purchaser of this Hunter bath exhaust fan:

If any part of your Hunter bath exhaust fan (except for glass fixtures and light bulbs) fails at any time within one year after the date of sale to you due to a defect in material or workmanship, we will repair or, at our option, replace the defective part free of charge for parts and labor performed at our nearest service center or at our Service Department in Memphis, Tennessee. After this one-year period, you will be responsible for all parts and labor costs for repairs on the bath exhaust fan except for motor repairs as provided below.

If your Hunter bath exhaust fan motor fails at any time within five years after the date of sale to you due to a defect in material or workmanship, labor and materials to repair the defect will be provided free of charge at our nearest service center or our Service Department in Memphis, Tennessee. If no replacement part can be provided, we will, at our option, either refund the actual purchase price of your bath exhaust fan or provide a replacement free of charge. After this five-year period, you will be responsible for all parts and labor costs for repairs on all parts of the bath exhaust fan.

IF THE ORIGINAL USER OR CONSUMER PURCHASER CEASES TO OWN THE FAN, THIS WARRANTY AND ANY IMPLIED WARRANTY WHICH THEN REMAINS IN EFFECT, INCLUDING BUT NOT LIMITED TO ANY IMPLIED WARRANTY OF MERCHANTABILITY OR FITNESS FOR A PARTICULAR PURPOSE, ARE VOIDED. NO WARRANTY, EXPRESS OR IMPLIED, INCLUDING ANY WARRANTY OF MERCHANTABILITY OR FITNESS FOR A PARTICULAR PURPOSE, IS MADE IN RESPECT OF GLASS FIXTURES OR LIGHT BULBS OR THE FINISH ON ANY METAL PORTION OF THE BATH EXHAUST FAN.

THIS WARRANTY IS IN LIEU OF ALL OTHER EXPRESS WARRANTIES. THE DURATION OF ANY IMPLIED WARRANTY, INCLUDING, BUT NOT LIMITED TO, ANY IMPLIED WARRANTY OF MERCHANTABILITY OR FITNESS FOR A PARTICULAR PURPOSE, IN RESPECT TO ANY HUNTER FAN BATH EXHAUST FAN MOTOR OR OTHER FAN PART, IS EXPRESSLY LIMITED TO THE PERIOD OF THE EXPRESS WARRANTY SET FORTH ABOVE FOR SUCH MOTORS OR OTHER PARTS.

This warranty is voided if your Hunter bath exhaust fan is not purchased and installed in the U.S.A. This warranty excludes and does not cover defects, malfunctions or failures of any Hunter bath exhaust fan which were caused by repairs by persons not authorized by us, use of parts or accessories not authorized by us, mishandling, improper installation, modifications or damage to the Hunter bath exhaust fan while in your possession, or unreasonable use, including failure to provide reasonable and necessary maintenance.

To obtain servicing, contact the nearest Hunter authorized service center of the Hunter Fan Company Service Department, 2500 Frisco Avenue, Memphis, Tennessee 38114. Please contact us before shipping your bath exhaust fan to us. If we authorize you to ship it to us, you will be responsible for all insurance and freight or other transportation charges to our factory or service center. We will return your Hunter bath exhaust fan freight prepaid. Your Hunter bath exhaust fan should be properly packed to avoid damage in transit since we will not be responsible for any such damage. Proof of purchase is required when requesting warranty service. The purchaser must present the sales receipt or other document that establishes proof of purchase.

IN NO EVENT SHALL HUNTER FAN COMPANY BE LIABLE FOR CONSEQUENTIAL OR INCIDENTAL DAMAGES.

SOME STATES DO NOT ALLOW LIMITATIONS ON HOW LONG AN IMPLIED WARRANTY LASTS OR THE EXCLUSION OR LIMITATION OF INCIDENTAL OR CONSEQUENTIAL DAMAGES SO THE ABOVE LIMITATION OR EXCLUSIONS MAY NOT APPLY TO YOU.

THE WARRANTY GIVES YOU SPECIFIC LEGAL RIGHTS AND YOU MAY ALSO HAVE OTHER RIGHTS WHICH VARY FROM STATE TO STATE.



2500 Frisco Avenue, Memphis, Tennessee 38114  
Printed in China

© 2007 Hunter Fan Company

42950-01 04/18/2007

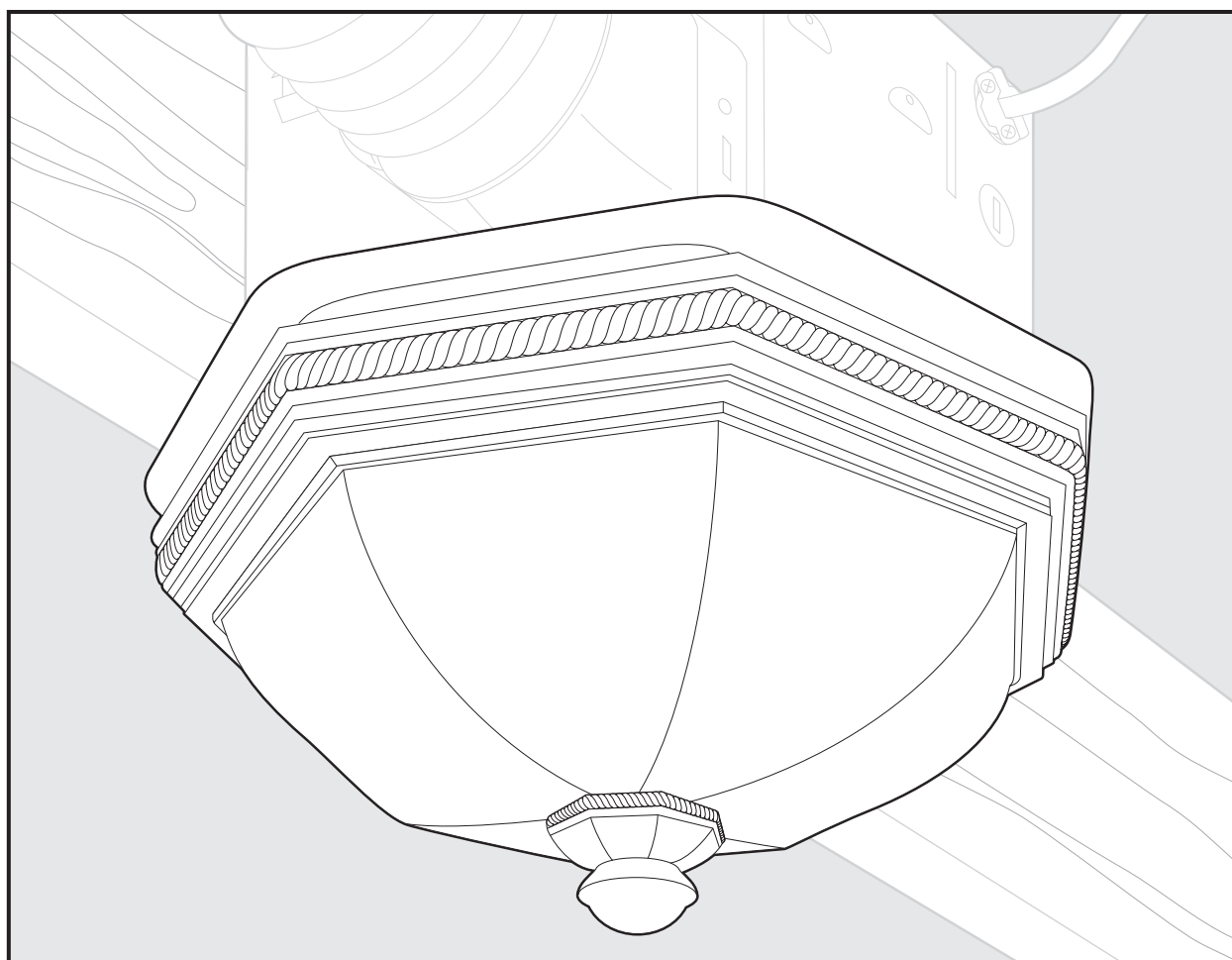




DESDE

1886

G u í a d e i n s t a l a c i ó n



Ventilador para baño Belle Meade 82023 con luz  
LEA y CONSERVE ESTAS INSTRUCCIONES

ESPAÑOL



# A D V E R T E N C I A

PARA REDUCIR EL RIESGO DE DESCARGA ELÉCTRICA O LESIONES, OBSERVE LO SIGUIENTE:

1. Utilice esta unidad sólo de la manera indicada por el fabricante. Si tiene alguna pregunta, contacte con el fabricante en el teléfono o la dirección indicados en la garantía.
2. Antes de instalar, dar servicio o limpiar la unidad, desconecte la alimentación eléctrica apagando los interruptores automáticos que alimentan la caja de salida y al interruptor de pared respectivo. Si no puede bloquear los interruptores automáticos en la posición de apagado, fije firmemente una forma destacada de advertencia, como una etiqueta de seguridad, en el tablero de servicio.
3. Los trabajos de instalación y cableado eléctrico deben ser realizados por personas calificadas de acuerdo con todos los códigos y las normas aplicables, incluyendo los códigos y normas de construcción contra incendio.
4. Al cortar o taladrar en paredes o techo, no dañe el cableado eléctrico u otros servicios no visibles.
5. Los ventiladores canalizados siempre deben descargar al aire libre. Mantenga los ductos tan cortos y rectos como sea posible.
6. Aceptable para uso sobre una bañera o ducha si se conecta en un circuito derivado protegido por un interruptor automático de falla a tierra (GFCI).
7. Instale el ventilador por lo menos a 5 pies (1.52 m) por encima del piso.
8. Nunca coloque un interruptor donde pueda ser alcanzado desde una tina o una ducha.
9. Esta unidad debe ponerse a tierra.



## PRECAUCIÓN

1. Sólo para uso de ventilación general. No lo utilice para ventilar ambientes con materiales peligrosos o explosivos.
2. Para evitar daños a los rodamientos del motor e impulsores ruidosos o desbalanceados, mantenga la unidad de potencia lejos de la aplicación de aerosol para paneles de yeso (drywall), polvo de la construcción, etc.
3. NO instale este producto en una pared. Este producto está diseñado para instalarse en techos con una inclinación de hasta 12/12 (45°). La red de ductos debe dirigirse hacia arriba.
4. Vea más información y los requisitos en la etiqueta de especificación del producto.



## ADVERTENCIA

**DESCONECTE LA ALIMENTACIÓN ELÉCTRICA Y CIERRE EL PANEL DE SERVICIO ANTES DE DAR MANTENIMIENTO A LA UNIDAD**

## MANTENIMIENTO PREVENTIVO

Un ventilador limpio proporciona mejor servicio. Desconecte la alimentación y limpie el ventilador como se indica a continuación.

**PARA LIMPIAR LA REJILLA:** Use un detergente suave, como líquido para lavado de platos, y un paño suave. NO emplee paños abrasivos, almohadillas de lana de acero ni polvos para fregar.

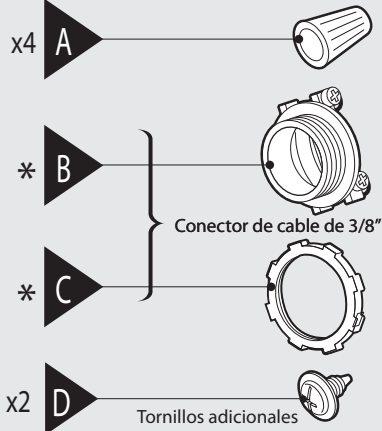
**PARA LIMPIAR EL CONJUNTO DEL VENTILADOR:** Desconecte el cordón del motor de la toma de corriente. Para retirar la placa del motor, encuentre la pestaña en la placa (ubicada junto a la toma de corriente). Levante la pestaña posterior de la placa del motor mientras empuja hacia afuera en el lado del alojamiento o introduzca un destornillador en la ranura del alojamiento (junto a la pestaña) y gire el destornillador. Suavemente aspire el ventilador, el motor y el interior del alojamiento.

LAS PARTES METÁLICAS ELÉCTRICAS NUNCA DEBEN SUMERGIRSE EN AGUA.

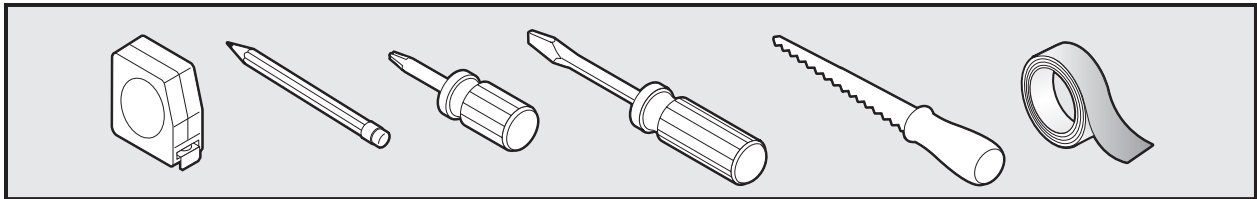
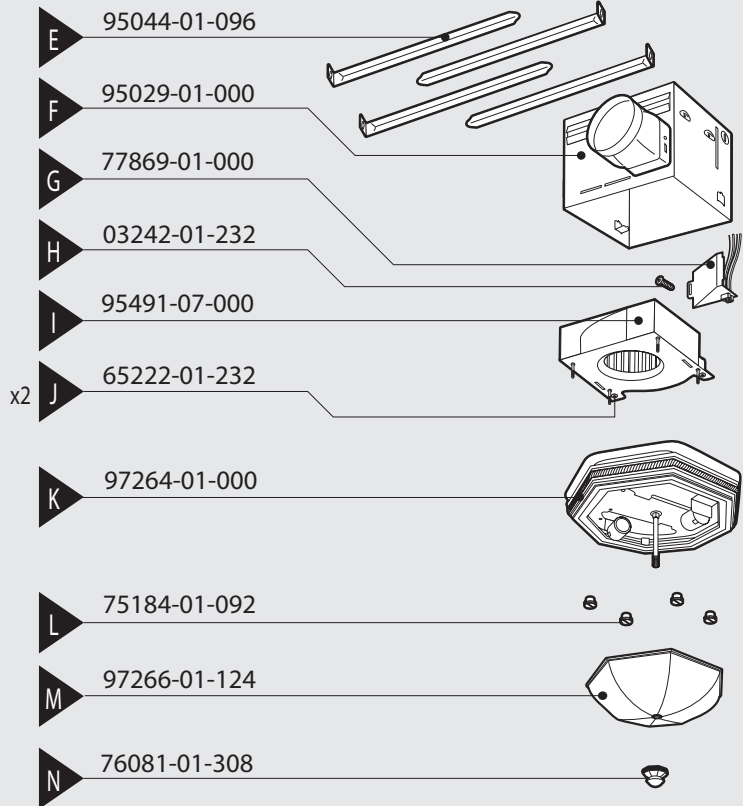
## MANTENIMIENTO

El motor está lubricado permanentemente y no necesita ser engrasado. Si los rodamientos del motor hacen ruidos excesivos o inusuales, reemplace el motor con el motor de servicio exacto. Debe reemplazar el impulsor al mismo tiempo.

Verifique todos los componentes. Si están dañados, llame al 1-888-830-1326 para obtener un reemplazo.



\* NOTA: Debe estar instalado el manguito de alivio de tensión del cable. No incluido.

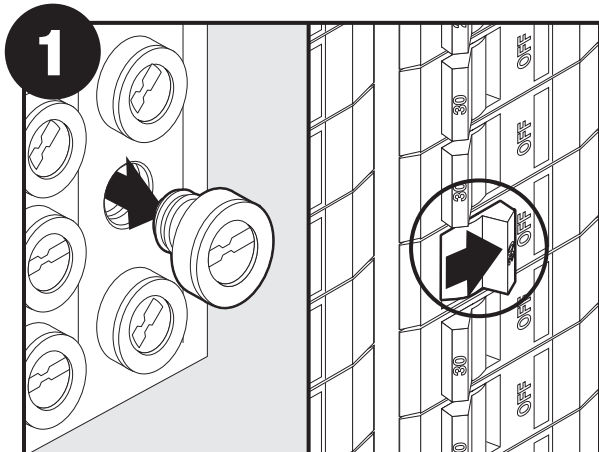


Herramientas necesarias (no suministradas)

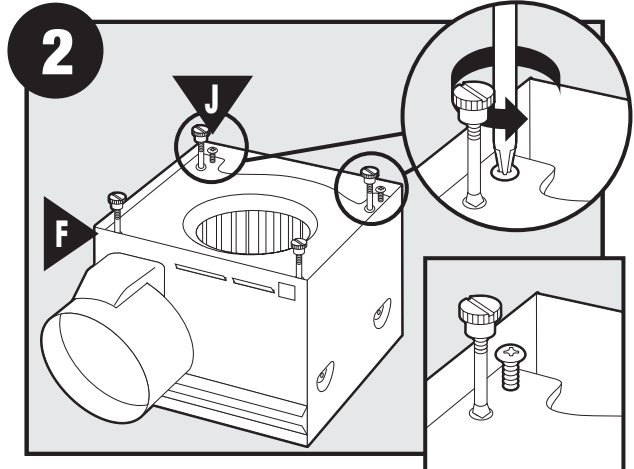
Tiempo estimado de ensamblaje: entre 30 y 60 minutos

### Antes de la instalación

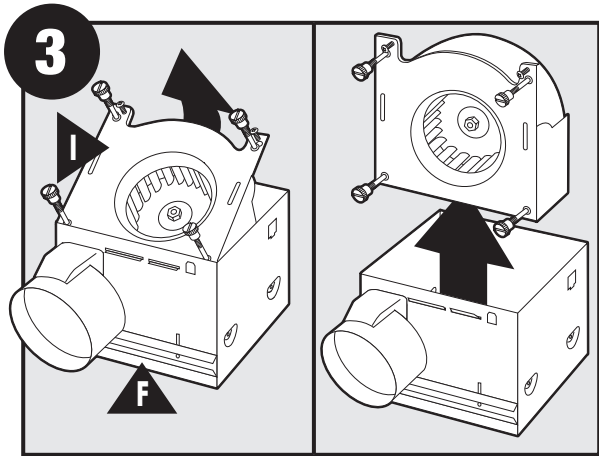
NOTA: Retire todo el material de embalaje antes de la instalación.



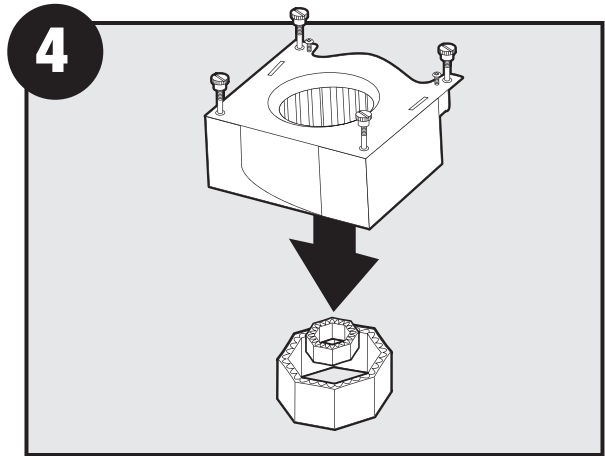
1 Apague la fuente de alimentación.



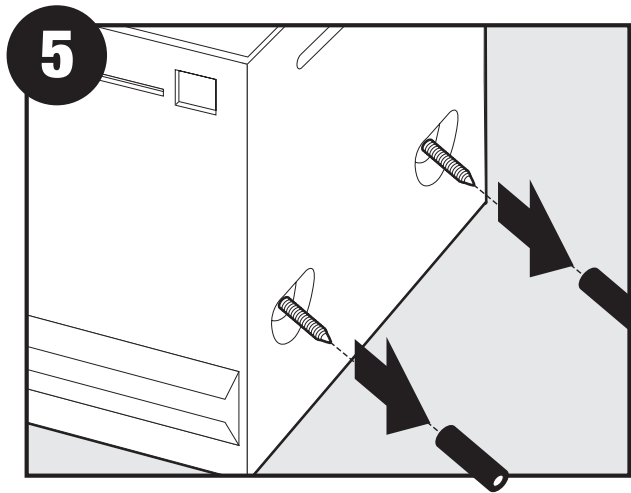
2 Afloje los tornillos.



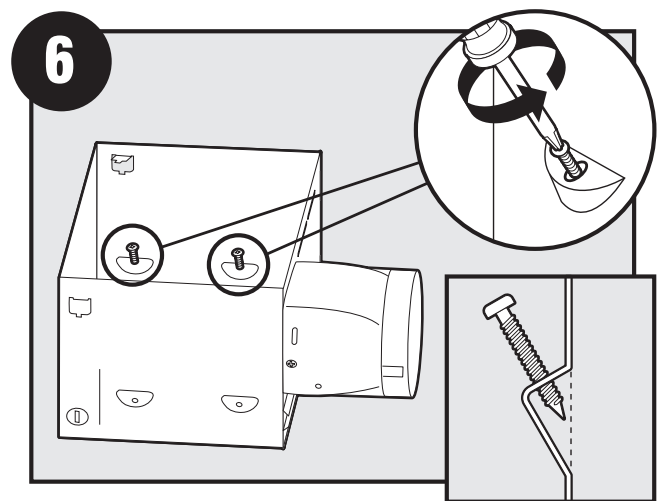
Retire el motor/soplador del alojamiento.



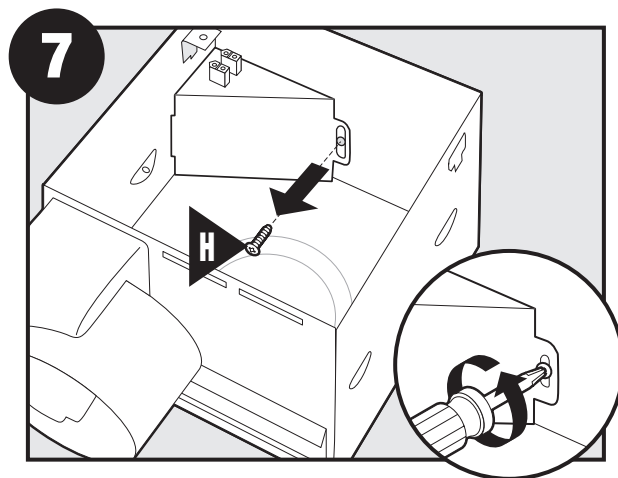
Retire el material de embalaje.



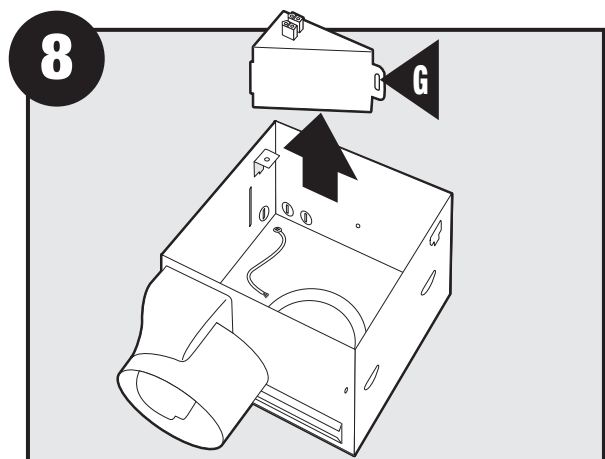
Retire las cubiertas de las puntas de tornillo precargadas.



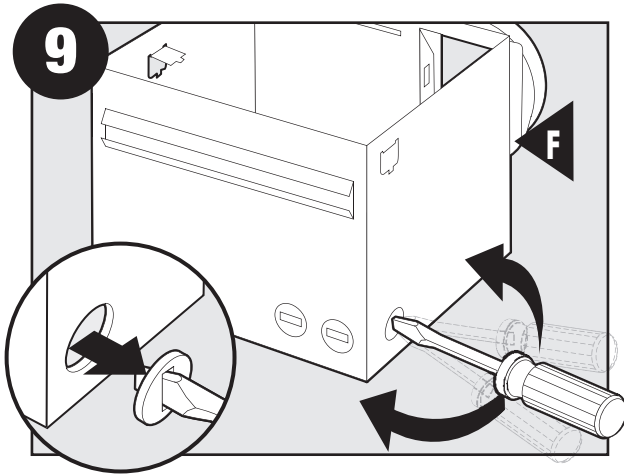
Retire las puntas de tornillo precargadas hasta que estén a nivel con el lado del alojamiento.



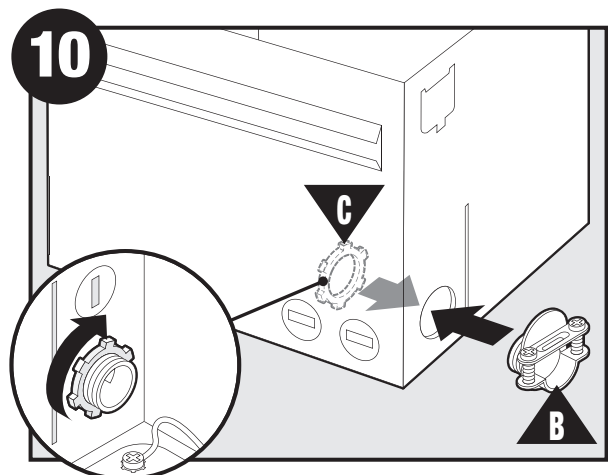
Retire el tornillo de la cubierta del cableado.



Retire la cubierta del cableado.



Retire el primer tapón metálico de acceso del cableado.  
Utilice el segundo si es necesario.

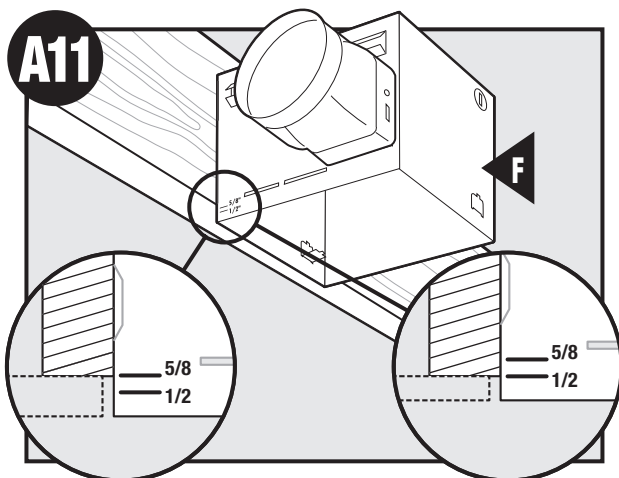


Inserte el manguito de alivio de tensión (no se incluye) en la caja y sujételo firmemente con una arandela.

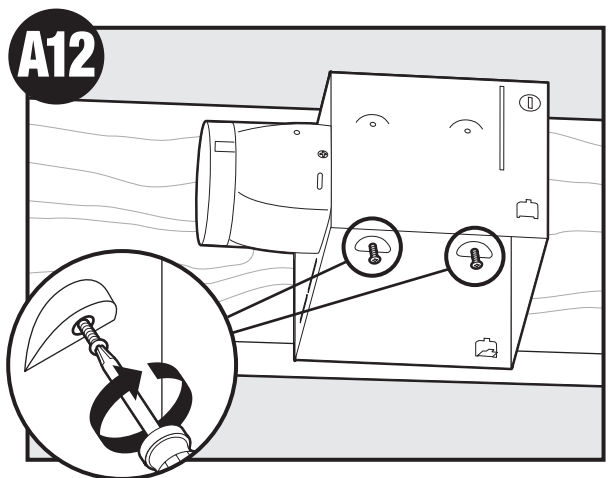
### Escoja la opción de instalación

Para construcción nueva - fijación a la viga, vaya al paso A11, página 25  
 Para construcción nueva - suspendido entre vigas, vaya al paso B11, página 28  
 Para construcción existente - accesible desde arriba, vaya al paso C11, página 31  
 Para construcción existente - accesible sólo desde abajo, vaya al paso D11, página 35

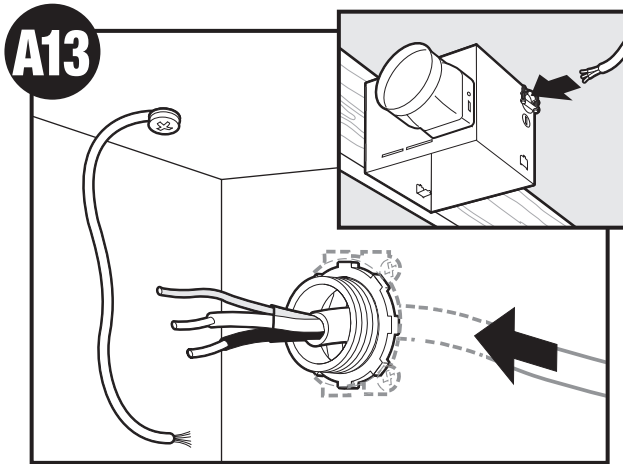
### Construcción nueva – fijación a la viga



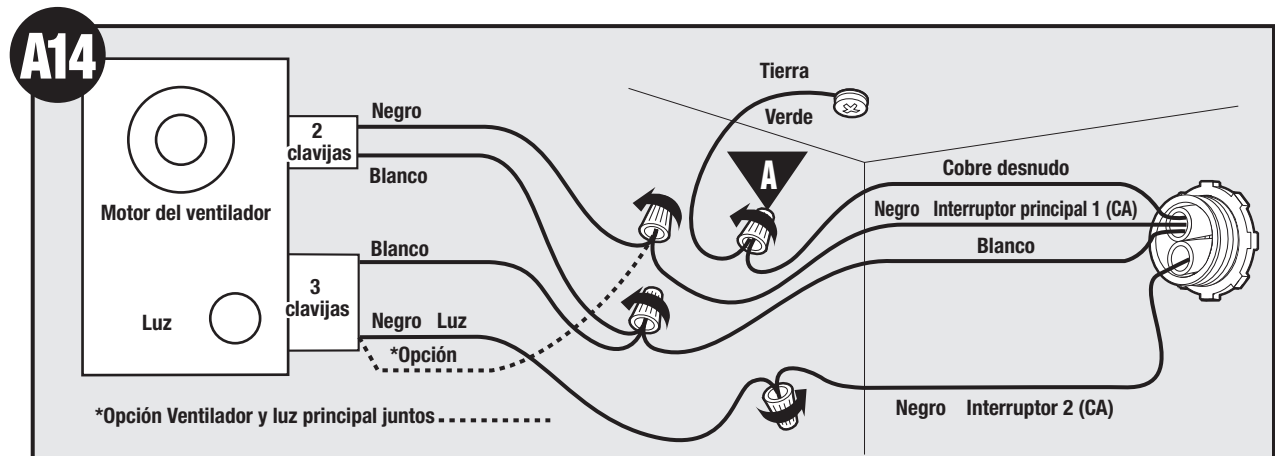
Ubique la correcta marca de profundidad en el borde inferior de la viga, según el espesor de su plancha de yeso.



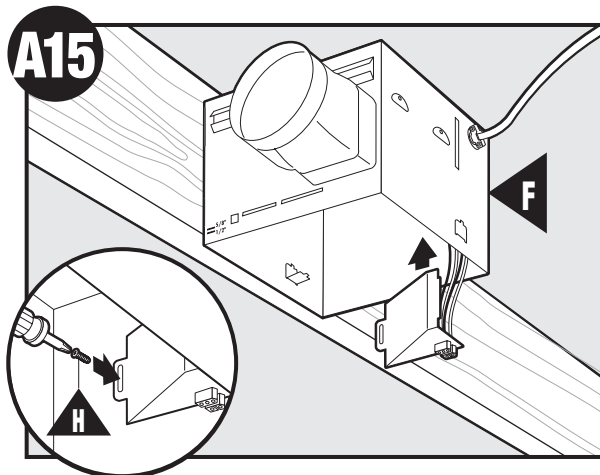
Instale los tornillos precargados en la viga o el marco.



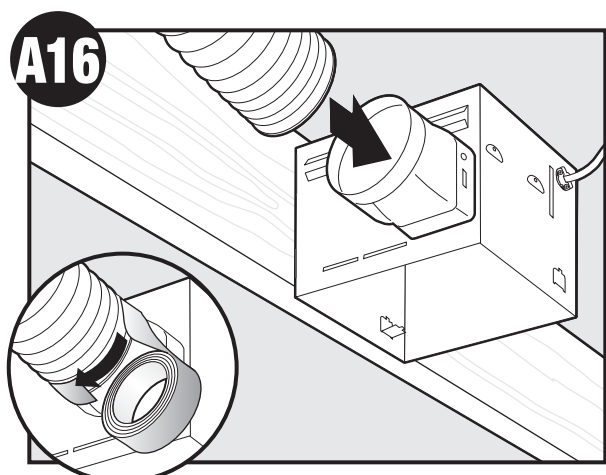
Tienda los cables a través del manguito de alivio de tensión.



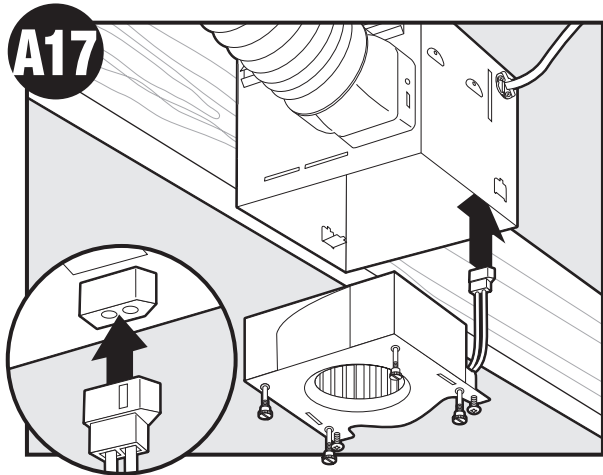
Conecte los alambres como se muestra.



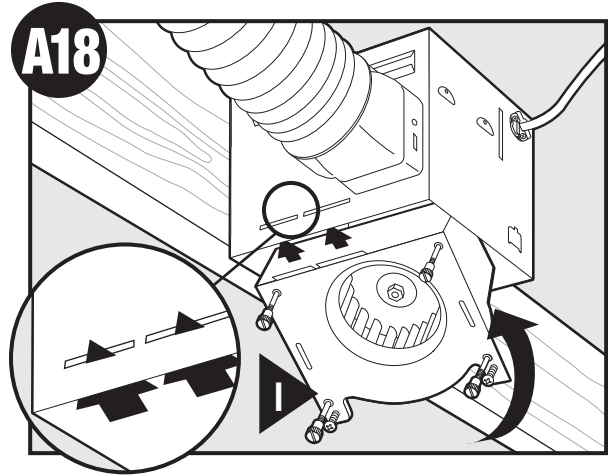
Instale la placa de cubierta del cableado. Asegúrese que todas las conexiones de cableado estén dentro de la caja o debajo de la placa de cubierta del cableado.



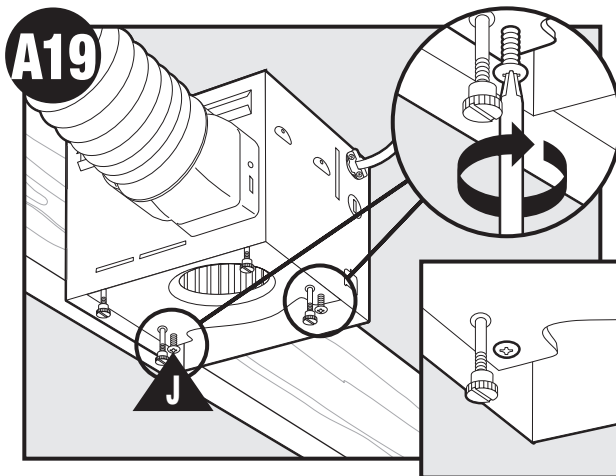
Conecte un ducto de 4" y ventile hacia el exterior. Aplique cinta a las uniones. Si el ducto no se ajusta firmemente, puede ser necesario comprar un adaptador.



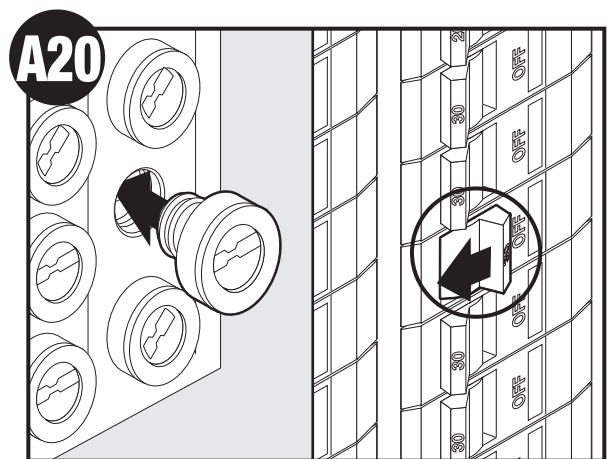
Conecte el mazo de cables. NO PERMITA QUE EL MOTOR CUELGA DEL MAZO DE CABLES.



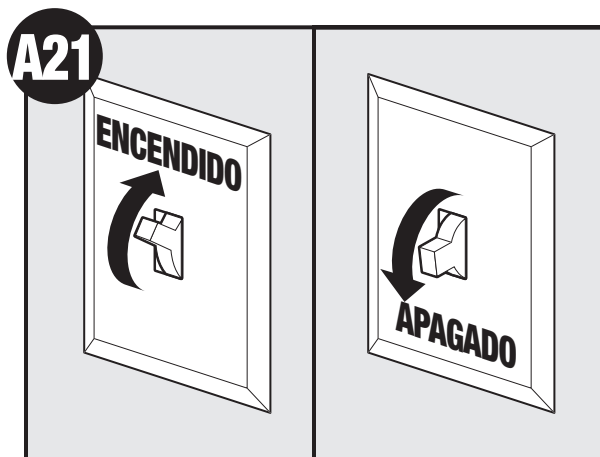
Vuelva a instalar el motor introduciendo las pestañas y levantando a su posición. Asegúrese que los alambres no se pellizquen entre el motor y el alojamiento.



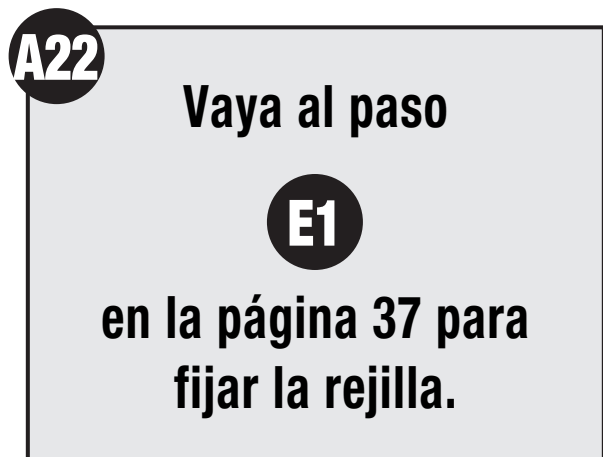
Asegure el motor apretando los 2 tornillos.



Encienda la fuente de alimentación.

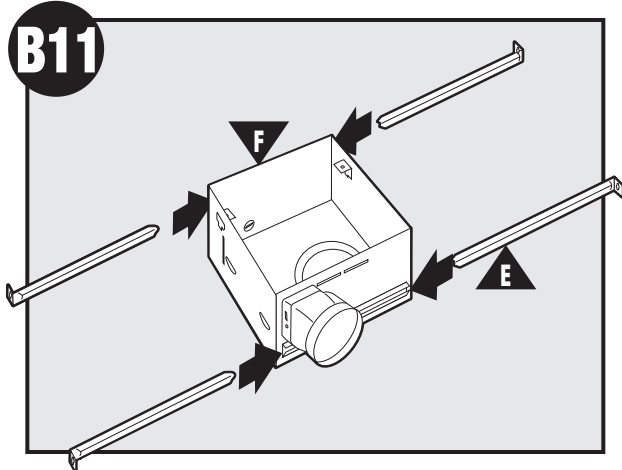


Pruebe el motor. Si el motor no funciona, verifique la conexión del enchufe.

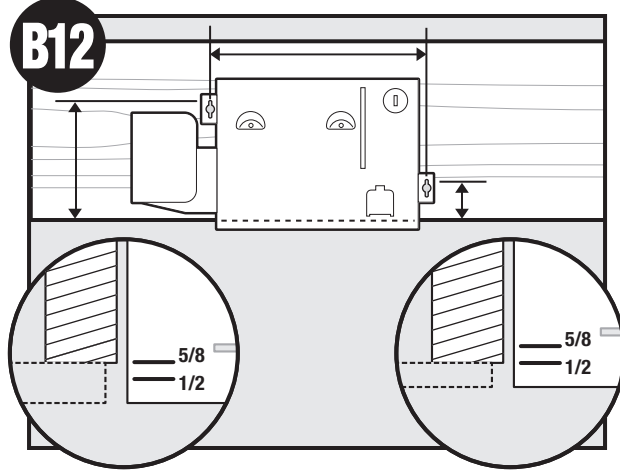




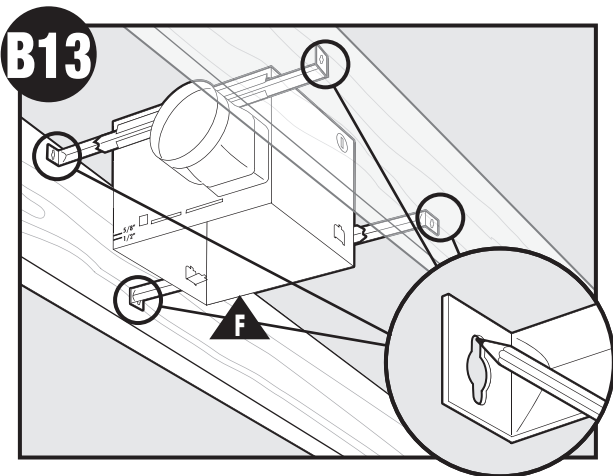
## Construcción nueva – suspendido entre vigas



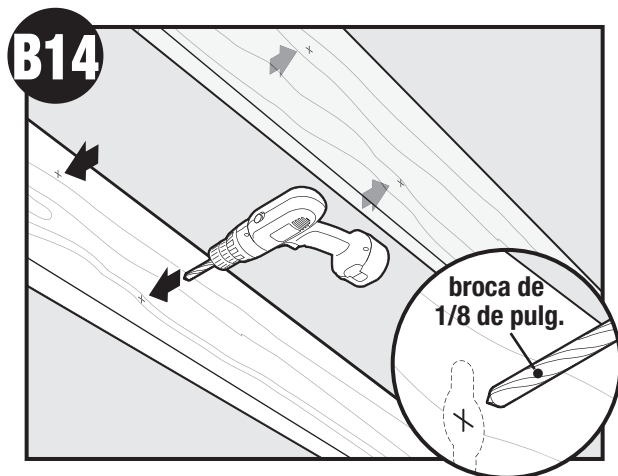
Deslice los rieles de montaje en los soportes.



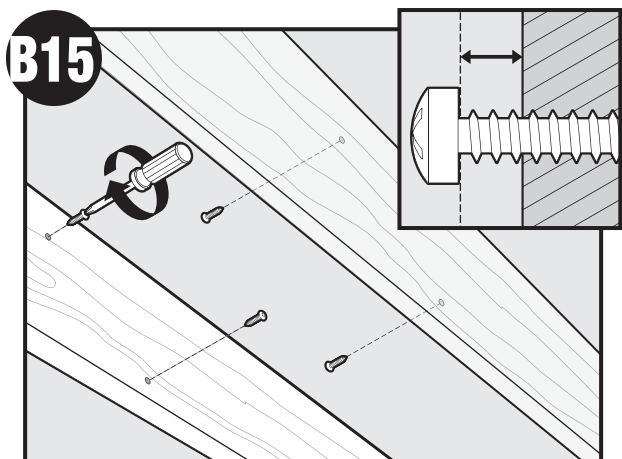
Ubique la correcta marca de profundidad en el borde inferior de la viga, según el espesor de su plancha de yeso.



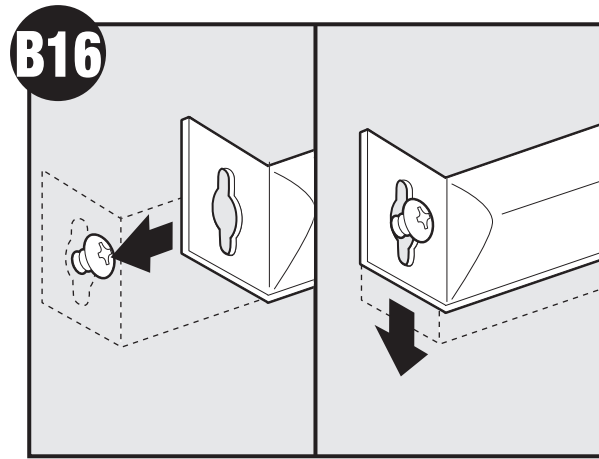
Marque la posición de los tornillos utilizando los agujeros como una plantilla.



Taladre un agujero en el centro de cada perfil.

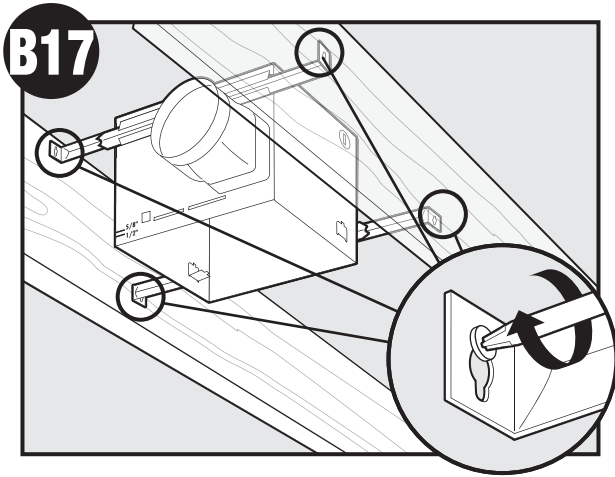


Introduzca los tornillos, dejando espacio entre la cabeza del tornillo y la viga. No se proporcionan los tornillos.

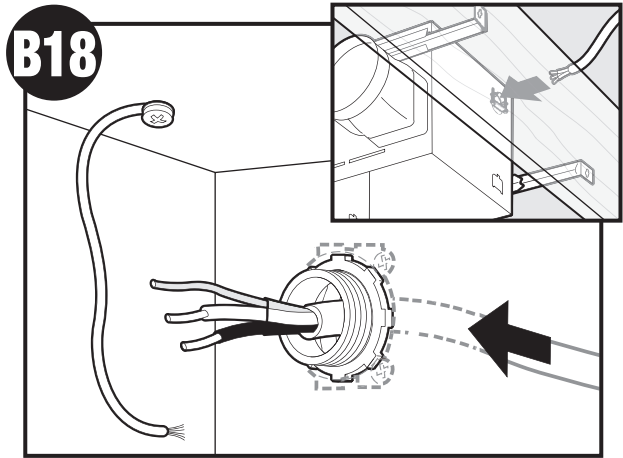


Fije los rieles con los tornillos.

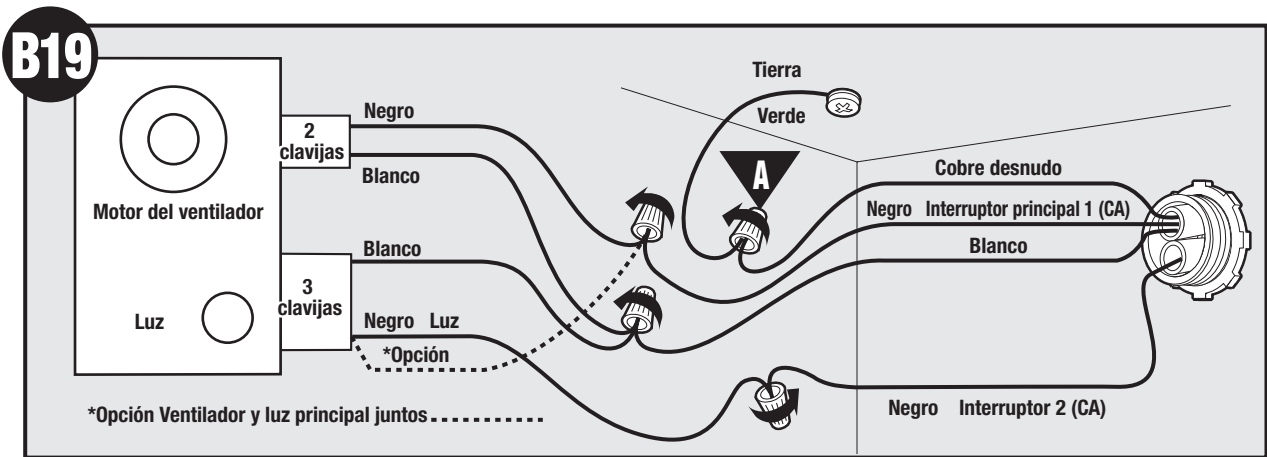




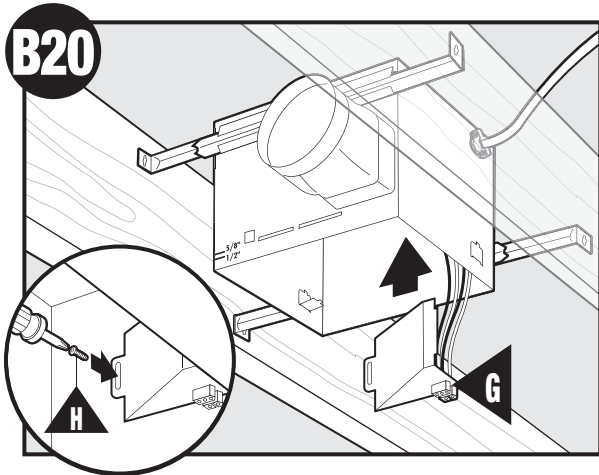
Apriete los tornillos.



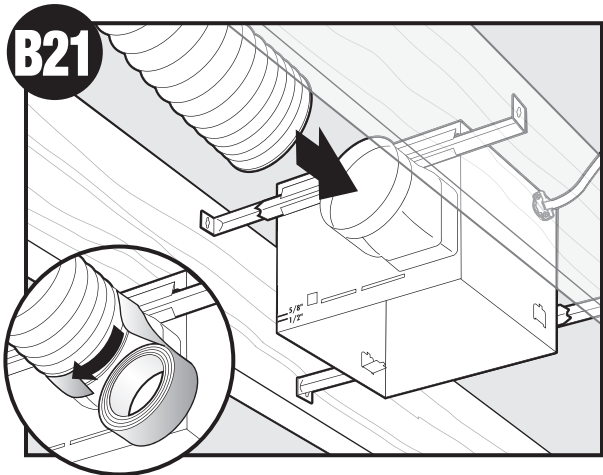
Tienda los cables a través del manguito de alivio de tensión.



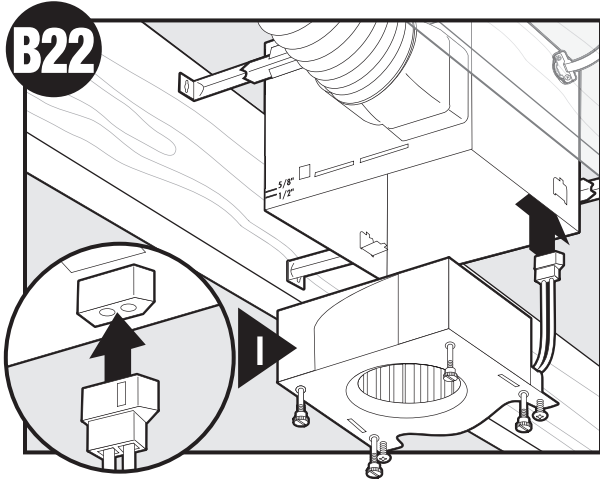
Conecte los alambres como se muestra.



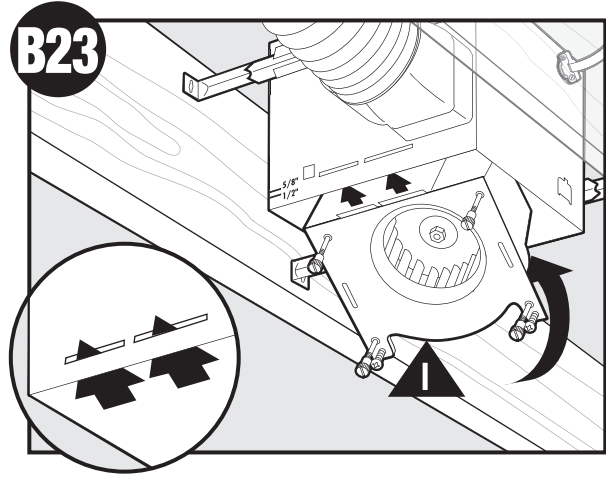
Instale la placa de cubierta del cableado. Asegúrese que todas las conexiones de cableado estén dentro de la caja o debajo de la placa de cubierta del cableado.



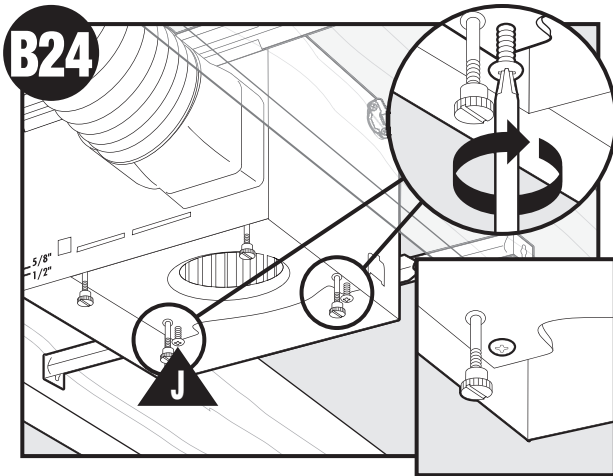
Conecte un ducto de 4" y ventile hacia el exterior. Aplique cinta a las uniones. Si el ducto no se ajusta firmemente, puede ser necesario comprar un adaptador.



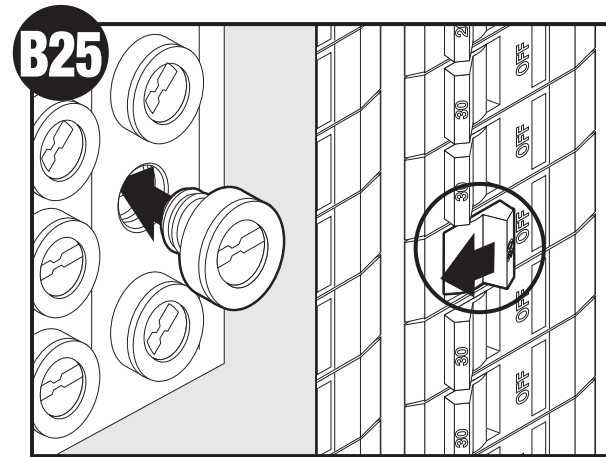
**B22** Conecte el mazo de cables. NO PERMITA QUE EL MOTOR CUELQUE DEL MAZO DE CABLES.



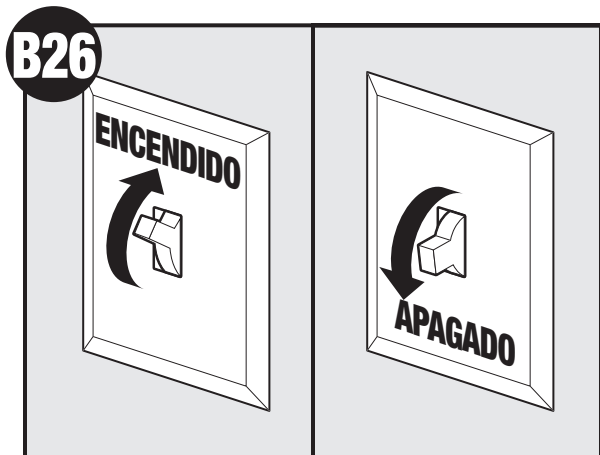
**B23** Vuelva a instalar el motor introduciendo las pestañas y levantando a su posición. Asegúrese que los alambres no se pellizquen entre el motor y el alojamiento.



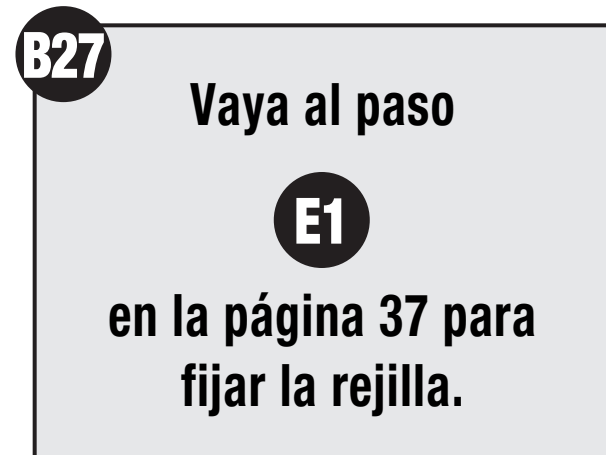
**B24** Asegure el motor apretando los 2 tornillos.



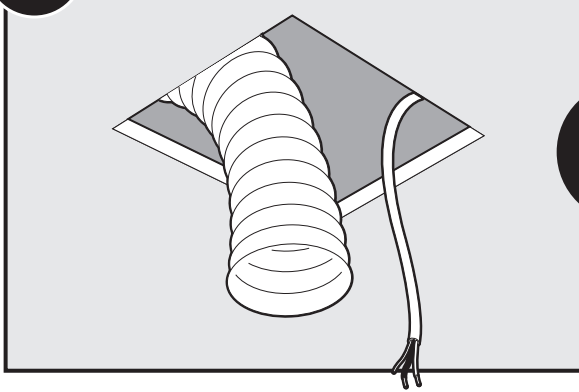
**B25** Encienda la fuente de alimentación.



**B26** Pruebe el motor. Si el motor no funciona, verifique la conexión del enchufe.

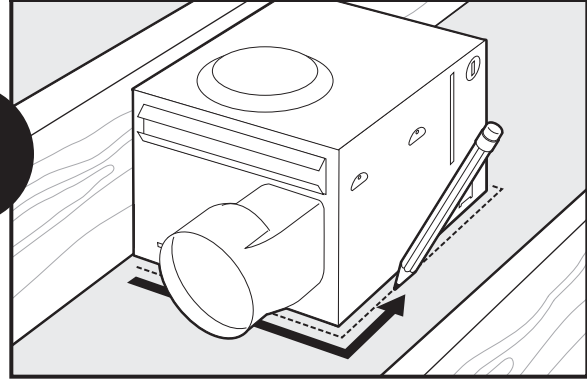


**C11** VENTILADOR EXISTENTE

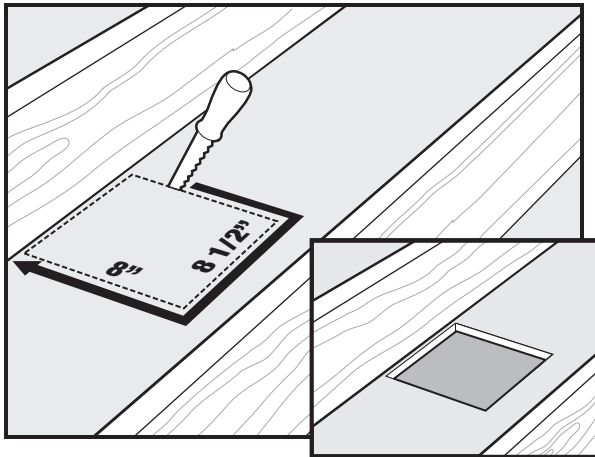


Retire el ventilador existente y asegúrese que la abertura sea suficientemente grande para acomodar el alojamiento del motor nuevo (8" x 8 1/2").

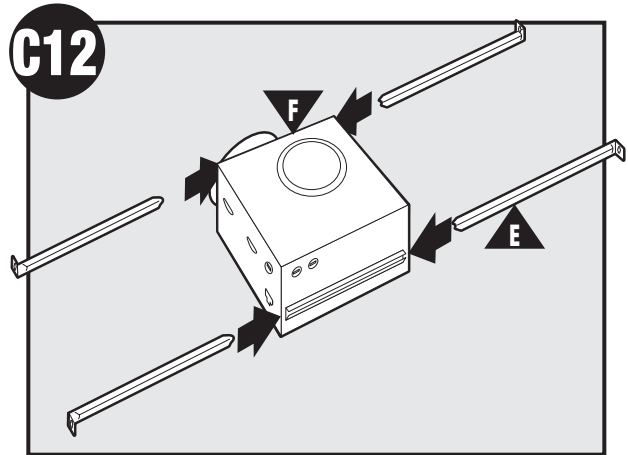
**SIN VENTILADOR EXISTENTE**



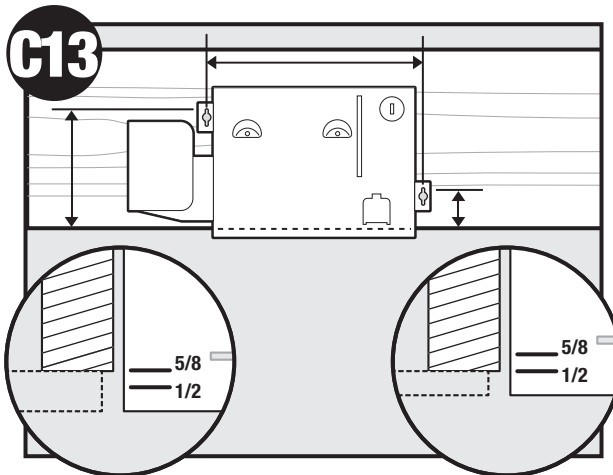
Utilice el alojamiento del motor como una plantilla para marcar la posición.



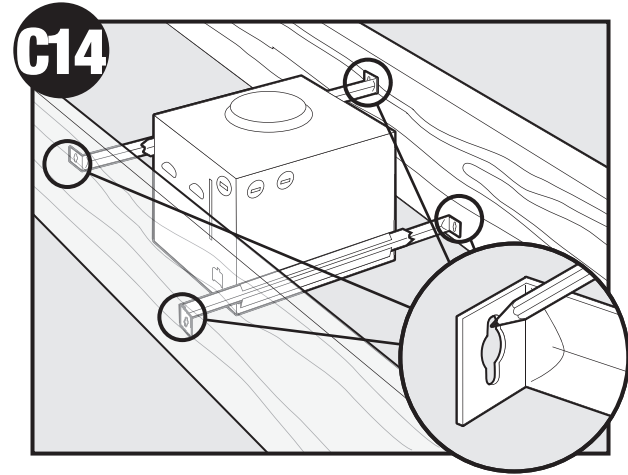
Recorte una abertura para el alojamiento.



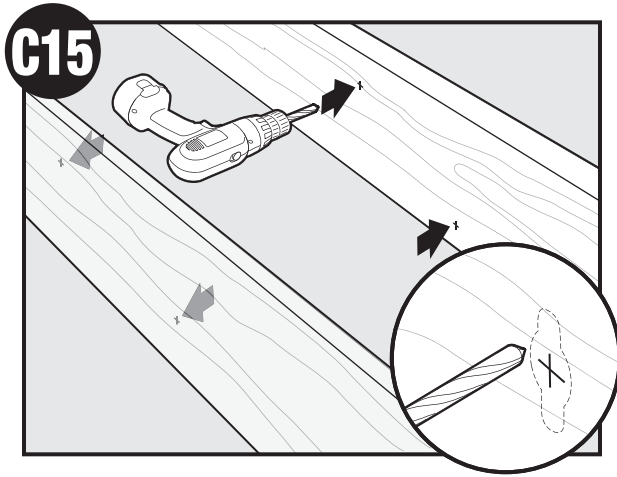
Deslice los rieles de montaje en los soportes.



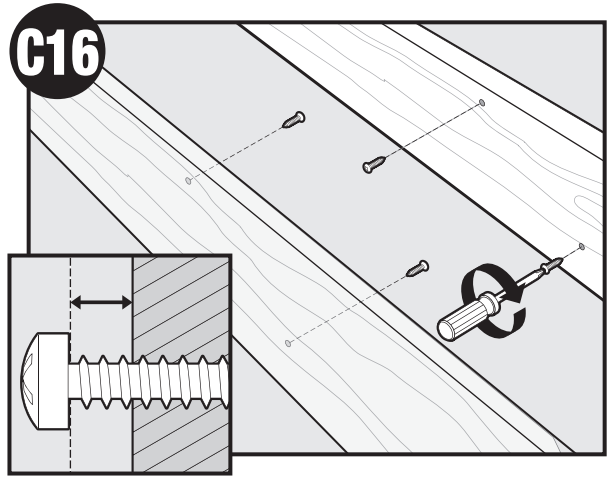
Ubique la correcta marca de profundidad en el borde inferior de la viga, según el espesor de su plancha de yeso.



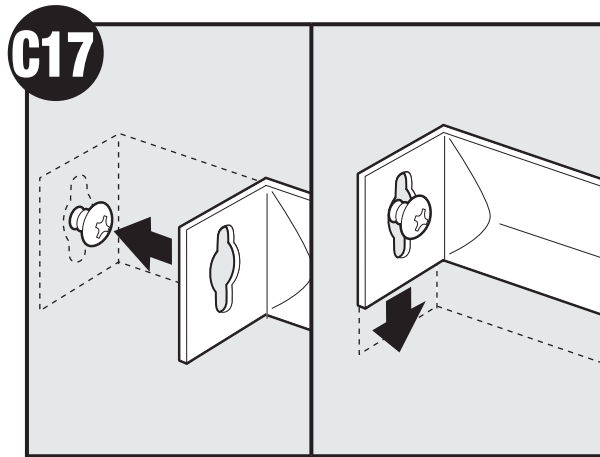
Marque la posición de los tornillos utilizando los agujeros como una plantilla.



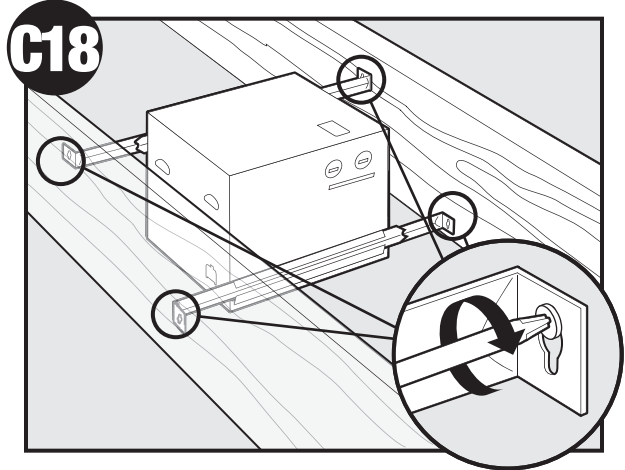
Taladre un agujero en el centro de cada perfil.



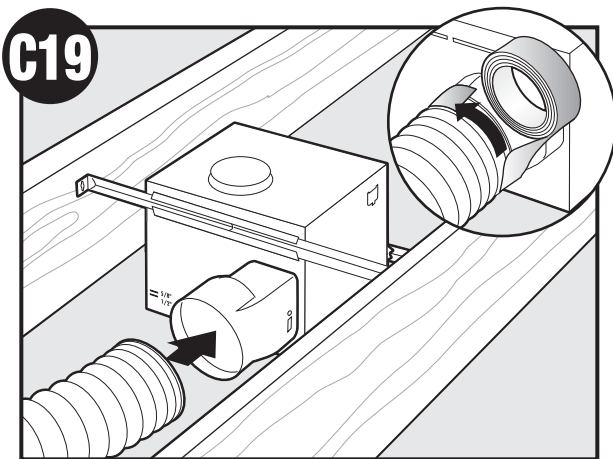
Introduzca los tornillos, dejando espacio entre la cabeza del tornillo y la viga. No se proporcionan los tornillos.



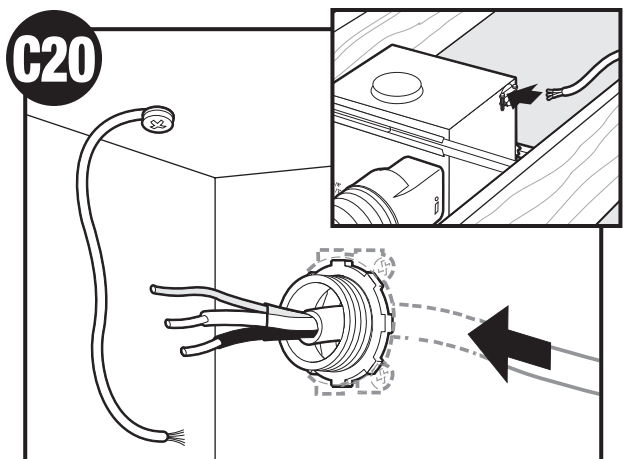
Fije los rieles con los tornillos.



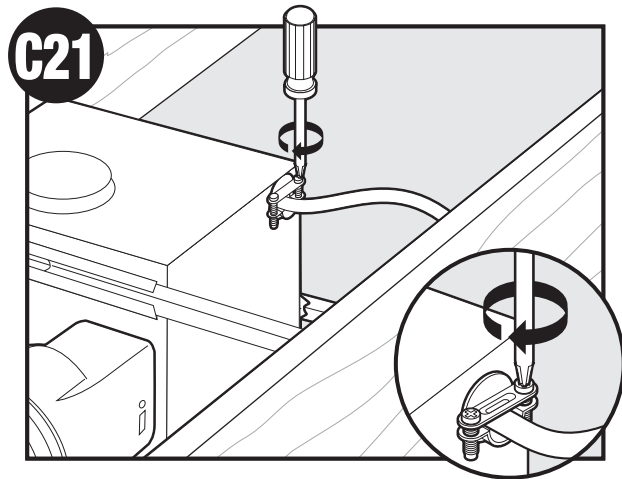
Apriete los tornillos.



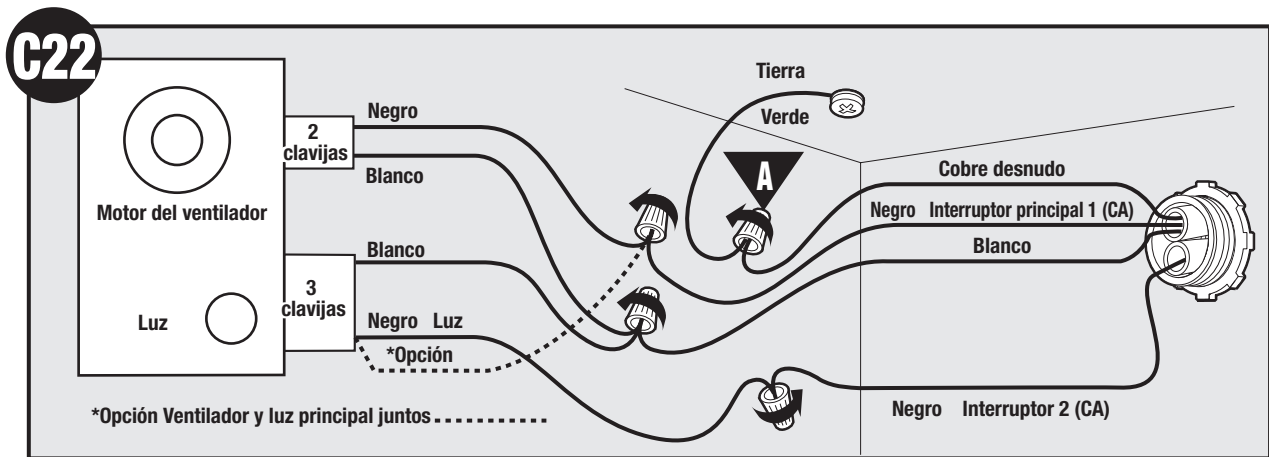
Conecte un ducto de 4" y ventile hacia el exterior. Aplique cinta a las uniones. Si el ducto no se ajusta firmemente, puede ser necesario comprar un adaptador.



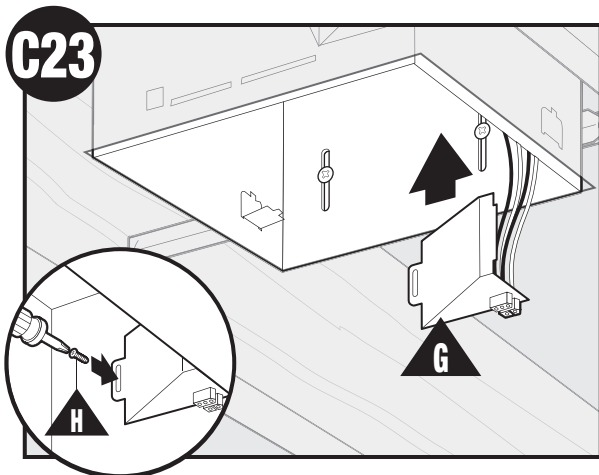
Tienda los cables a través del manguito de alivio de tensión.



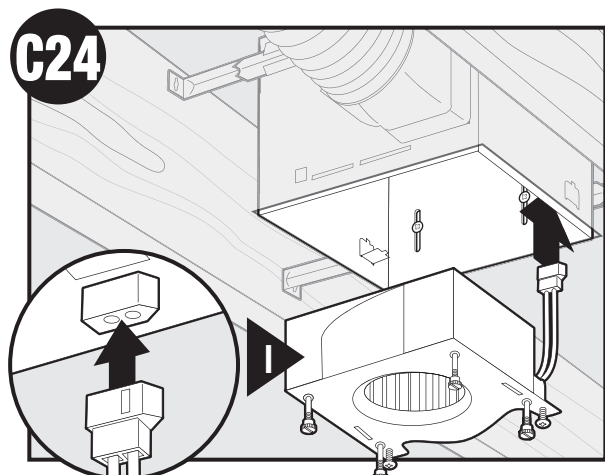
Apriete los tornillos del aliviador de tensiones.



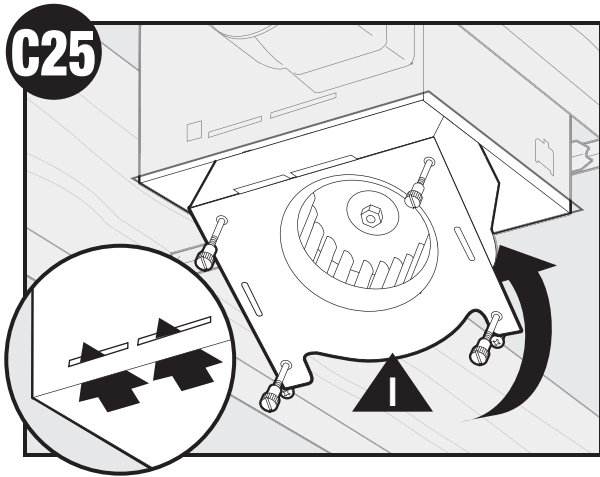
Conecte los alambres como se muestra.



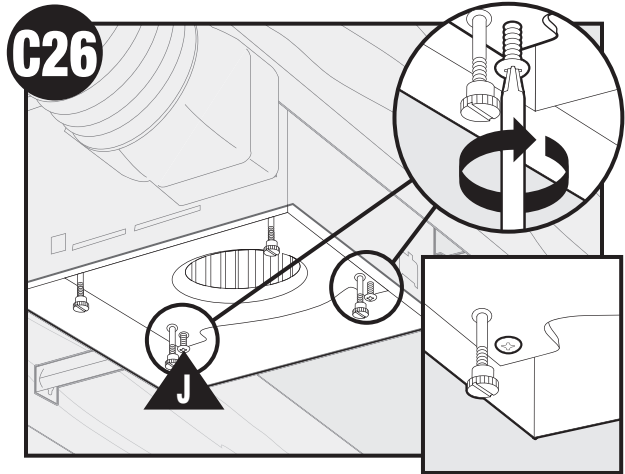
Instale la placa de cubierta del cableado. Asegúrese que todas las conexiones de cableado estén dentro de la caja o debajo de la placa de cubierta del cableado.



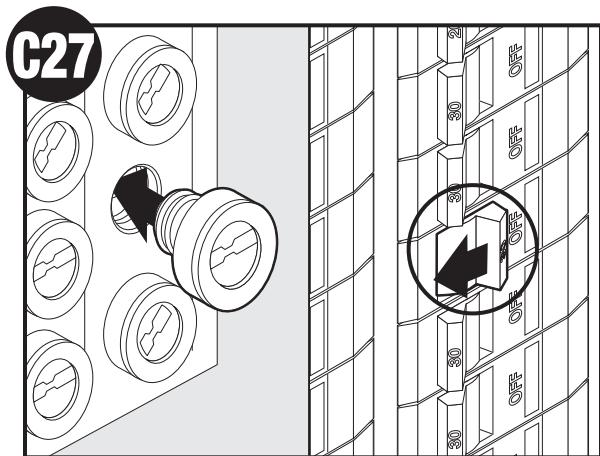
Conecte el mazo de cables. NO PERMITA QUE EL MOTOR CUELGUE DEL MAZO DE CABLES.



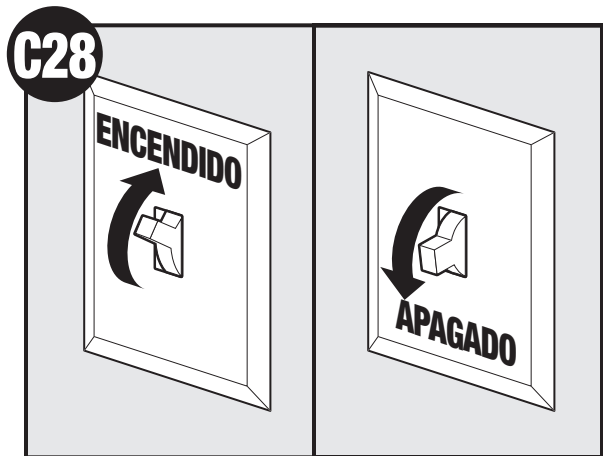
Vuelva a instalar el motor introduciendo las pestañas y levantando a su posición. Asegúrese que los alambres no se pellizquen entre el motor y el alojamiento.



Asegure el motor apretando los 2 tornillos.



Encienda la fuente de alimentación.



Pruebe el motor. Si el motor no funciona, verifique la conexión del enchufe.

**C29**

**Vaya al paso**

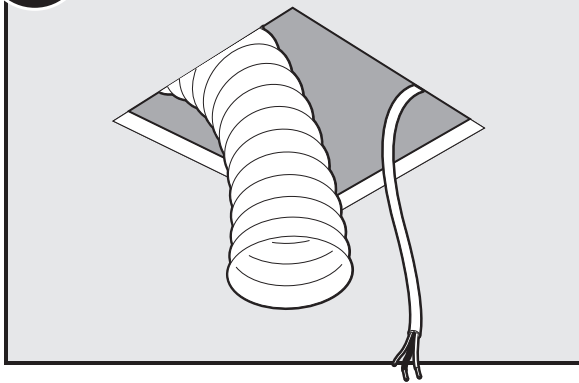
**E1**

**en la página 37 para**

**fijar la rejilla.**

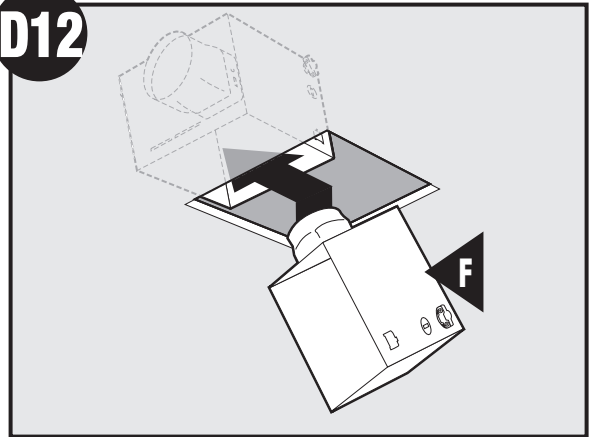


**D11 VENTILADOR EXISTENTE**



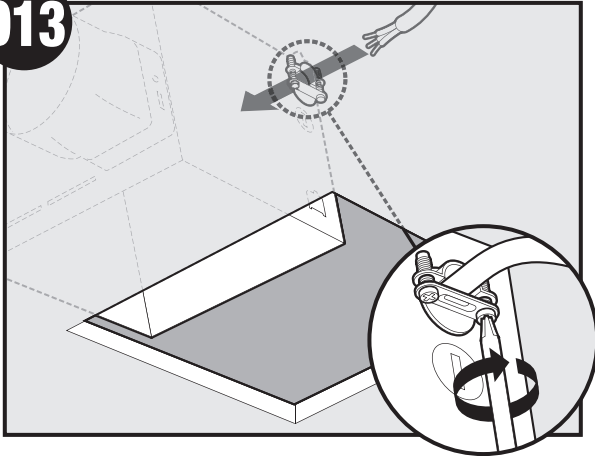
Retire el ventilador existente y asegúrese que la abertura sea suficientemente grande para acomodar el alojamiento del motor nuevo (8" x 8 1/2").

**D12**



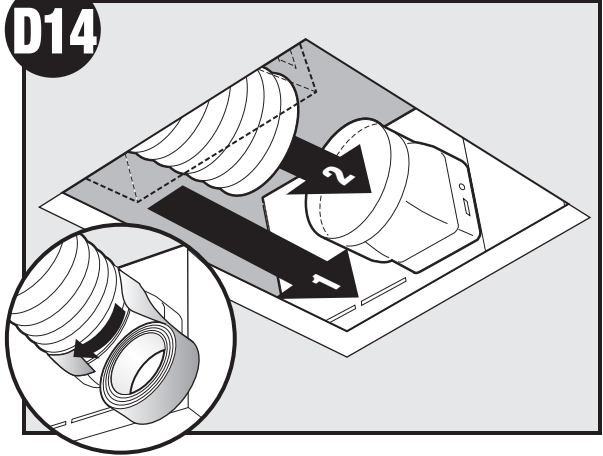
Mueva el alojamiento a su posición encima del techo.

**D13**



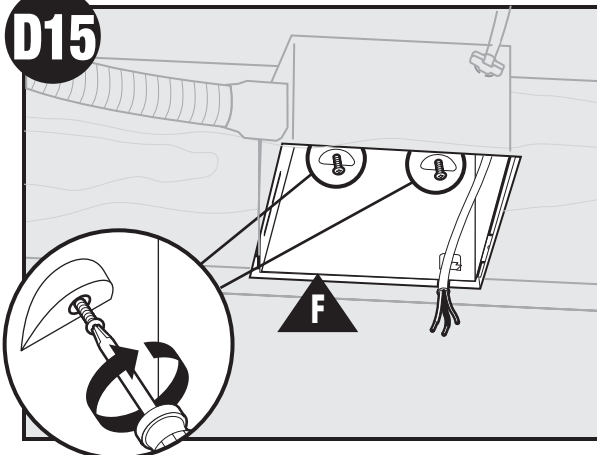
Tienda los cables a través del manguito de alivio de tensión.

**D14**

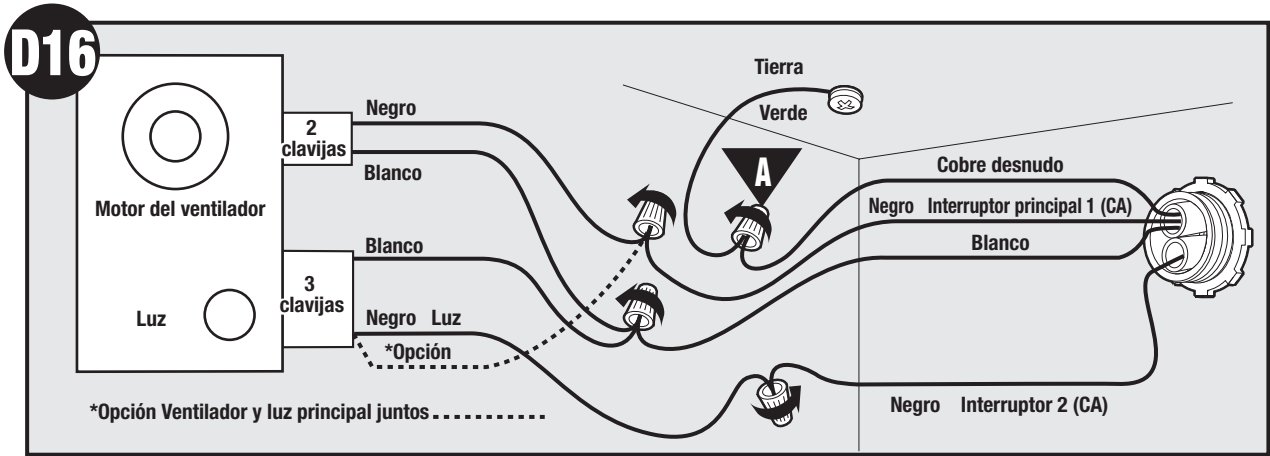


Conecte el ducto existente con el conector de ducto. Aplique cinta a las uniones. Si el ducto no se ajusta firmemente, puede ser necesario comprar un adaptador.

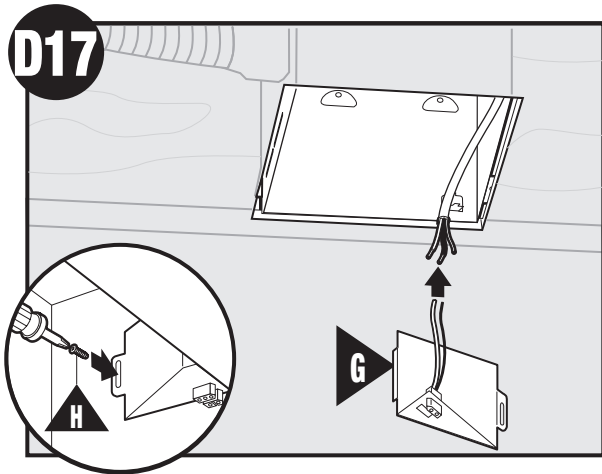
**D15**



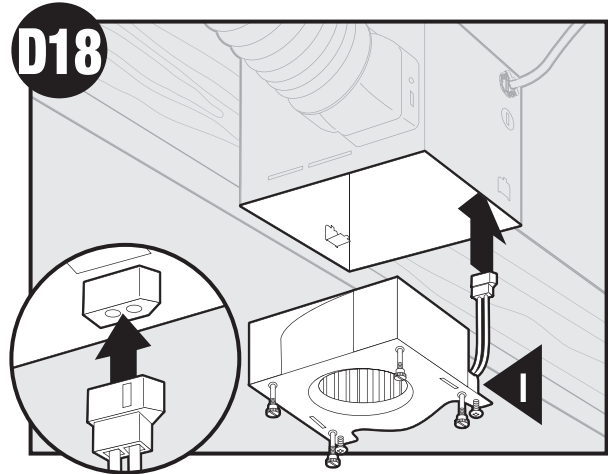
Instale el alojamiento a nivel con la plancha de yeso y asegúrelo apretando los tornillos precargados en la viga.



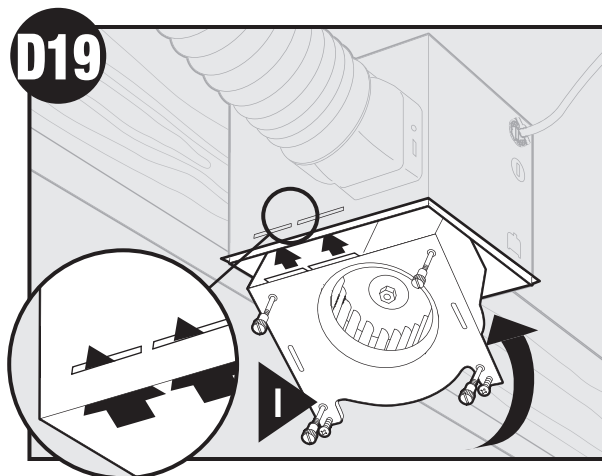
Conecte los alambres como se muestra.



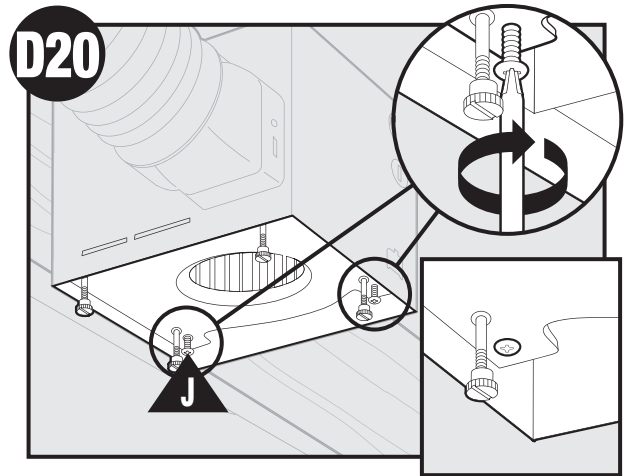
Instale la placa de cubierta del cableado. Asegúrese que todas las conexiones de cableado estén dentro de la caja o debajo de la placa de cubierta del cableado.



Conecte el mazo de cables. NO PERMITA QUE EL MOTOR CUELQUE DEL MAZO DE CABLES.

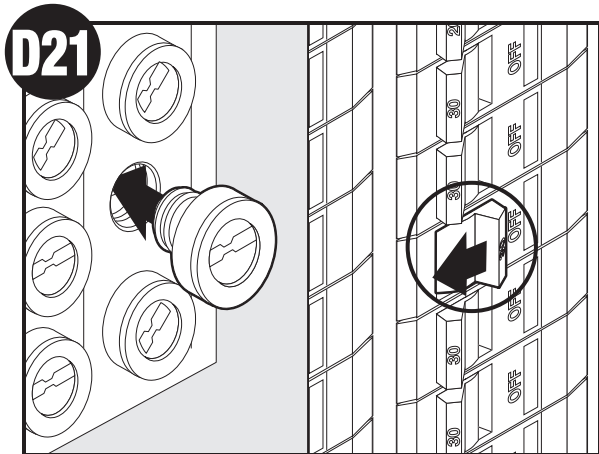


Vuelva a instalar el motor introduciendo las pestañas y levantando a su posición. Asegúrese que los alambres no se pellizquen entre el motor y el alojamiento.

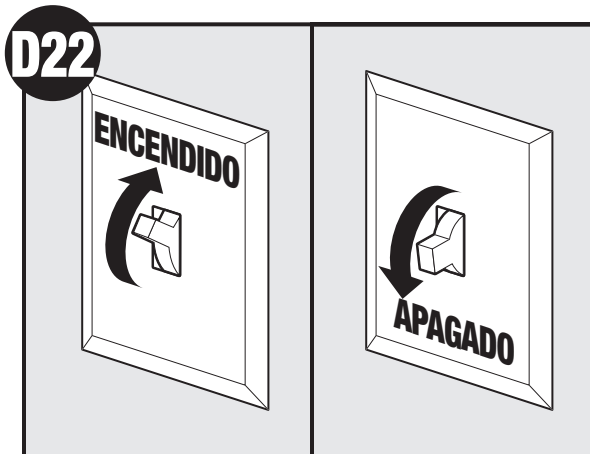


Asegure el motor apretando los 2 tornillos.





Encienda la fuente de alimentación.



Pruebe el motor. Si el motor no funciona, verifique la conexión del enchufe.

**D23**

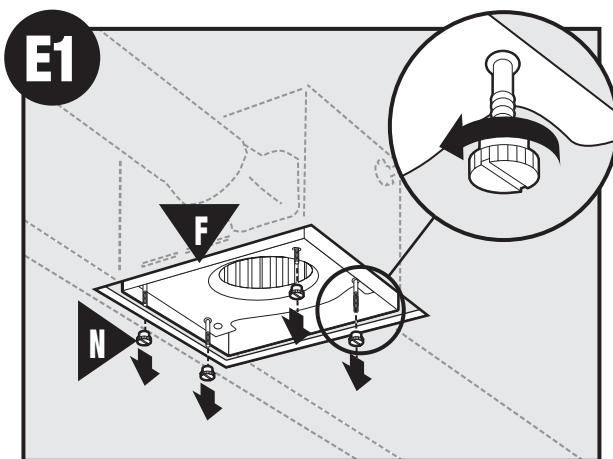
**Vaya al paso**

**E1**

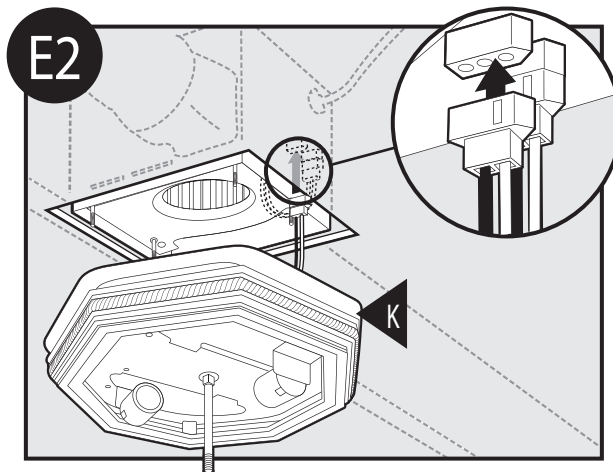
**en la página 37 para**

**fijar la rejilla.**

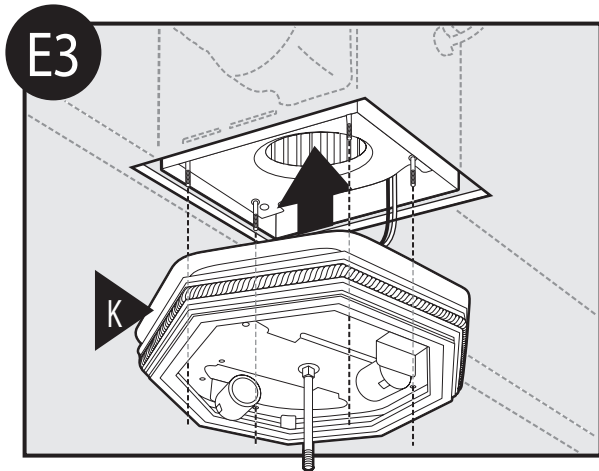
### Fijación de la rejilla



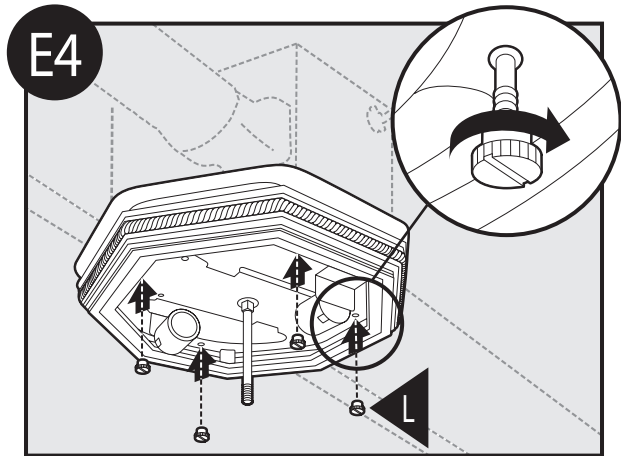
Retire los tornillos de mano.



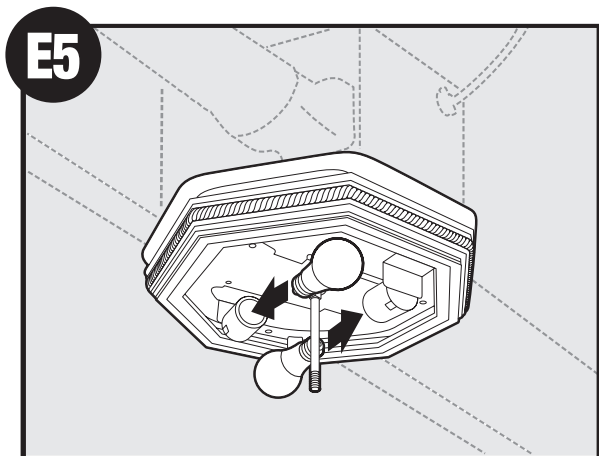
Conecte el mazo de cables. NO PERMITA QUE EL ARTEFACTO DE ILUMINACIÓN CUELGA DEL MAZO DE CABLES.



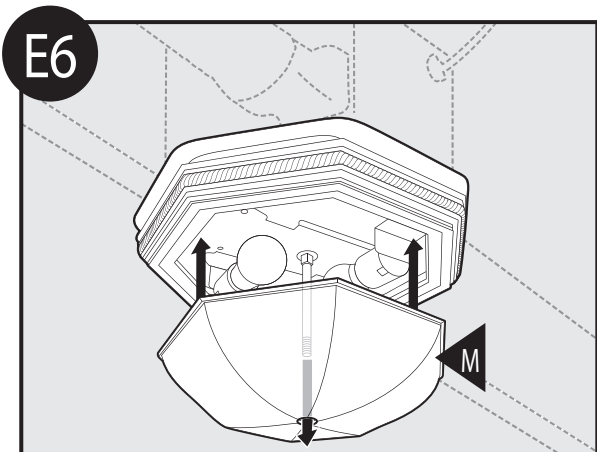
**E3**  
 Alinee los postes A, B, C y D (estampados en la caja del motor) con los postes A, B, C y D (estampados en el artefacto de iluminación). Deslice la lámpara sobre los postes.



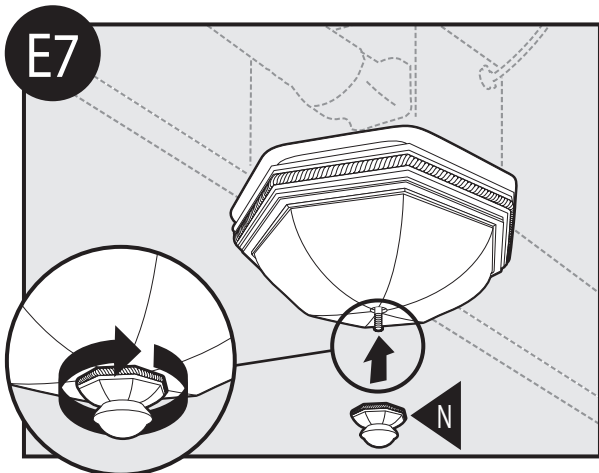
**E4**  
 Instale los tornillos de mano. ADVERTENCIA: Para reducir el riesgo de descarga eléctrica, los 4 tornillos de mano DEBEN instalarse apropiadamente.



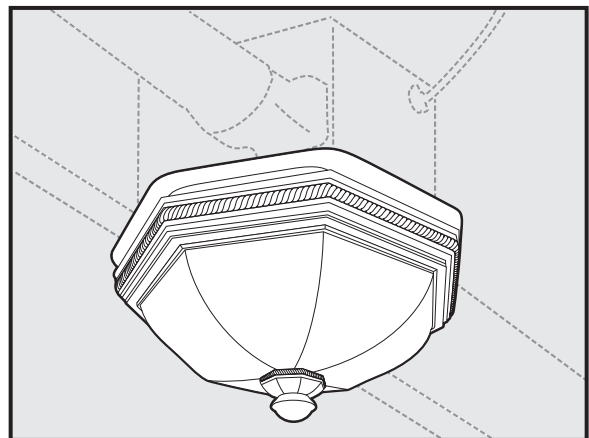
**E5**  
 Instale la lámpara fluorescente (incluida).



**E6**  
 Alinee la pantalla y levante.



**E7**  
 Enrosque la cubierta ornamental.



**E8**  
 Complete.

## Solución de problemas

Problema: El ventilador no está operando.

Solución:

- Los ventiladores de baño Hunter son muy silenciosos. Para confirmar que el ventilador esté funcionando, coloque su mano cerca de los conductos de ventilación para sentir el movimiento del aire.
- Encienda la alimentación eléctrica, reemplace el fusible o restablezca el interruptor automático.
- Verifique todas las conexiones de los enchufes para asegurarse que estén firmes.
- Verifique el cableado para asegurarse que coincida con el diagrama de cableado.

Problema: La luz no funciona.

Solución:

- Reemplace la bombilla con una nueva.
- Encienda la alimentación eléctrica, reemplace el fusible o restablezca el interruptor automático.
- Verifique todas las conexiones de los enchufes para asegurarse que estén firmes.
- Verifique el cableado para asegurarse que coincida con el diagrama de cableado.

Problema: El ventilador hace ruido.

Solución:

- Verifique y apriete todos los pernos y tornillos.
- Verifique la pantalla para asegurarse que esté firme.
- Verifique la clapeta para asegurarse que se mueva con libertad.

Si necesita repuestos o servicio, llame al 888-830-1326 o visite nuestro sitio web en <http://www.hunterfan.com>.

## Garantía

Hunter Fan Company  
Extractor de aire para baño  
GARANTÍA LIMITADA

Hunter Fan Company establece la siguiente garantía limitada al usuario o comprador original de este Extractor de aire para baño Hunter:

Si alguna pieza de su Extractor de aire para baño Hunter (con excepción de las lámparas de vidrio y las bombillas) falla en cualquier momento dentro de un año después de la fecha de compra debido a una falla de material o mano de obra, repararemos o, a nuestra elección, reemplazaremos la pieza defectuosa sin costo de partes y mano de obra realizada en nuestro centro de reparaciones más cercano o en nuestro Departamento de servicio en Memphis, Tennessee. Después de este período de un año, usted será responsable de todos los costos de partes y mano de obra para reparaciones del Extractor de aire para baño, con excepción de reparaciones del motor, como se estipula a continuación.

Si el motor de su Extractor de aire para baño Hunter falla en cualquier momento dentro de cinco años después de la fecha de compra debido a una falla de material o mano de obra, la mano de obra y los materiales para reparar la falla serán proporcionados sin costo en nuestro centro de reparaciones más cercano o en nuestro Departamento de servicio en Memphis, Tennessee. Si no puede proporcionarse alguna parte de reemplazo, a nuestra elección, le reembolsaremos el precio de compra real de su Extractor de aire para baño o le proporcionamos uno de reemplazo sin costo. Después de este período de cinco años, usted será responsable de todos los costos de partes y mano de obra para reparaciones de cualquier componente del Extractor de aire para baño.

SI EL USUARIO O COMPRADOR ORIGINAL DEJA DE POSEER EL EXTRACTOR DE AIRE, ESTA GARANTÍA Y CUALQUIER GARANTÍA IMPLÍCITA QUE PERMANEZCA EN EFECTO, INCLUYENDO PERO SIN LIMITARSE A TODA GARANTÍA IMPLÍCITA DE COMERCIABILIDAD O IDONEIDAD PARA UN PROPÓSITO PARTICULAR, QUEDA ANULADA. NO SE OFRECE NINGUNA GARANTÍA EXPRESA O IMPLÍCITA, INCLUYENDO CUALQUIER GARANTÍA DE COMERCIABILIDAD O IDONEIDAD PARA UN PROPÓSITO PARTICULAR, PARA LAS LÁMPARAS DE VIDRIO O LAS BOMBILLAS O EL ACABADO DE CUALQUIER PARTE METÁLICA DEL EXTRACTOR DE AIRE PARA BAÑO.

ESTA GARANTÍA SUSTITUYE A TODAS LAS OTRAS GARANTÍAS EXPRESAS. LA DURACIÓN DE TODA GARANTÍA IMPLÍCITA, INCLUYENDO PERO SIN LIMITARSE A CUALQUIER GARANTÍA IMPLÍCITA DE COMERCIABILIDAD O IDONEIDAD PARA UN PROPÓSITO PARTICULAR, CON RESPECTO DE CUALQUIER MOTOR DE EXTRACTOR DE AIRE PARA BAÑO HUNTER U OTRA PARTE DEL VENTILADOR, ESTÁ EXPRESAMENTE LIMITADA AL PERIODO DE LA GARANTÍA EXPRESA ESTABLECIDA ANTERIORMENTE PARA DICHOS MOTORES U OTRAS PARTES.

Esta garantía es nula si su Extractor de aire para baño no se adquiere e instala en los EE.UU. Esta garantía excluye y no cubre defectos, averías o fallas del Extractor de aire para baño Hunter que fueran ocasionados por reparaciones por parte de personas no autorizadas por nosotros, por el uso de piezas o accesorios no autorizados por nosotros, por mal uso, modificaciones, o daños al Extractor de aire para baño Hunter mientras esté en su posesión, o por un empleo no razonable, incluyendo la falta de suministrar un razonable y necesario mantenimiento.

Para obtener servicio, contacte con el centro de servicio autorizado Hunter más cercano o con nuestro Departamento de servicio de Hunter Fan Company, en 2500 Frisco Avenue, Memphis, Tennessee 38114. Le agradeceremos que se ponga en contacto con nosotros antes de enviarnos su Extractor de aire para baño. Si le autorizamos a enviarlo, usted será responsable de todos los cargos de seguro y flete o de otras cargas del transporte a nuestra planta o centro de reparaciones. Devolveremos su Extractor de aire para baño Hunter con el flete prepagado. Su Extractor de aire para baño Hunter se debe embalar apropiadamente para evitar daños durante el tránsito ya que no seremos responsables de dichos daños. Al solicitar un servicio de garantía, debe exhibir una prueba de su compra. El comprador debe presentar el recibo de compra u otro documento que establezca la prueba de su compra.

EN NINGÚN CASO HUNTER FAN COMPANY SERÁ RESPONSABLE DE DAÑOS PERJUDICIALES O ACCESORIOS.

ALGUNOS ESTADOS NO PERMITEN LIMITACIONES SOBRE LA DURACIÓN DE UNA GARANTÍA IMPLÍCITA O LA EXCLUSIÓN O LIMITACIÓN DE DAÑOS ACCESORIOS O PERJUDICIALES, POR LO QUE LA LIMITACIÓN O EXCLUSIONES ANTES MENCIONADAS PUEDEN NO APLICARSE A USTED.

LA GARANTÍA LE DA DERECHOS LEGALES ESPECÍFICOS, PERO USTED TAMBIÉN PUEDE TENER OTROS DERECHOS QUE VARÍAN DE ESTADO A ESTADO.

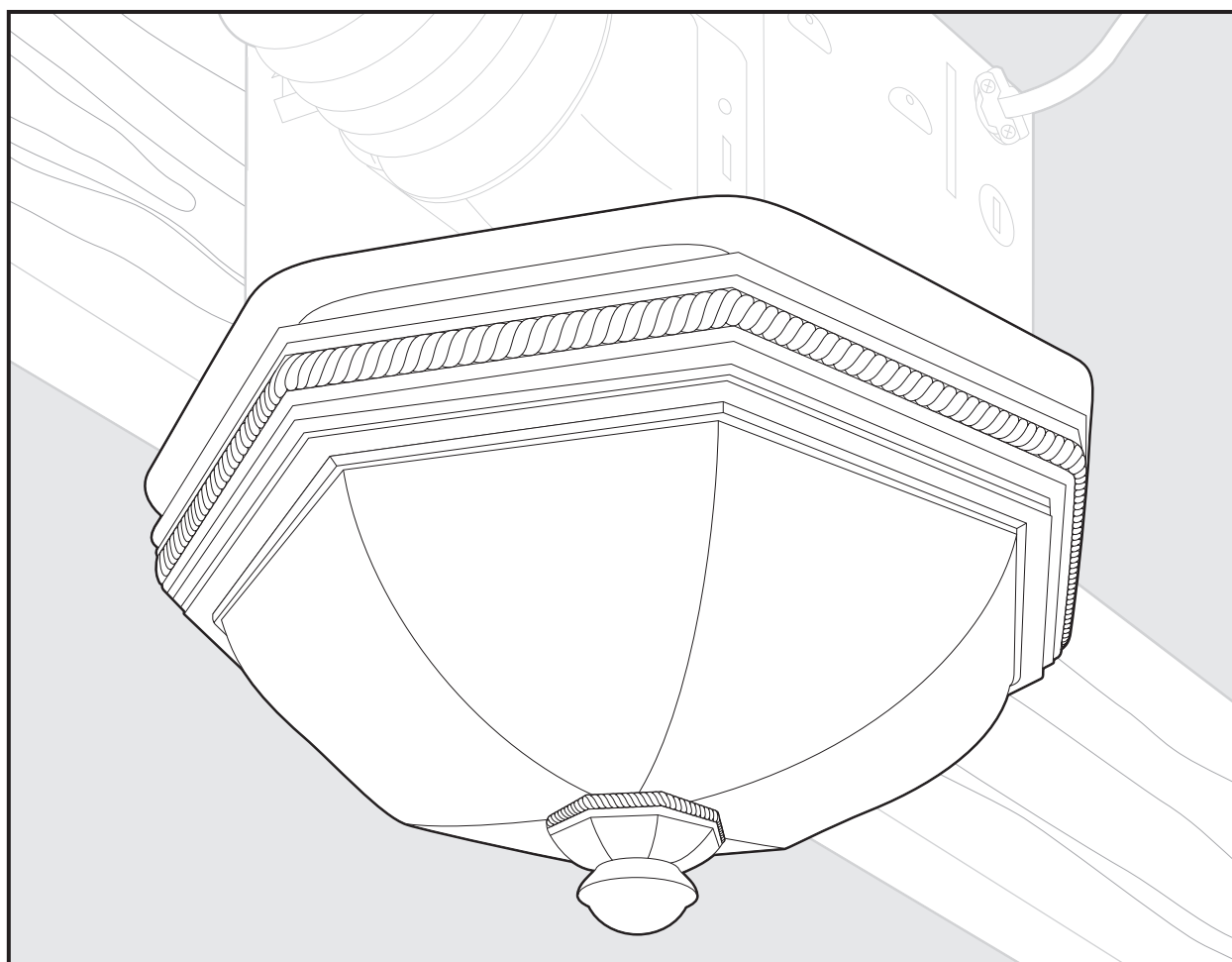




DEPUIS

1886

G u i d e d ' i n s t a l l a t i o n



Ventilateur de salle de bain Belle Meade 82023 avec lumière  
**LIRE ET CONSERVER CES CONSIGNES**

FRANÇAIS



## M I S E E N G A R D E

POUR RÉDUIRE LE RISQUE D'INCENDIE, DE CHOC ÉLECTRIQUE OU DE BLESSURES, VEUILLEZ SUIVRE LES DIRECTIVES SUIVANTES :

1. Utiliser cette unité seulement de la façon prévue par le fabricant. Si vous avez des questions, communiquez avec le fabricant au numéro de téléphone et à l'adresse indiquée dans la garantie.
2. Avant d'installer, d'entretenir ou de nettoyer l'unité, couper le courant en mettant hors tension les disjoncteurs de la prise et de l'interrupteur mural connexe. Si vous ne pouvez pas verrouiller les disjoncteurs en position fermée, bien attacher un dispositif de mise en garde visible, comme une étiquette, au panneau électrique.
3. Une personne qualifiée doit effectuer le travail d'installation et de câblage électrique conformément à tous les codes et normes applicables, y compris les codes et normes de la construction pare-feu.
4. Ne pas endommager le câblage électrique ou autres équipements cachés en coupant ou en perçant les murs ou le plafond.
5. Les ventilateurs canalisés doivent toujours disposer d'une évacuation vers l'extérieur. Faire en sorte que la gaine soit aussi courte et droite que possible.
6. Admissible pour un usage au-dessus d'une baignoire ou d'une douche quand il est connecté à un circuit terminal protégé par un disjoncteur de fuite à la terre.
7. Installer le ventilateur à au moins 1,52 m (5 pi) au-dessus du plancher.
8. Ne jamais poser un interrupteur qu'on pourrait atteindre depuis une baignoire ou une douche.
9. Il faut mettre cette unité à la terre.

## ATTENTION

1. Uniquement pour un usage de ventilation général. Ne pas s'en servir pour ventiler des matériaux dangereux ou explosifs.
2. Pour éviter des dommages au palier du moteur et des turbines bruyantes ou mal équilibrées, protéger le groupe moteur de la peinture au pistolet, la poussière de construction, etc.
3. NE PAS installer ce produit dans un mur. Ce produit est conçu pour être installé dans les plafonds avec un angle de 45°, la gaine doit pointer vers le haut.
4. Veuillez lire l'étiquette des spécifications sur le produit pour des renseignements et conditions supplémentaires.

## MISE EN GARDE

DÉCONNECTER  
L'ALIMENTATION  
ÉLECTRIQUE ET  
VERROUILLER LE  
PANNEAU DE  
SERVICE AVANT  
DE FAIRE  
L'ENTRETIEN DE L'UNITÉ.

## ENTRETIEN PRÉVENTIF

Un ventilateur propre fournit un meilleur service. Couper le courant et nettoyer le ventilateur comme indiqué ci-dessous.

POUR NETTOYER LA GRILLE ; Se servir d'un détergent doux, comme du liquide à vaisselle, et d'un chiffon doux. Ne pas se servir de chiffons abrasifs, de tampons de laine d'acier ou de poudres à récurer.

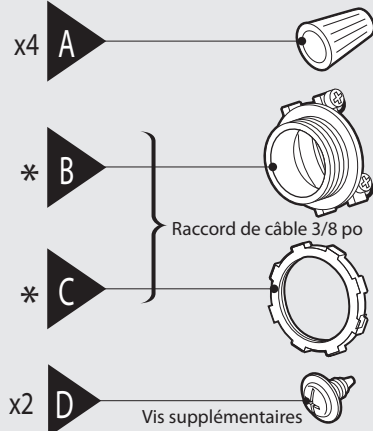
POUR NETTOYER L'ENSEMBLE DU VENTILATEUR ; Débrancher le cordon du moteur de la prise. Pour retirer la plaque du moteur, repérer la languette unique sur la plaque (située près de la prise). Pousser vers le haut et l'arrière la languette de la plaque de moteur tout en poussant vers l'extérieur le côté du boîtier, ou insérer un tournevis dans la fente du boîtier (près de la languette) et faire levier. Passer doucement l'aspirateur sur le ventilateur, le moteur et à l'intérieur du boîtier

IL NE FAUT JAMAIS IMMERGER DANS L'EAU LES PIÈCES MÉTALLIQUES ET ÉLECTRIQUES.

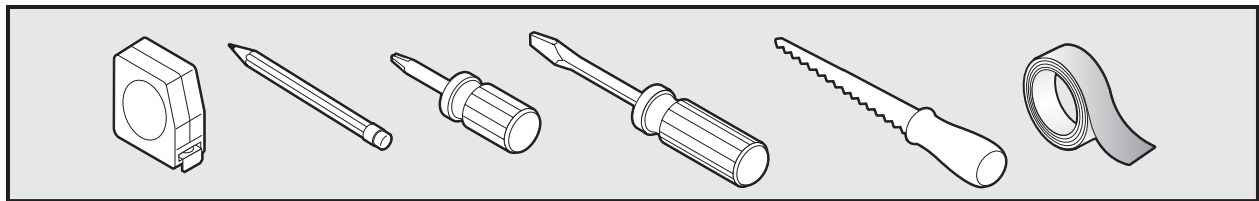
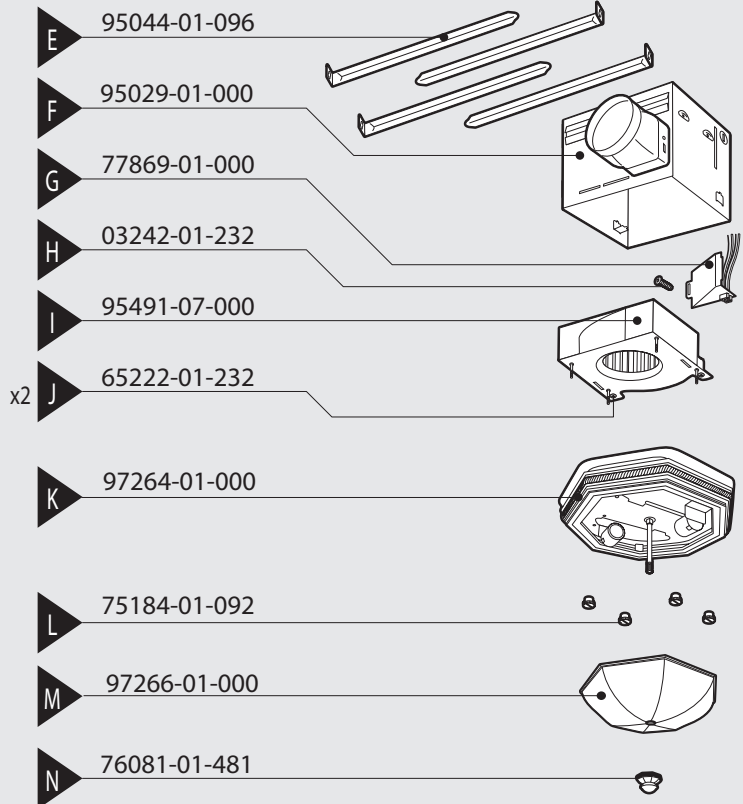
## ENTRETIEN

Le moteur est lubrifié en permanence et n'a jamais besoin d'huile. Si les paliers du moteur font un bruit excessif ou inhabituel, remplacer le moteur avec exactement le même moteur. Vous devriez en même temps remplacer la turbine.

Vérifier toutes les pièces. Si certaines sont endommagées, appeler le 1-888-830-1326 pour des pièces de rechange.



\* NOTA: Il faut poser un raccord de câble. Non compris.

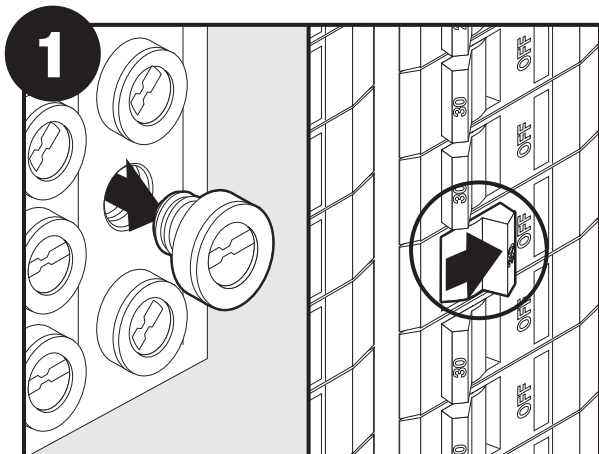


Outils nécessaires. (Non fournis)

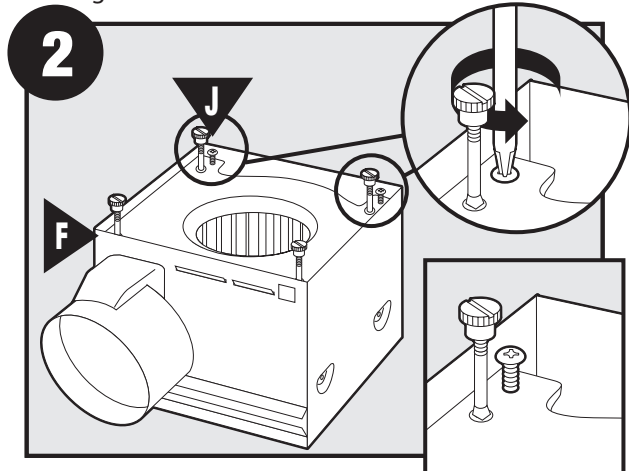
Temps estimé du montage : De 30 à 60 minutes

## Avant l'installation

NOTA : Retirer tous les matériaux d'emballage avant l'installation.

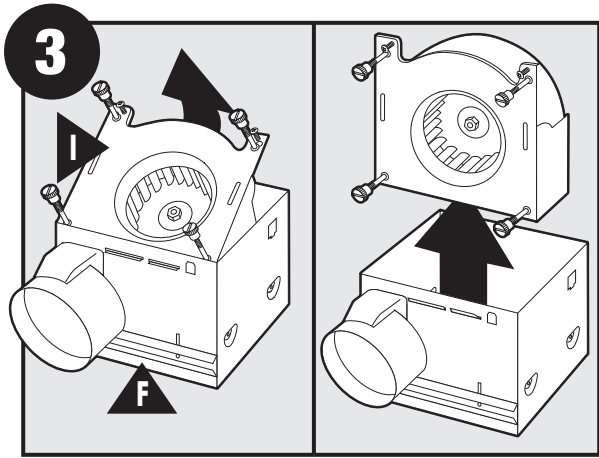


Couper le courant.

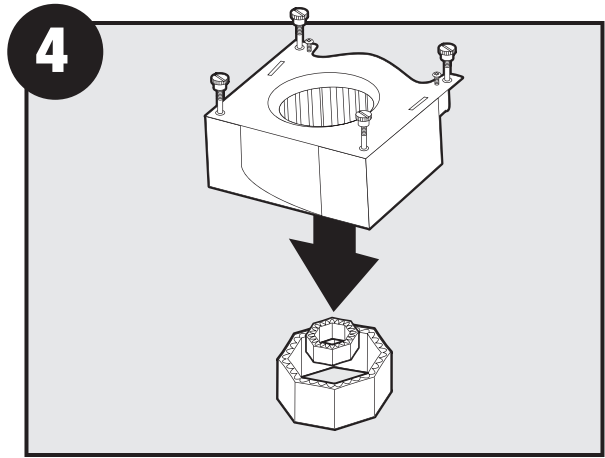


Desserrer les vis.

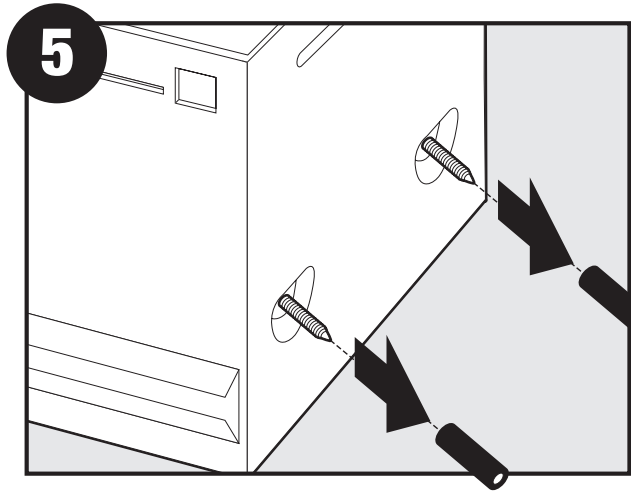




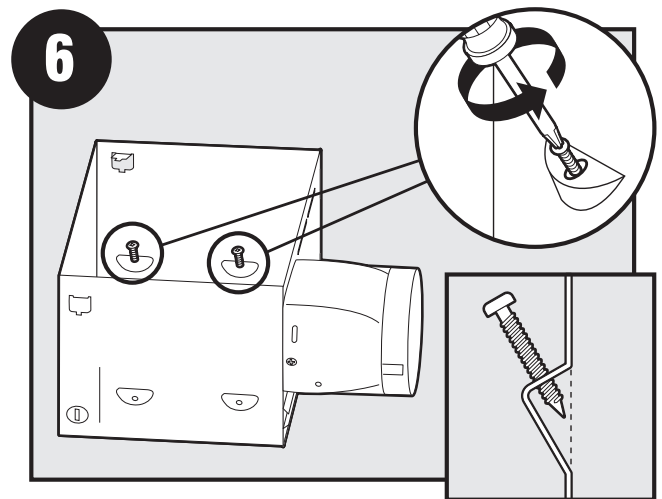
Retirer le moteur/souffleur du boîtier.



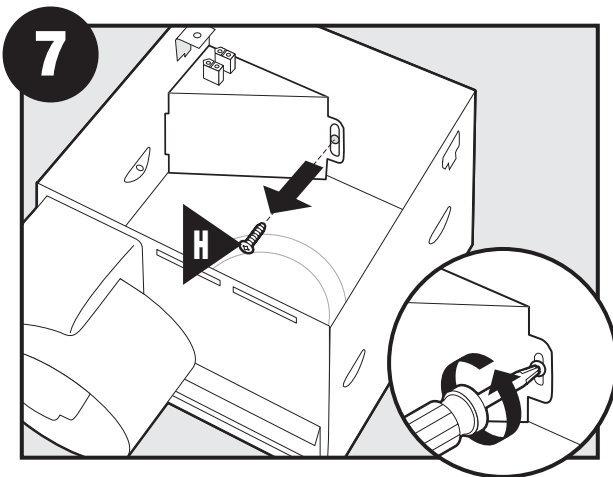
Retirer les matériaux d'emballage.



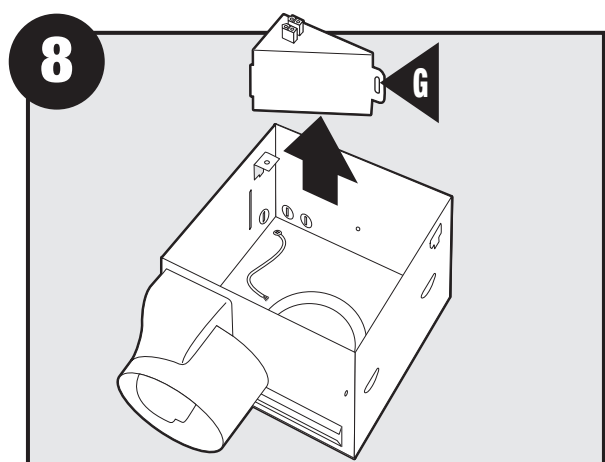
Retirer les capuchons du bout des vis pré-installées.



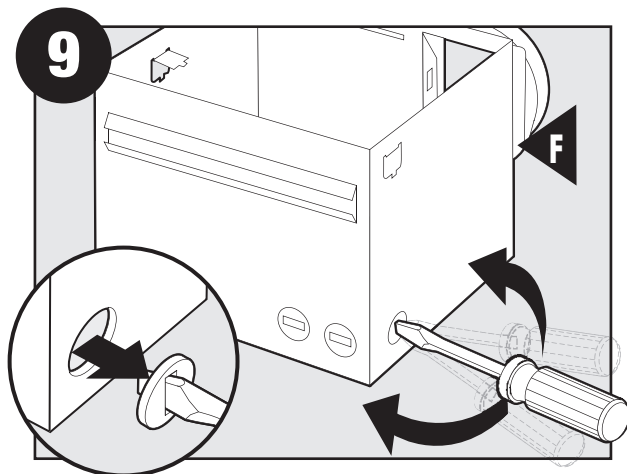
Dévisser les vis pré-installées jusqu'à ce que leur bout affleure le côté du boîtier.



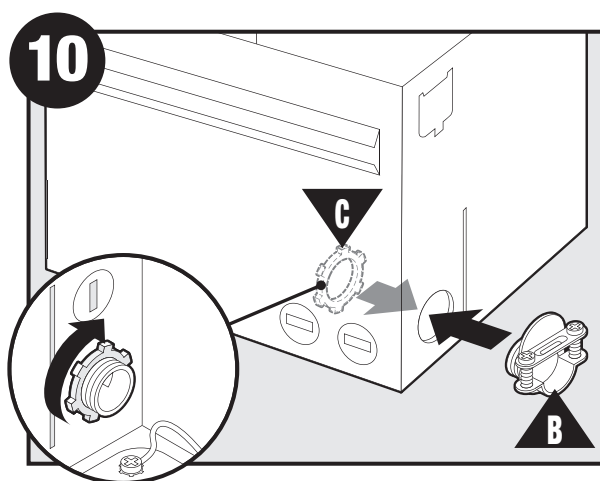
Retirer la vis du couvercle du câblage.



Retirer le couvercle du câblage.



Défoncer le première pastille d'accès.  
En utiliser une seconde si nécessaire.

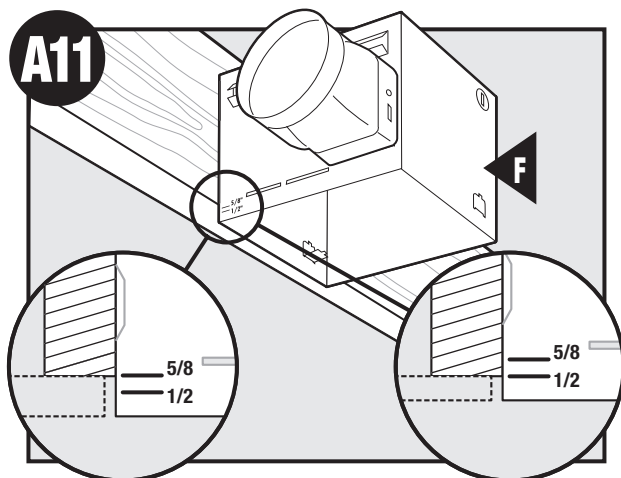


Introduire le raccord (non compris) dans le boîtier  
et le fixer avec une rondelle.

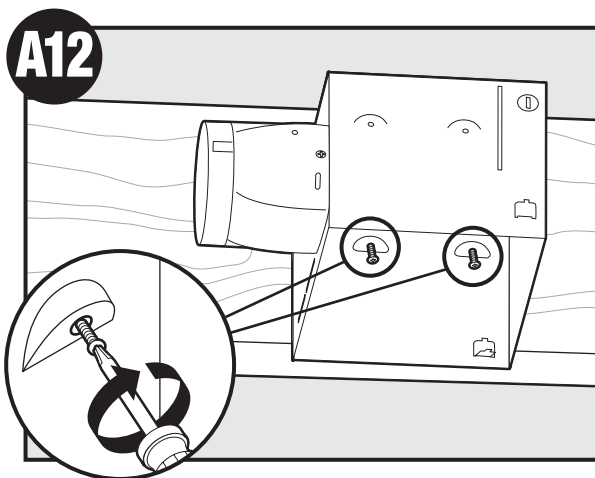
### Choisir votre option d'installation

Pour une nouvelle construction – Fixation à une solive, aller à l'étape A11, page 25  
 Pour une nouvelle construction – Fixation entre des solives, aller à l'étape B11, page 28  
 Pour une construction existante – accessible du dessus, aller à l'étape C11, page 31  
 Pour une construction existante – accessible uniquement du dessous,  
 aller à l'étape D11, page page 35

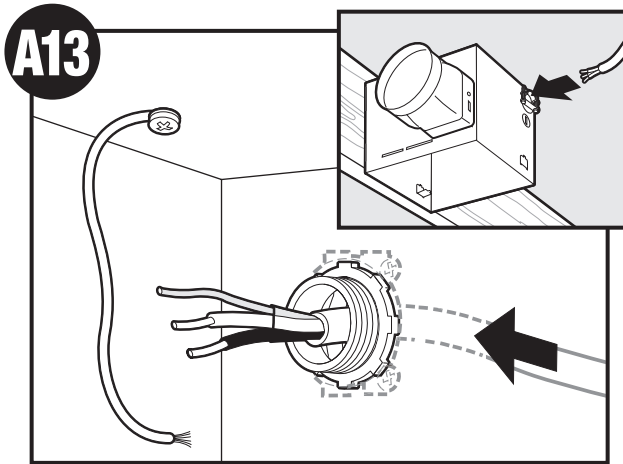
### Nouvelle construction – Fixation à une solive



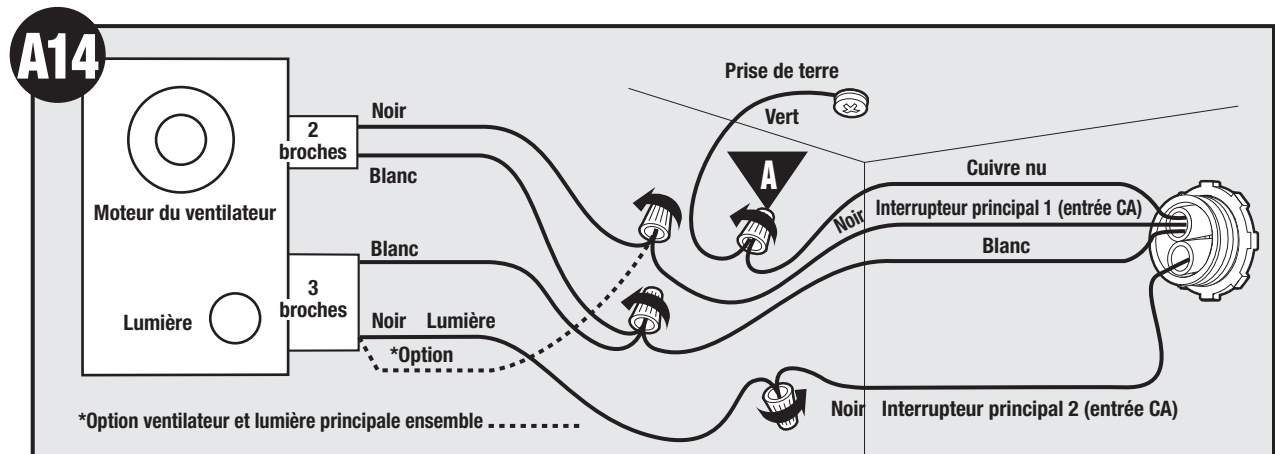
Placer la bonne marque de hauteur sur le bord inférieur de  
la solive selon l'épaisseur de votre plaque de gypse.



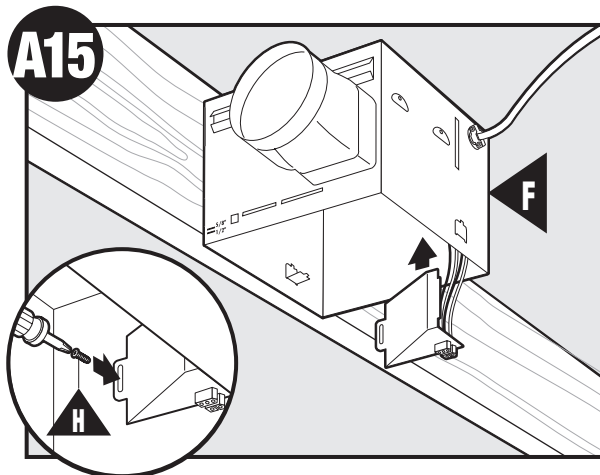
Visser les vis pré-installées dans la solive ou la structure.



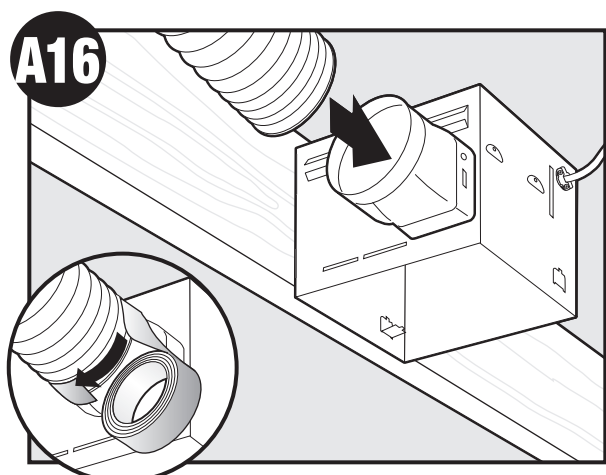
Passer les fils par le raccord.



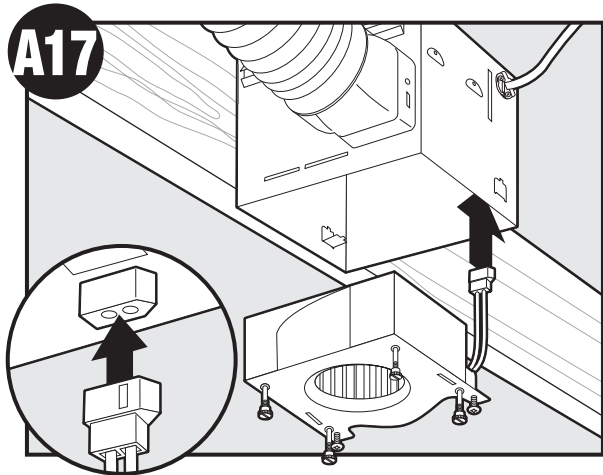
Connecter les fils tel qu'indiqué.



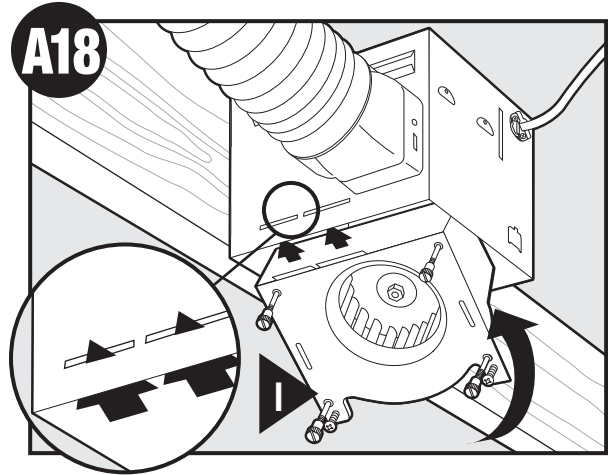
Installer la plaque de couvercle du câblage. Assurez-vous que toutes les connexions de câblage sont dans la boîte ou derrière la plaque de couvercle du câblage.



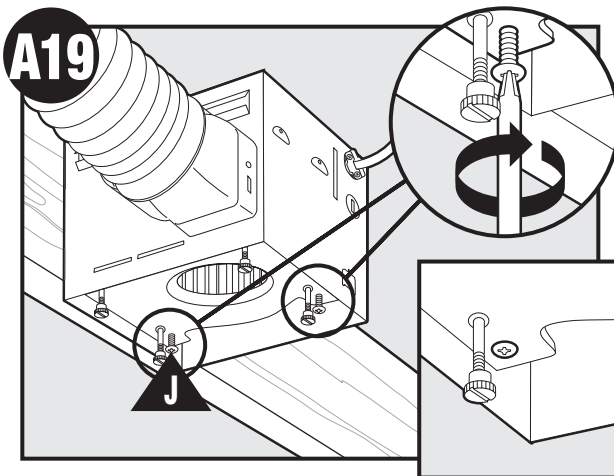
Raccorder la gaine de 4 po et l'évent à l'extérieur. Joindre avec du ruban. Si la gaine n'est pas de la bonne dimension, vous pourriez devoir acheter un adaptateur.



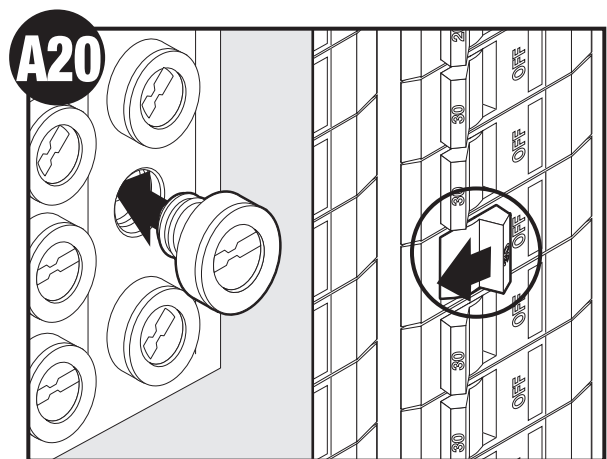
Connecter le câblage. NE LAISSER PAS LE MOTEUR  
PENDRE PAR LE CÂBLAGE.



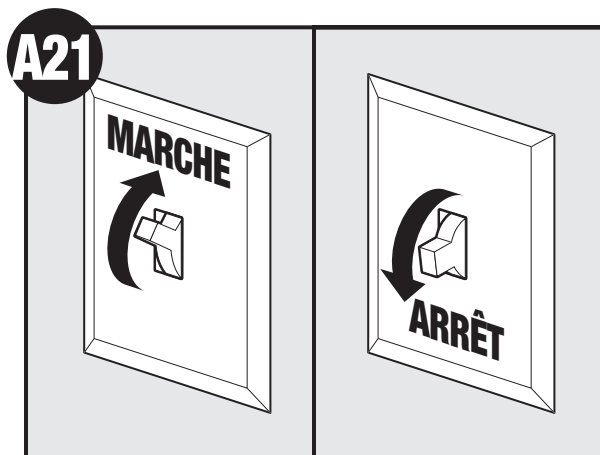
Reposer le moteur en insérant les languettes et en le  
poussant vers le haut en place. Assurez-vous que les fils  
n'ont pas été pincés entre le moteur et le boîtier.



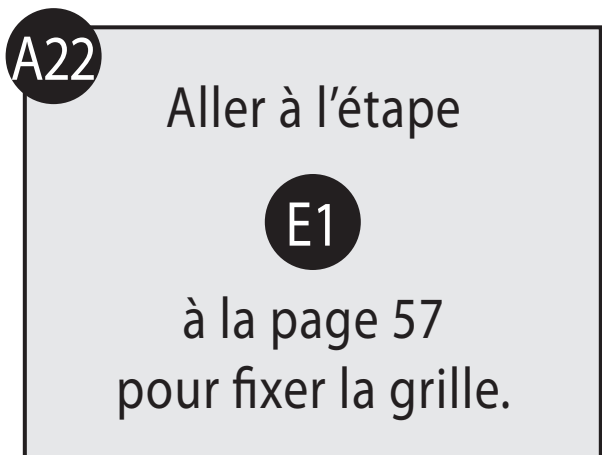
Fixer le moteur en serrant les deux vis.



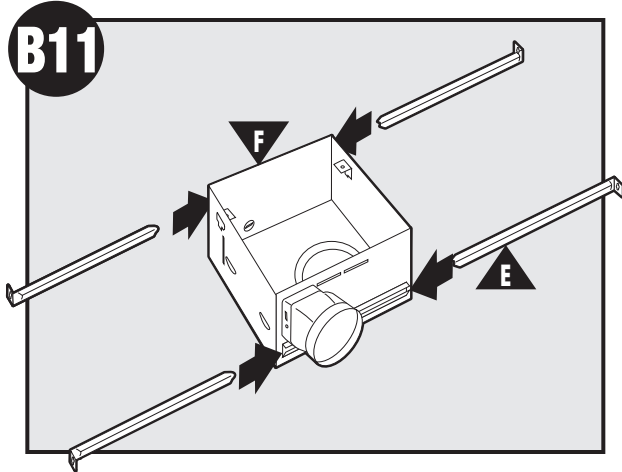
Remettre le courant.



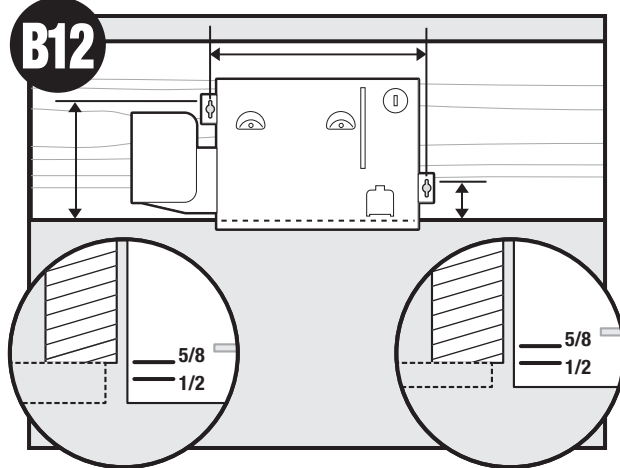
Essayer le moteur. Si le moteur ne fonctionne pas,  
vérifier la connexion enfichable.



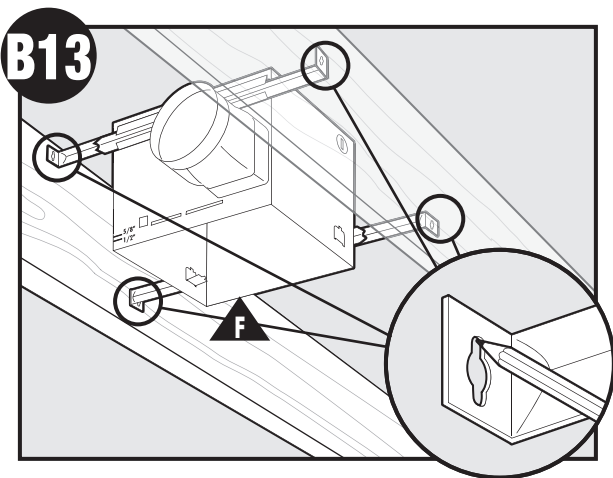
## Nouvelle construction – suspendu entre des solives



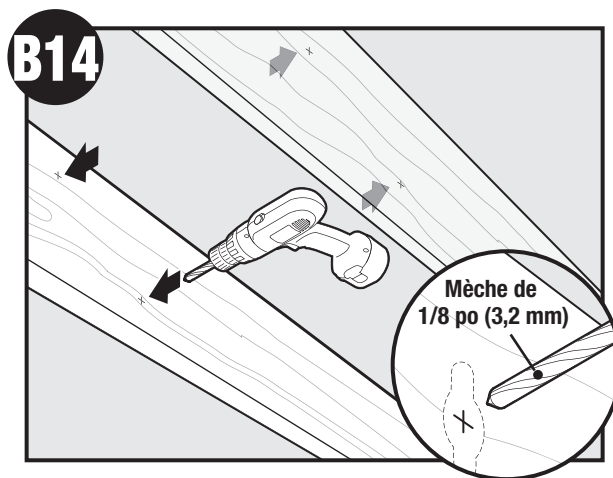
Faire glisser les glissières de fixation dans les supports.



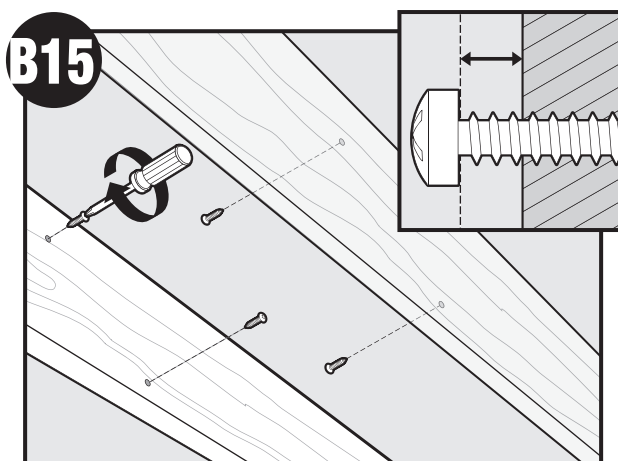
Placer la bonne marque de profondeur sur le bord inférieur de la solive selon l'épaisseur de votre plaque de gypse.



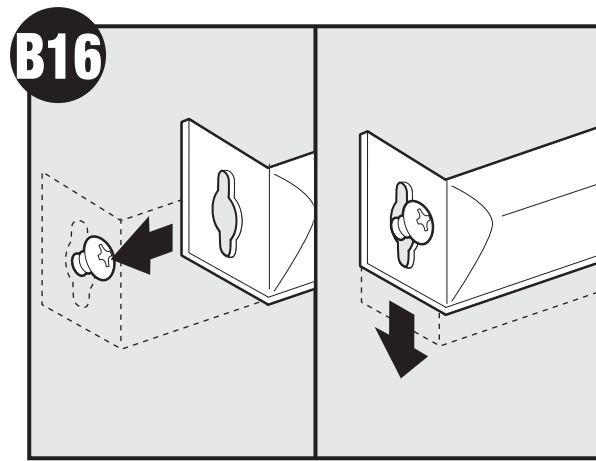
Marquer la position des vis en vous servant des trous comme gabarit.



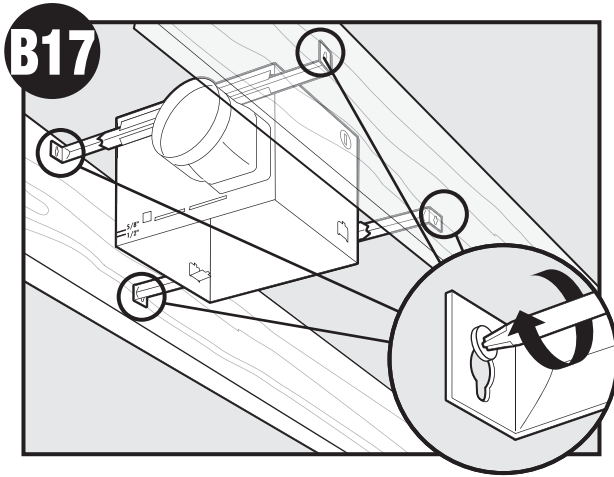
Percer un trou au centre de chaque trait.



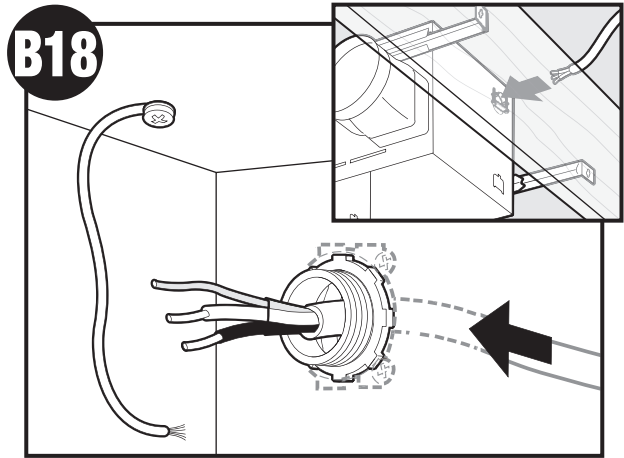
Insérer les vis en laissant un espace entre la tête de la vis et la solive. Les vis ne sont pas fournies.



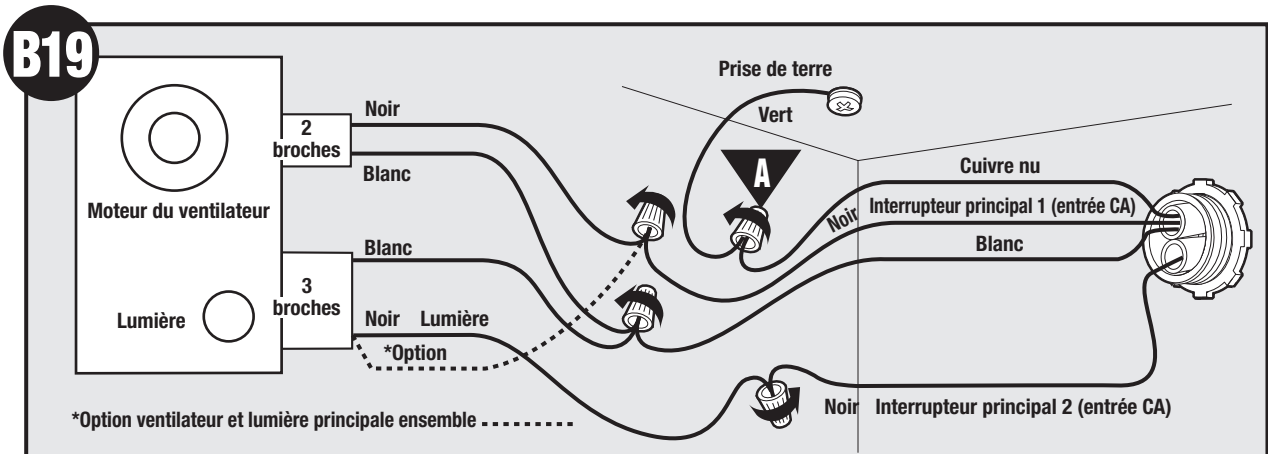
Fixer les glissières sur les vis.



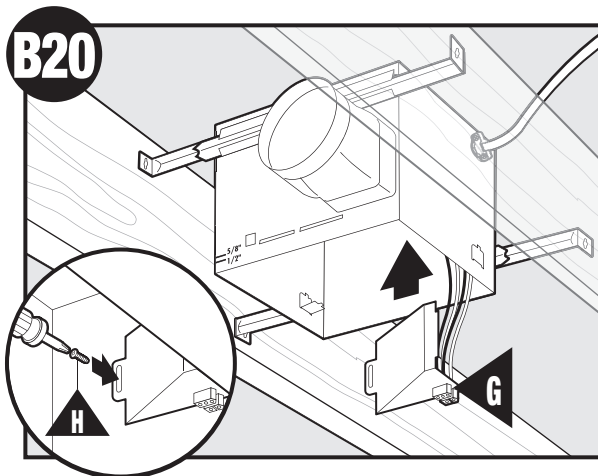
Visser les vis.



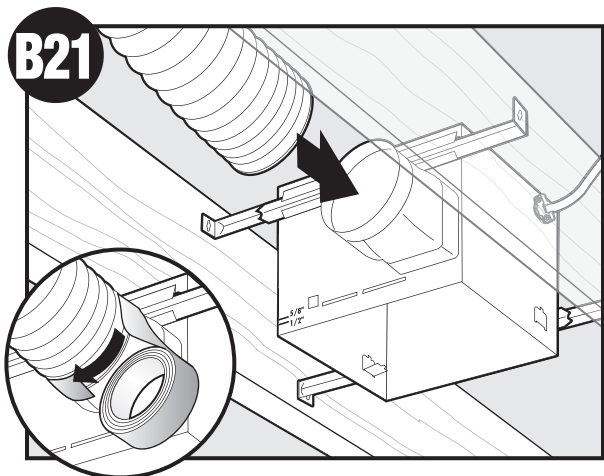
Passer les fils par le raccord.



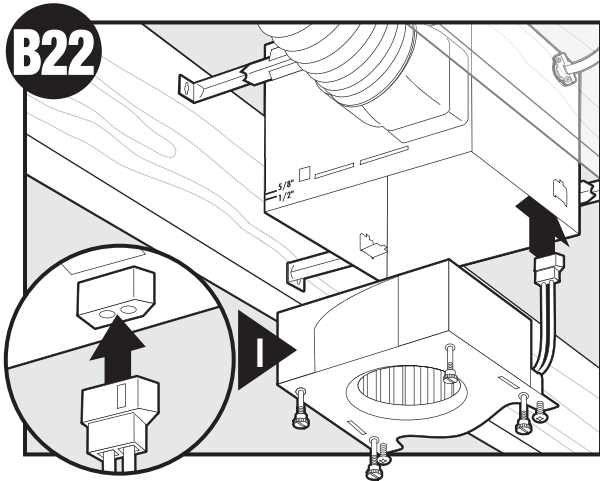
Connecter les fils tel qu'indiqué.



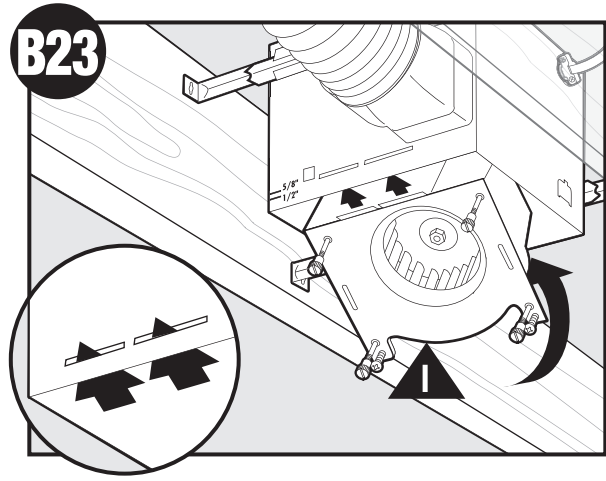
Installer la plaque de couvercle du câblage. Assurez-vous que toutes les connexions de câblage sont dans la boîte et derrière la plaque de couvercle du câblage.



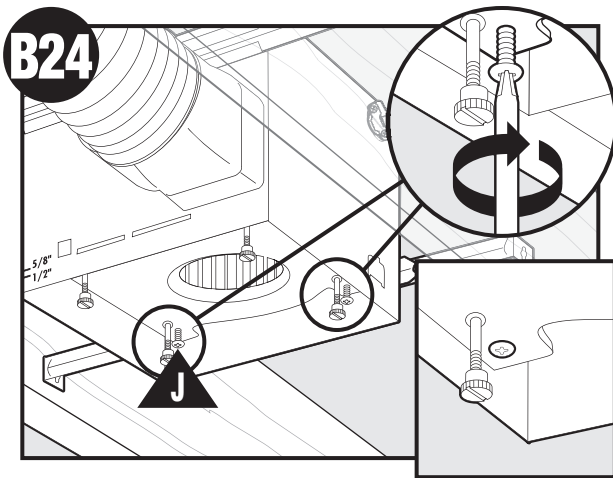
Raccorder la gaine de 4 po et l'évent à l'extérieur. Joints avec du ruban. Si la gaine n'est pas de la bonne dimension, vous pourriez devoir acheter un adaptateur.



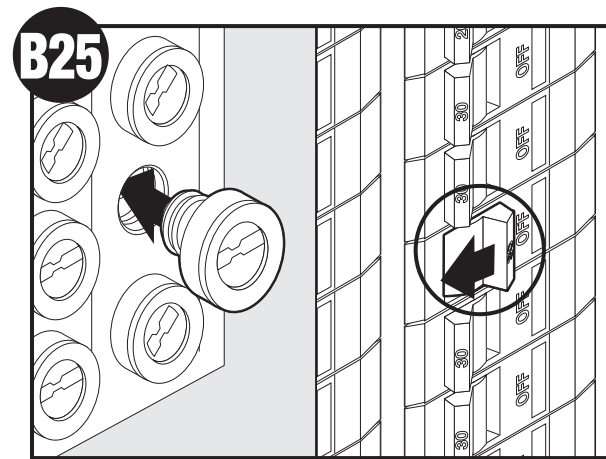
Connecter le câblage. NE LAISSER PAS LE MOTEUR  
PENDRE PAR LE CÂBLAGE.



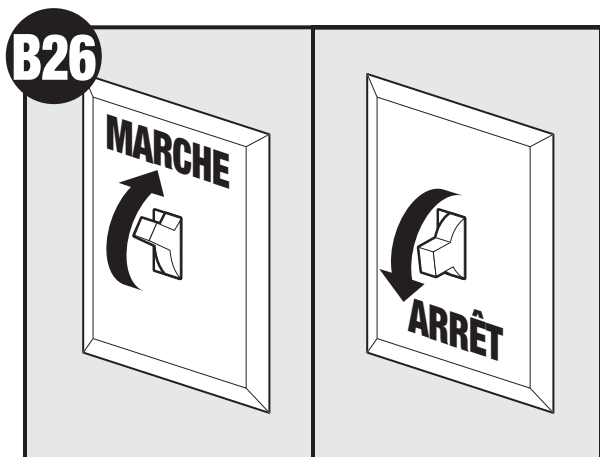
Reposer le moteur en insérant les languettes et en le  
poussant vers le haut en place. Assurez-vous que les fils  
n'ont pas été pincés entre le moteur et le boîtier.



Fixer le moteur en serrant les deux vis.



Remettre le courant.

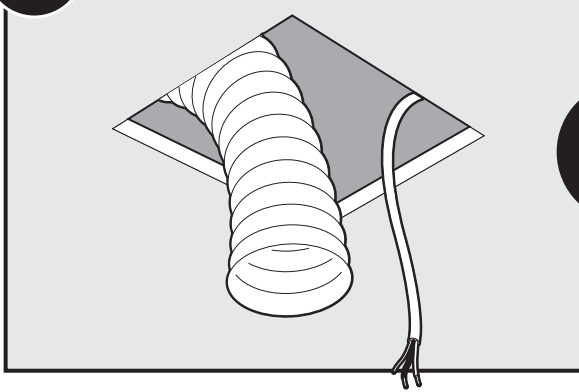


Essayer le moteur. Si le moteur ne fonctionne pas,  
vérifier la connexion enfichable.





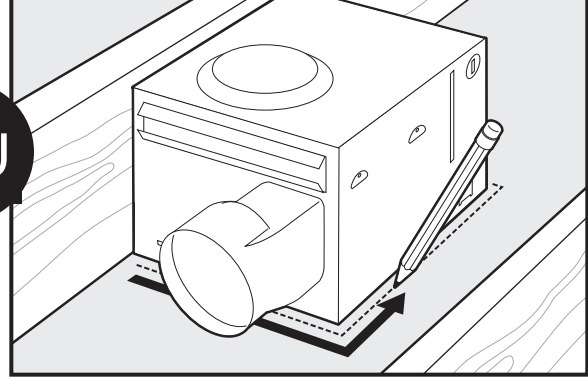
### C11 VENTILATEUR EXISTANT



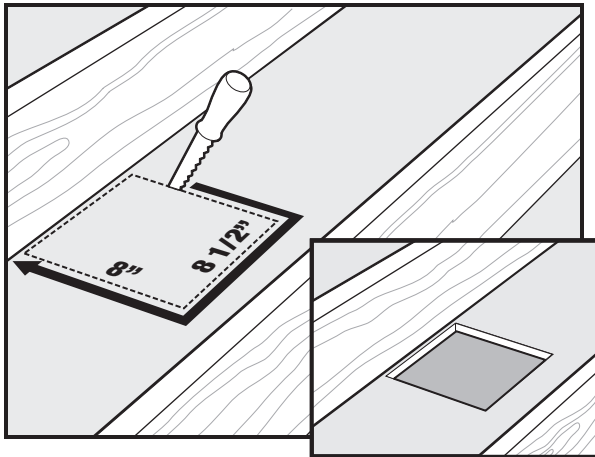
Enlever un ventilateur existant et vérifier que l'ouverture est assez grande pour permettre la pose d'un nouveau boîtier de moteur (203 mm x 216 mm [8 po x 8,5 po]).

OU

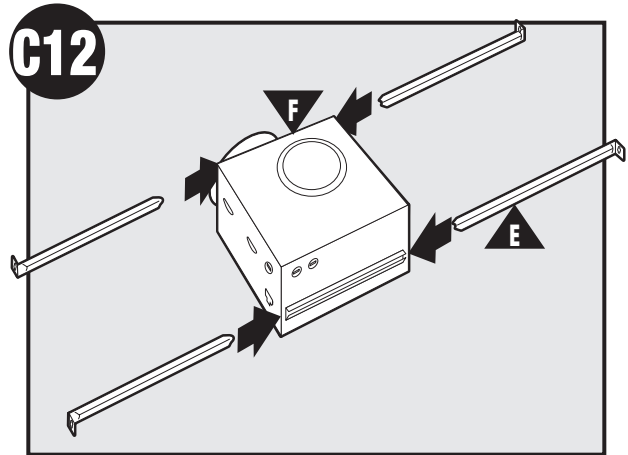
### VENTILATEUR NON EXISTANT



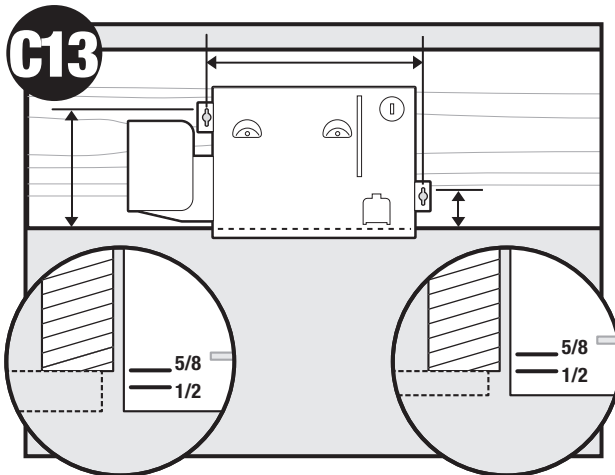
Utiliser le boîtier du moteur comme gabarit pour marquer sa position.



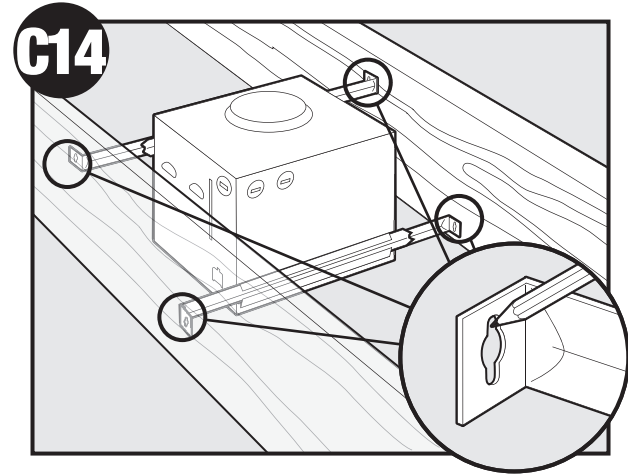
Découper une ouverture pour le boîtier.



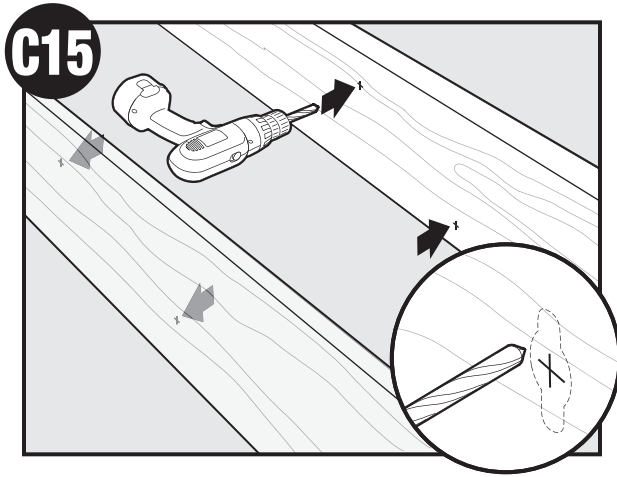
Faire glisser les glissières de fixation dans les supports.



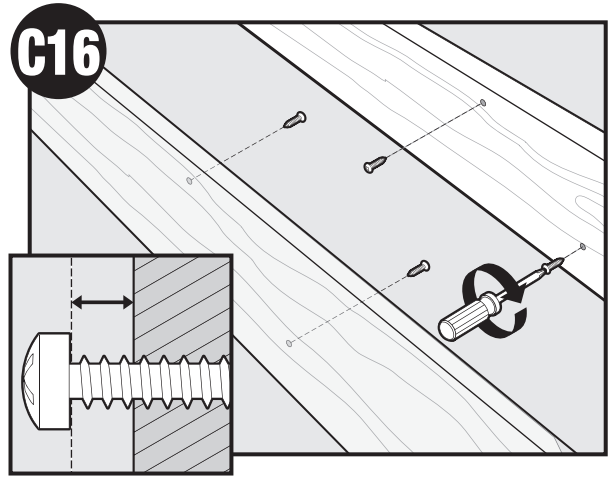
Placer la bonne marque de profondeur sur le bord inférieur de la solive selon l'épaisseur de votre plaque de gypse.



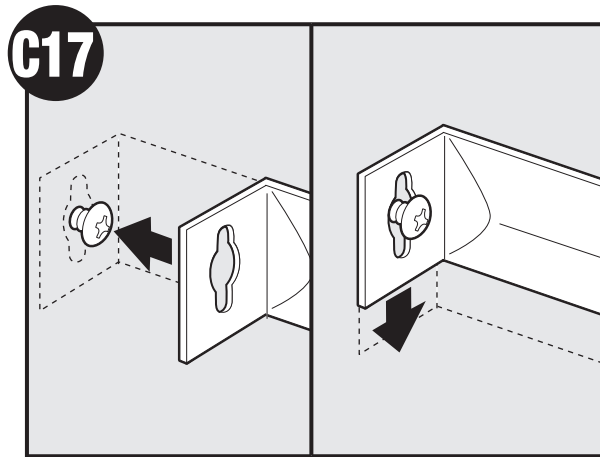
Marquer la position des vis en vous servant des trous comme gabarit.



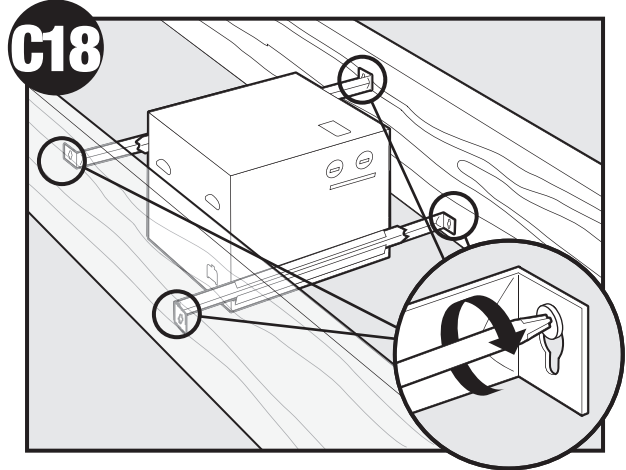
Percer un trou au centre de chaque trait.



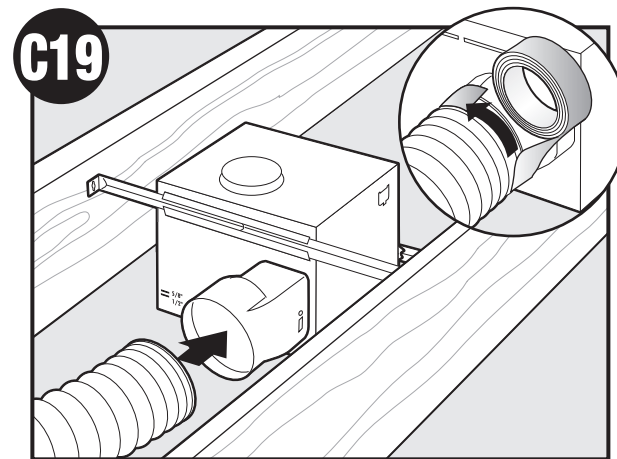
Insérer les vis en laissant un espace entre la tête de la vis et la solive. Les vis ne sont pas fournies.



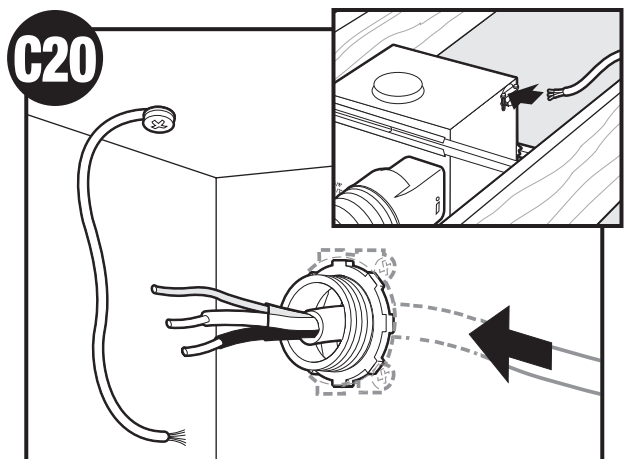
Fixer les glissières sur les vis.



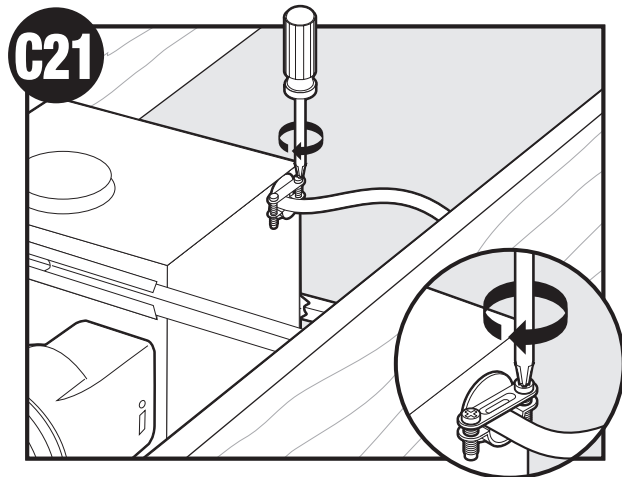
Visser les vis.



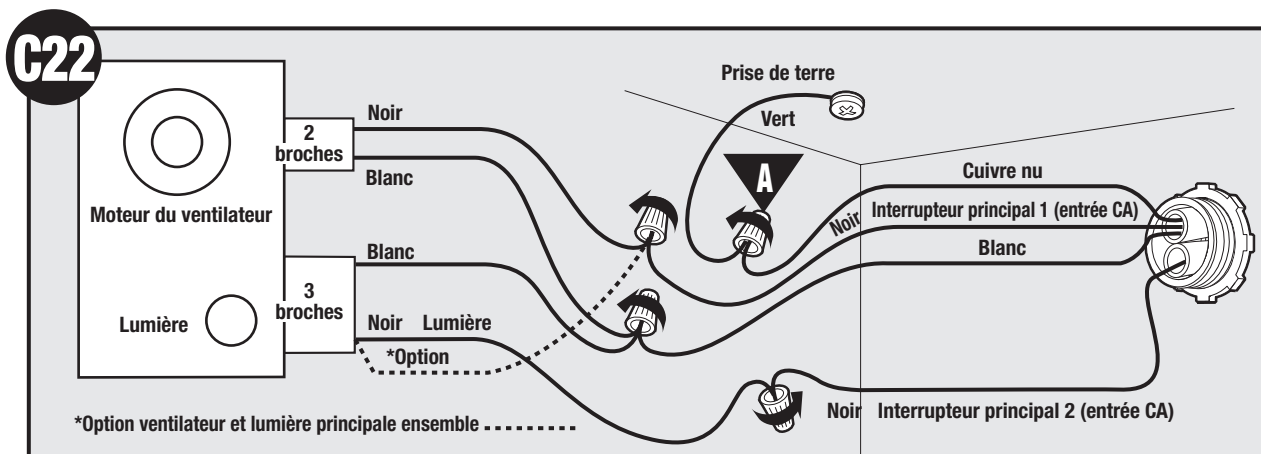
Raccorder la gaine de 4 po et l'évent à l'extérieur. Jointer avec du ruban. Si la gaine n'est pas de la bonne dimension, vous pourriez devoir acheter un adaptateur.



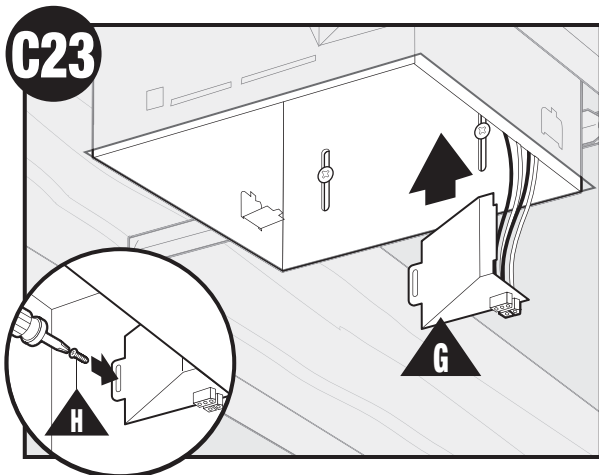
Passer les fils par le raccord.



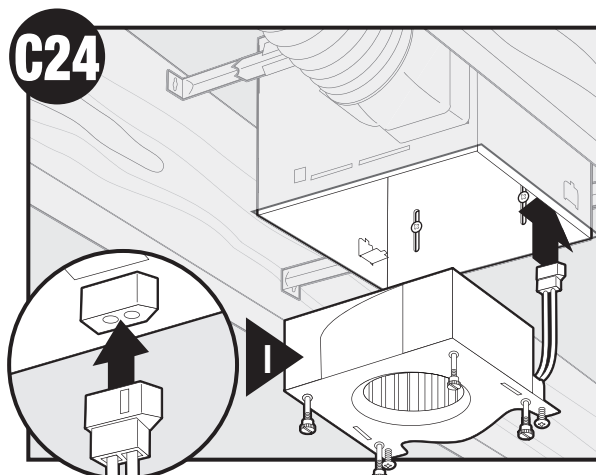
Serrer les vis du raccord.



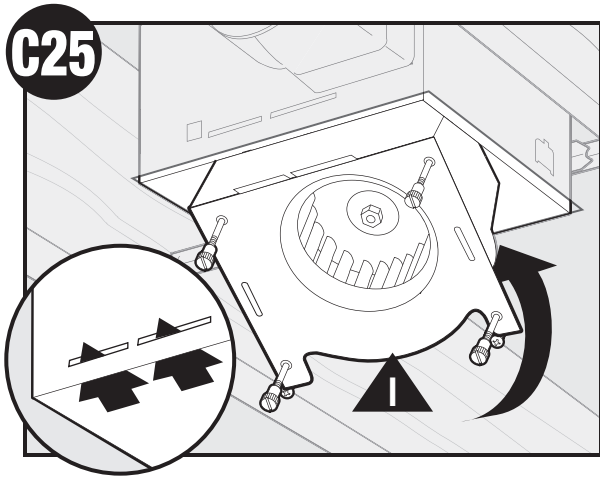
Connecter les fils tel qu'indiqué.



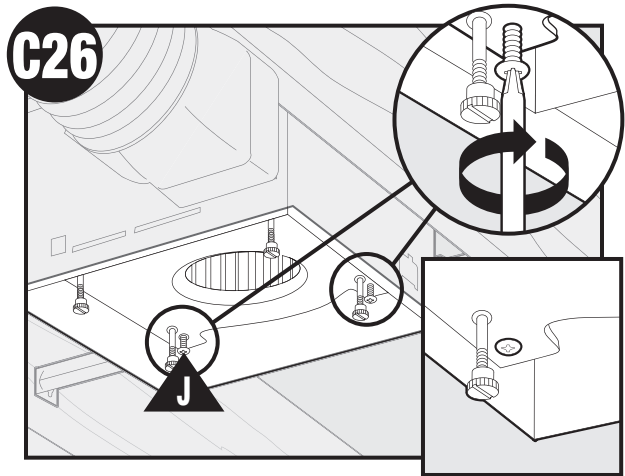
Installer la plaque de couvercle du câblage. Assurez-vous que toutes les connexions de câblage sont dans la boîte ou derrière la plaque de couvercle du câblage.



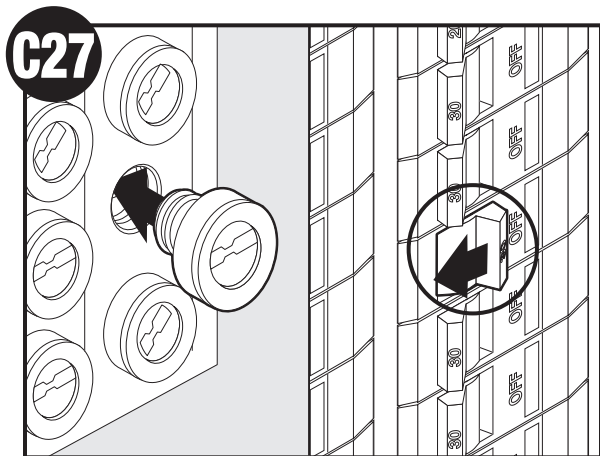
Connecter le câblage. NE LAISSER PAS LE MOTEUR PENDRE PAR LE CÂBLAGE.



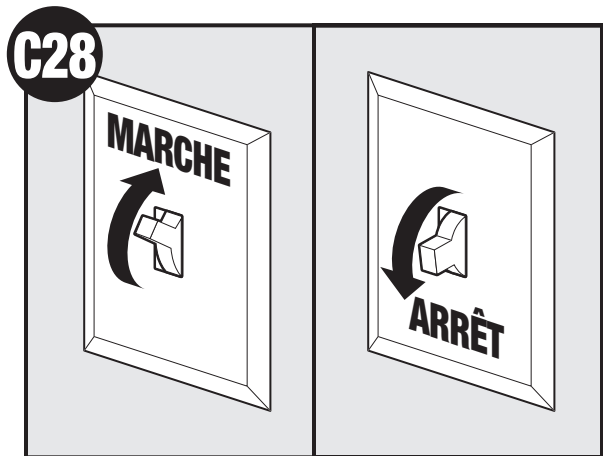
Reposer le moteur en insérant les languettes et en le poussant vers le haut en place. Assurez-vous que les fils n'ont pas été pincés entre le moteur et le boîtier.



Fixer le moteur en serrant les deux vis.



Remettre le courant.



Essayer le moteur. Si le moteur ne fonctionne pas, vérifier la connexion enfichable.

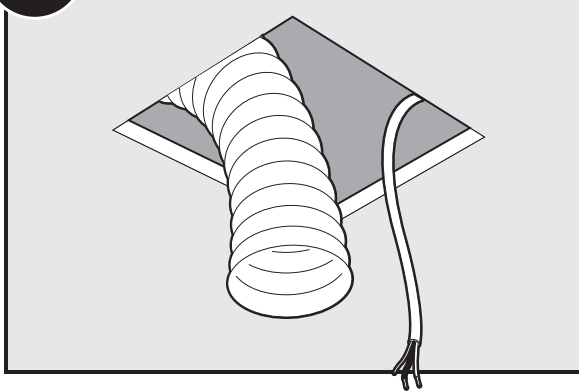
**C29**

Aller à l'étape

**E1**

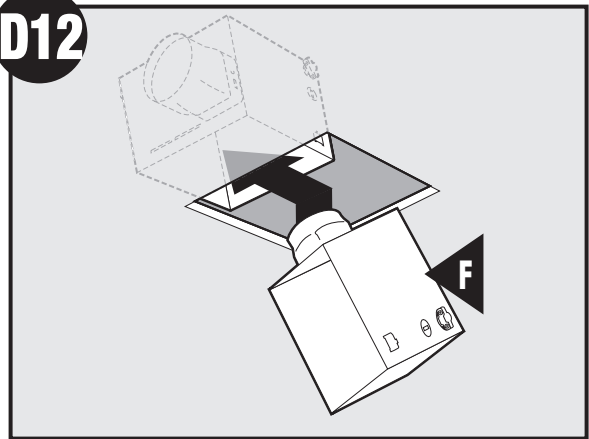
à la page 57  
pour fixer la grille.

### D11 VENTILATEUR EXISTANT



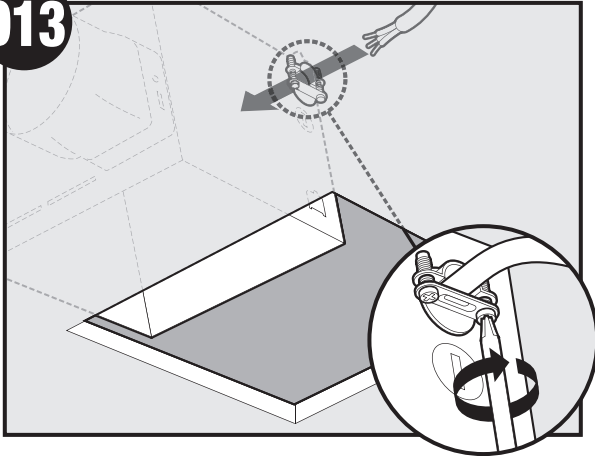
Enlever un ventilateur existant et vérifier que l'ouverture est assez grande pour permettre la pose d'un nouveau boîtier de moteur (203 mm x 216 mm [8 po x 8,5 po]).

### D12



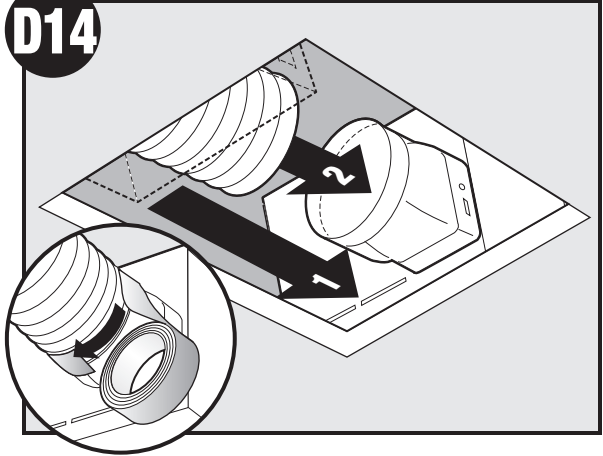
Mettre le boîtier en place au-dessus du plafond.

### D13



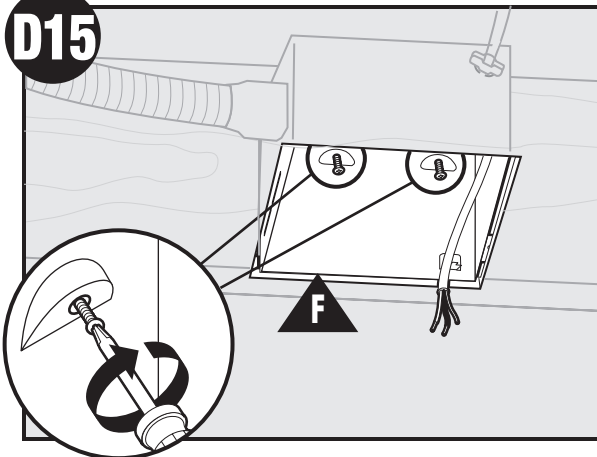
Passer les fils par le raccord.

### D14

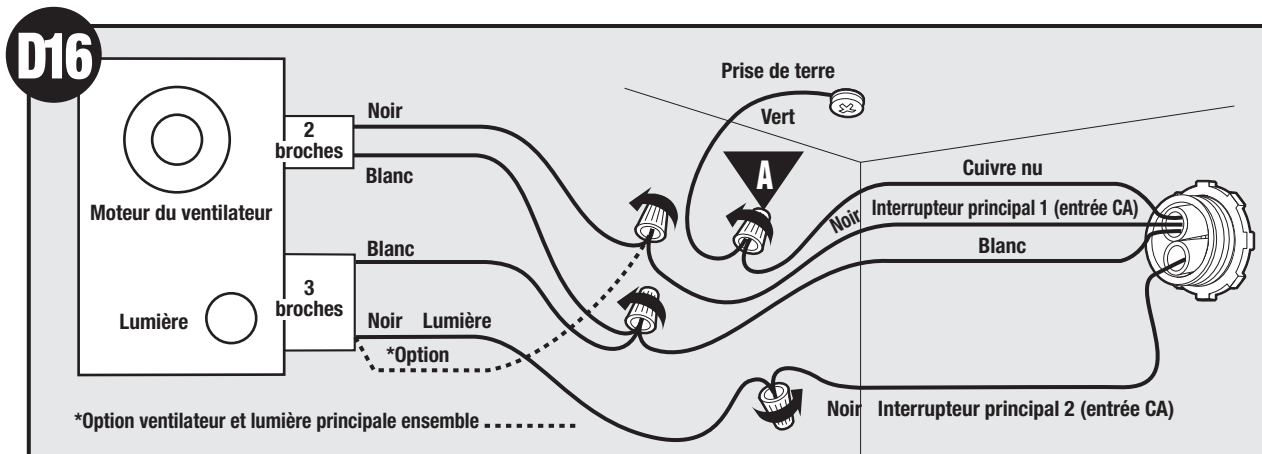


Fixer la gaine existante au connecteur de gaine. Jointer avec du ruban. Si la gaine n'est pas de la bonne dimension, vous pourriez devoir acheter un adaptateur.

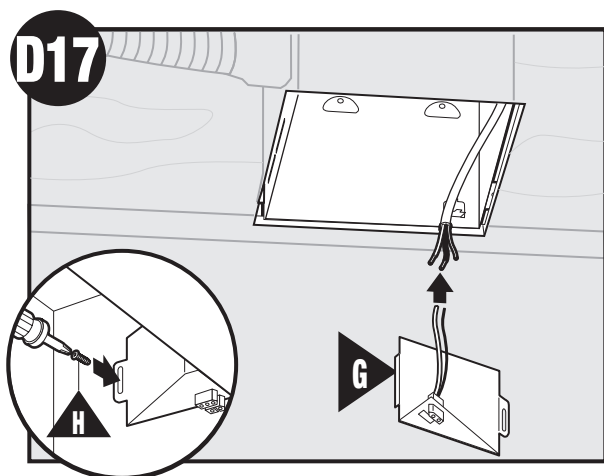
### D15



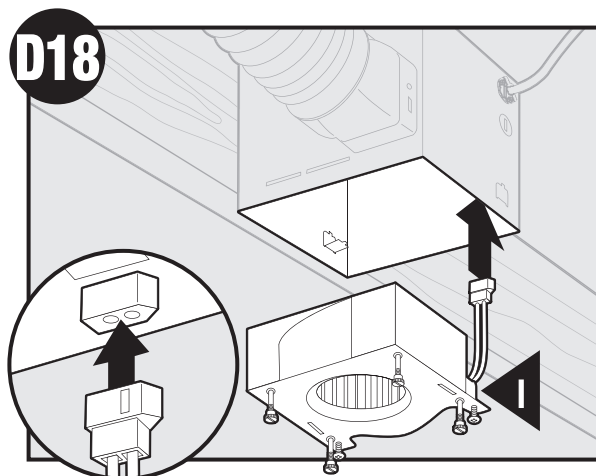
Installer le boîtier affleurant à la plaque de gypse et le fixer en vissant les vis pré-installées dans la solive.



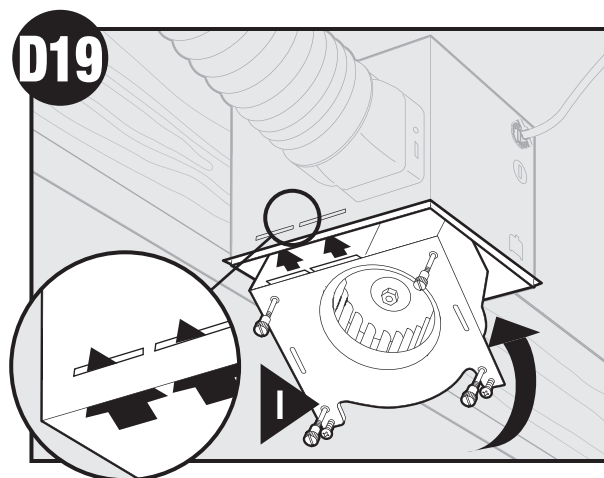
Connecter les fils tel qu'indiqué.



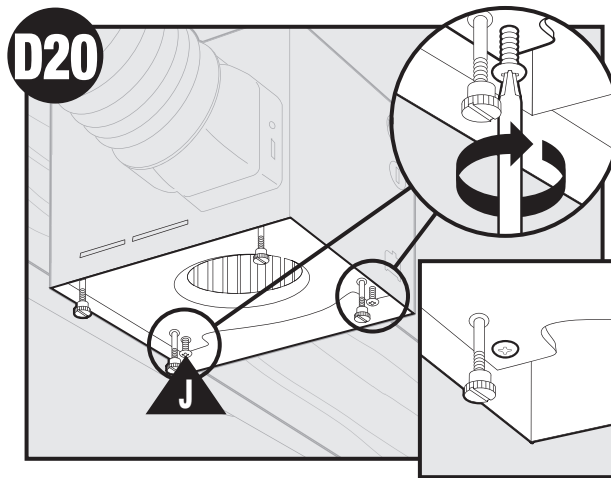
Installer la plaque de couvercle du câblage. Assurez-vous que toutes les connexions de câblage sont dans la boîte ou derrière la plaque de couvercle du câblage.



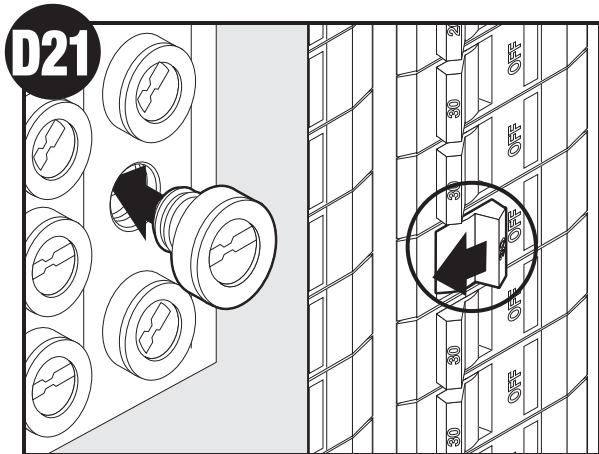
Connecter le câblage. NE LAISSER PAS LE MOTEUR PENDRE PAR LE CÂBLAGE.



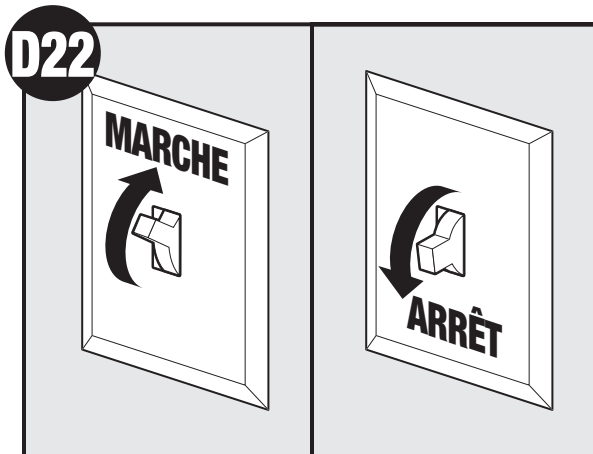
Reposer le moteur en insérant les languettes et en le poussant vers le haut en place. Assurez-vous que les fils n'ont pas été pincés entre le moteur et le boîtier.



Fixer le moteur en serrant les deux vis.



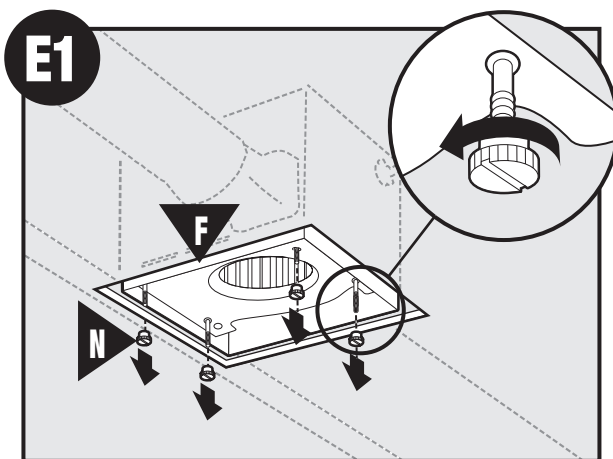
Remettre le courant.



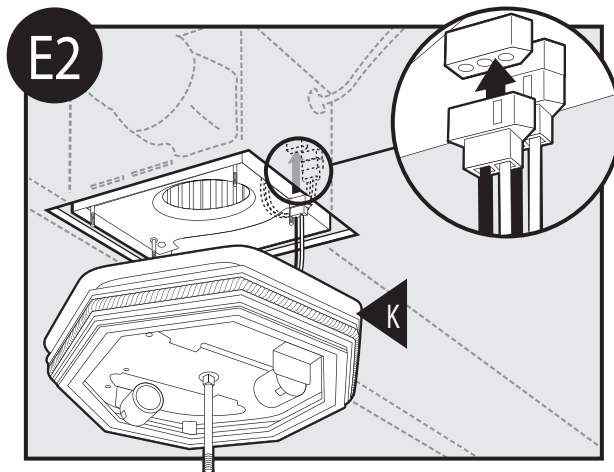
Essayer le moteur. Si le moteur ne fonctionne pas, vérifier la connexion enfichable.

**D23**  
Aller à l'étape  
**E1**  
à la page 57  
pour fixer la grille.

### Fixation de la grille

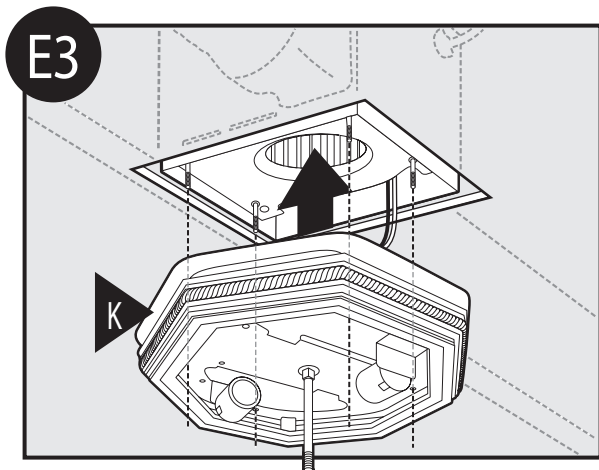


Retirer les vis à serrage à main.

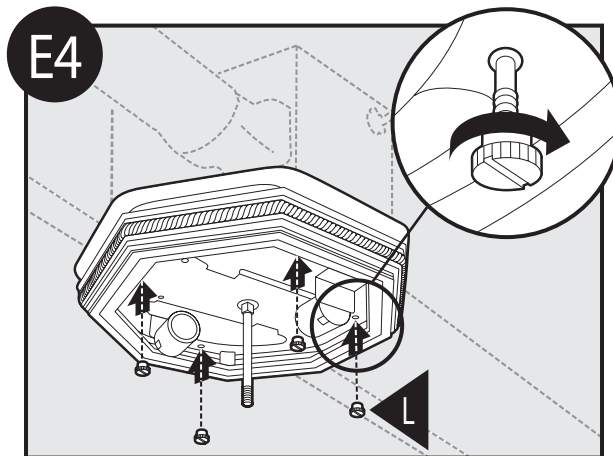


Connecter le câblage. **NE LAISSER PAS LE MOTEUR PENDRE PAR LE CÂBLAGE.**

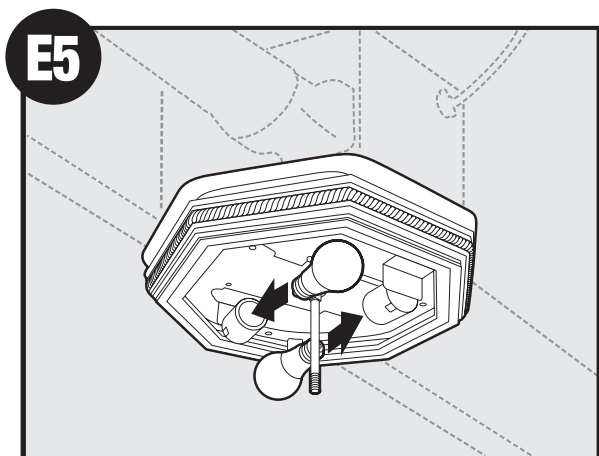




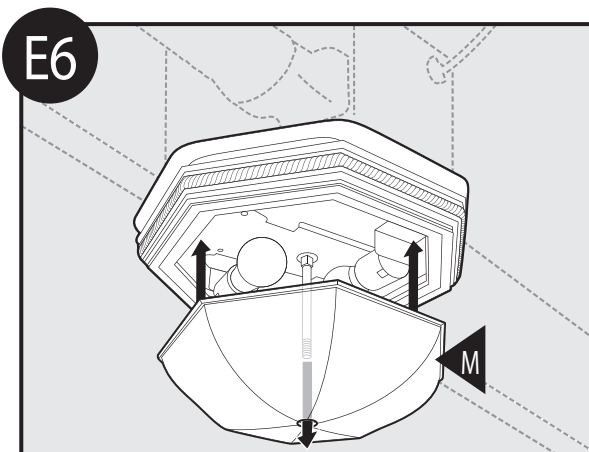
Aligner les tenons A, B, C et D (rivetés au boîtier du moteur) avec les trous A, B, C et D de l'embase du luminaire) Faire glisser l'embase du luminaire sur les tenons.



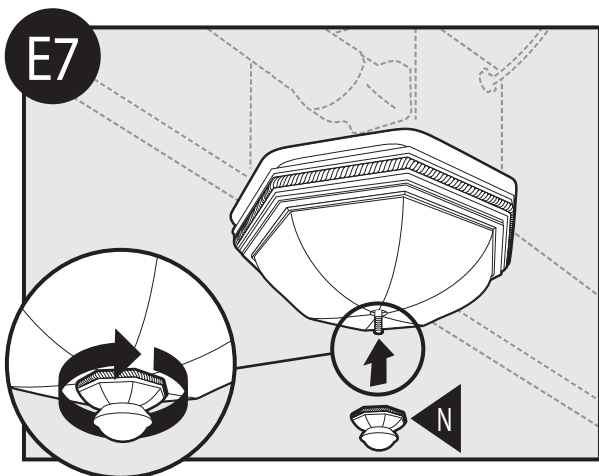
Visser les vis à serrage à main.  
MISE EN GARDE : Pour réduire le risque de choc électrique, les quatre vis à serrage à main DOIVENT être correctement vissées.



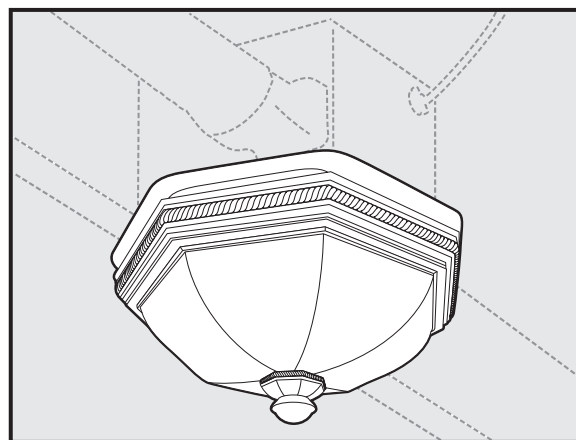
Installer une ampoule fluorescente. (Comprise)



Aligner le globe de verre et pousser vers le haut.



Visser le faiteau en place.



Compléter.

## Dépannage

Problème : Le ventilateur ne fonctionne pas.

Solution :

- Les ventilateurs de salle de bain Hunter sont très silencieux. Pour vérifier que le ventilateur fonctionne, placez votre main près des événements pour sentir le mouvement de l'air.
- Remettre le courant, remplacer le fusible ou réarmer le disjoncteur.
- Vérifier toutes les connexions enfichables pour s'assurer qu'elles sont correctes
- Vérifier le câblage pour s'assurer qu'il correspond au diagramme du circuit.

Problème : La lumière ne fonctionne pas.

Solution :

- Remplacer l'ampoule.
- Remettre le courant, remplacer le fusible ou réarmer le disjoncteur.
- Vérifier toutes les connexions enfichables pour s'assurer qu'elles sont correctes.
- Vérifier le câblage pour s'assurer qu'il correspond au diagramme du circuit.

Problème : Le ventilateur est bruyant

Solution :

- Vérifier et resserrer toutes les pièces de fixation.
- Vérifier que le globe est bien fixé.
- Vérifier que le clapet bouge librement.

Si vous avez besoin de pièces ou d'aide, appelez 888-830-1326 ou rendez-nous visite sur notre site Web au <http://www.hunterfan.com>.

## Garantie

Hunter Fan Company  
Ventilateur de salle de bain  
GARANTIE LIMITÉE

La société Hunter Fan Company, Inc. offre la garantie limitée suivante à l'utilisateur initial ou au client acheteur de ce ventilateur de salle de bain:

Si une pièce quelconque de votre ventilateur de salle de bain Hunter (à l'exception des pièces en verre et des ampoules) fait défaut durant l'année suivant la date de l'achat à cause d'un défaut de matériel ou de main-d'œuvre, nous réparerons ou remplacerons, à notre choix, la pièce défectueuse, sans frais de pièces ou de main-d'œuvre à notre plus proche centre de service ou à notre atelier de service de Memphis au Tennessee. Après cette période d'un an, vous serez responsable pour tous les frais de pièces et de main-d'œuvre pour les réparations du ventilateur de salle de bain, à l'exception des réparations au moteur telles qu'offertes ci-dessous.

Si votre moteur de ventilateur de salle de bain tombe en panne durant les cinq ans suivant la date de votre achat à cause d'un défaut de matériel ou de main-d'œuvre, nous vous offrirons sans frais le travail et les matériaux pour réparer ce défaut à notre plus proche centre de service ou à notre atelier de service de Memphis au Tennessee. Si aucune pièce de rechange ne peut être fournie, nous rembourserons le prix d'achat réel de votre ventilateur de salle de bain ou nous vous en fournirons un, sans frais, en remplacement, à notre choix. Après cette période de cinq ans, vous serez responsable pour tous les frais de pièces et de main-d'œuvre pour les réparations du ventilateur de salle de bain.

SI L'USAGER RÉSIDENTIEL INITIAL OU LE CLIENT ACHETEUR CESSE D'ÊTRE PROPRIÉTAIRE DU VENTILATEUR, CETTE GARANTIE ET TOUT AUTRE GARANTIE IMPLICITE QUI RESTENT ENCORE VALIDES, INCLUANT, MAIS SANS Y ÊTRE LIMITÉE, TOUTE GARANTIE IMPLICITE DE QUALITÉ MARCHANDE OU DE COMPATIBILITÉ À UN USAGE PARTICULIER, SONT ANNULÉES. AUCUNE GARANTIE EXPRESSE OU IMPLICITE, INCLUANT TOUTE GARANTIE IMPLICITE DE LA QUALITÉ MARCHANDE OU DE COMPATIBILITÉ À UN USAGE PARTICULIER, N'EST FAITE À L'ÉGARD DES PIÈCES DE VERRE OU DES AMPOULES OU DU FINI DE TOUTE PARTIE MÉTALLIQUE DU VENTILATEUR.

CETTE GARANTIE TIENT LIEU DE TOUT AUTRE GARANTIE EXPRESSE. LA DURÉE DE TOUTE GARANTIE IMPLICITE, INCLUANT, MAIS SANS Y ÊTRE LIMITÉE, UNE QUELCONQUE GARANTIE IMPLICITE DE QUALITÉ MARCHANDE OU DE COMPATIBILITÉ À UN USAGE PARTICULIER, EST EXPRESSÉMENT LIMITÉE À LA PÉRIODE DE LA GARANTIE EXPRESSE ÉNONCÉE PLUS HAUT POUR LES MOTEURS ET AUTRES PIÈCES.

Cette garantie est nulle si votre ventilateur n'a pas été acheté et installé aux É.-U. ou au Canada. Cette garantie exclue et ne couvre pas les défauts, les mauvais fonctionnements et les pannes d'un ventilateur, dus à des réparations par des personnes auxquelles nous n'avons pas donné d'autorisation, à l'utilisation de pièces ou d'accessoires non autorisés, à un mauvais traitement, à des modifications ou des dommages au ventilateur tandis qu'il était en votre possession, ou à un usage déraisonnable, y compris l'incapacité de fournir un entretien raisonnable et nécessaire.

Pour bénéficier du service, prenez contact avec le centre de service autorisé Hunter le plus proche ou avec l'atelier de service de la société Hunter Fan Company, 2500 Frisco Avenue, Memphis, Tennessee 38114. Veuillez communiquer avec nous au 901-248-2222 avant de nous expédier votre ventilateur de salle de bain. Si nous vous autorisons à faire cet envoi, Vous devrez assumer les frais d'assurance et de transport à notre usine ou à notre centre de service. Nous vous retournerons votre ventilateur de salle de bain Hunter en port prépayé. Votre ventilateur de salle de bain devra être emballé avec soin pour éviter tout dommage durant le transport puisque nous ne pourrions être tenus responsables d'un tel dommage. Une preuve d'achat est exigée pour obtenir un service de garantie. L'acheteur devra présenter une facture ou un autre document qui établit la preuve de l'achat.

EN AUCUN CAS, LA SOCIÉTÉ HUNTER FAN COMPANY NE SERA TENUE RESPONSABLE DES DOMMAGES ACCESSOIRES OU INDIRECTS.

CERTAINS ÉTATS (OU PROVINCES) N'AUTORISENT PAS DE RESTRICTIONS SUR LA DURÉE DE LA GARANTIE IMPLICITE OU SUR L'EXCLUSION OU LA RESTRICTION DES DOMMAGES ACCESSOIRES OU INDIRECTS; PAR CONSÉQUENT, LA RESTRICTION OU LES EXCLUSIONS CI-DESSUS POURRAIENT NE PAS S'APPLIQUER À VOUS.

CETTE GARANTIE VOUS DONNE DES DROITS LÉGAUX SPÉCIFIQUES ET VOUS POURRIEZ ÉGALEMENT AVOIR D'AUTRES DROITS QUI PEUVENT VARIER SELON LES ÉTATS ET LES PROVINCES.