

**For Your Records and
Warranty Assistance**

For reference, also attach your receipt or a copy
of your receipt to the manual.

Model Name

Model No.

Date Purchased

Where Purchased

Type 3 Models

Owner's Guide and Installation Manual

English

Español

Form# 45063-01
20091102
©2009 Hunter Fan Co.

Hunter
SINCE 1886

Welcome

Your new Hunter® ceiling fan is an addition to your home or office that will provide comfort and performance for many years. This installation and operation manual gives you complete instructions for installing and operating your fan.

We are proud of our work. We appreciate the opportunity to supply you with the best ceiling fan available anywhere in the world.

Before installing your fan, for your records and warranty assistance, record information from the carton and Hunter nameplate label (located on the top of the fan motor housing).

Table Of Contents

1 • Getting Ready	6
2 • Installing the Hanger Bracket	7
3 • Assembling the Fan for Ceilings 9 Feet or Higher	8
4 • Setting the Remote Transmitter and Receiver	9
5 • Wiring the Fan	10
6 • Installing the Canopy and Canopy Trim Ring	11
7 • Assembling the Blades	12
8 • Completing Your Installation With a Bowl Light Fixture	13
9 • Operating the Remote Control	16
10 • Assembling the Remote Control and Mounting the Cradle	17
11 • Operating and Cleaning Your Ceiling Fan	18
12 • Troubleshooting	19

Cautions and Warnings

- **READ THIS ENTIRE MANUAL CAREFULLY BEFORE BEGINNING INSTALLATION. SAVE THESE INSTRUCTIONS.**

- Use only Hunter replacement parts.
- To reduce the risk of personal injury, attach the fan directly to the support structure of the building according to these instructions, and use only the hardware supplied.
- To avoid possible electrical shock, before installing your fan, disconnect the power by turning off the circuit breakers to the outlet box and associated wall switch location. If you cannot lock the circuit breakers in the off position, securely fasten a prominent warning device, such as a tag, to the service panel.
- All wiring must be in accordance with national and local electrical codes and ANSI/NFPA 70. If you are unfamiliar with wiring, use a qualified electrician.
- To reduce the risk of personal injury, do not bend the blade attachment system when installing, balancing, or cleaning the fan. Never insert foreign objects between rotating fan blades.
- To reduce the risk of fire, electrical shock, or motor damage, do not use a solid-state speed control with this fan. Use only Hunter speed controls.

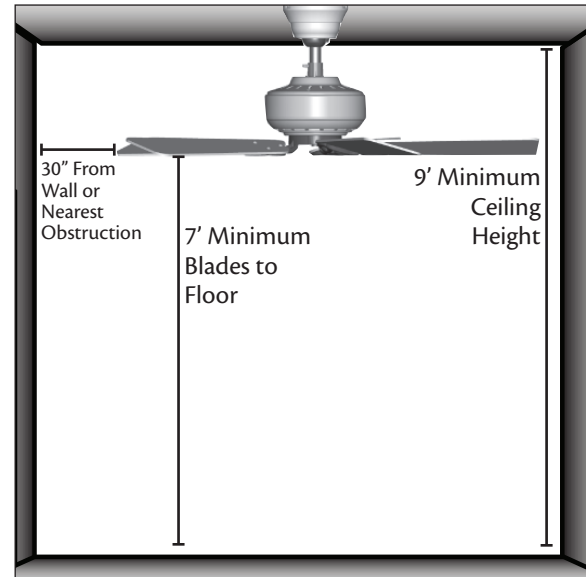
Preparing the Fan Site

Step 1 - Choose the Fan Site

Proper ceiling fan location and attachment to the building structure are essential for safety, reliable operation, maximum efficiency, and energy savings.

Choose a fan site where:

- No object can come in contact with the rotating fan blades during normal operation.
- The fan blades are at least 7 feet above the floor and the ceiling is at least 9 feet high.
- The fan blades have no obstructions to airflow, such as walls or posts, within 30 inches of the fan blade tips.
- The fan is directly below a joist or support brace that will hold the outlet box and the full weight of the fan.



Checklist for Existing Fan Site

If you want to use an existing fan site, complete the following checklist to determine if the site is acceptable and safe for your new Hunter fan. If you cannot check off every item, prepare a new fan site as described on this page.

Fan Support System

- Fan attaches directly to building structure.
- Fan support system will hold full weight of the fan and light kit.

Ceiling Hole

- The outlet box clearance hole is directly below the joist or support brace.

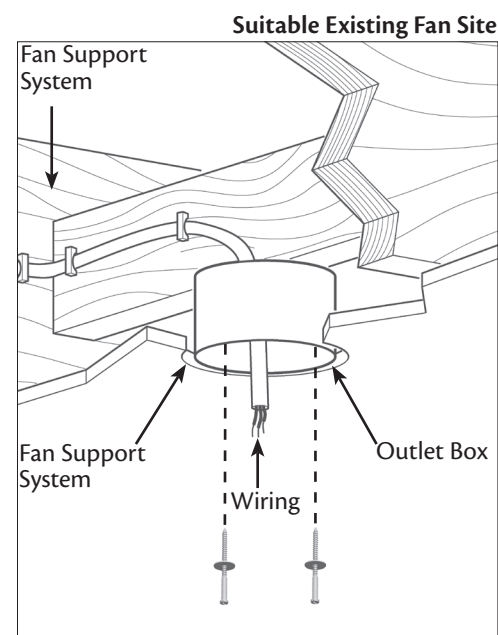
Outlet Box

- The outlet box is an UL-approved octagonal 4" x 1-1/2" outlet box (or as specified by the support brace manufacturer).
- The outlet box is secured to the joist or support brace by wood screws and washers through the inner holes of outlet box.
- The outer holes of the outlet box are aligned with joist or support brace.
- The bottom of the outlet box is recessed a minimum of 1/16" into ceiling.

Wiring

- The electrical cable is secured to outlet box by an approved connector.
- Six inches of lead wires extend from outlet box.

If your existing fan site is suitable, skip ahead to Section 2 • Installing the Hanger Bracket.



Preparing the Fan Site (continued)

Step 2 - Cut the Ceiling Hole

- 2-1. Locate the site for the ceiling hole directly below the joist or support brace that will hold the outlet box and fan.
- 2-2. Cut a 4" diameter hole through the drywall or plaster of the ceiling. You will use the hole to install the support brace and outlet box.

Step 3 - Install a Support Brace, If Necessary

Determine if there is a ceiling joist directly above the ceiling hole. If the joist is there, determine if it is positioned to allow you to recess the outlet box a minimum of 1/16" into the ceiling. If NOT, install a support brace as follows:

- 3-1. Attach a 2" x 4" support brace between two joists. Position it to allow you to recess the bottom of the outlet box a minimum of 1/16" into the ceiling.
- 3-2. Check the support brace to ensure it will support the full weight of the fan and light kit.

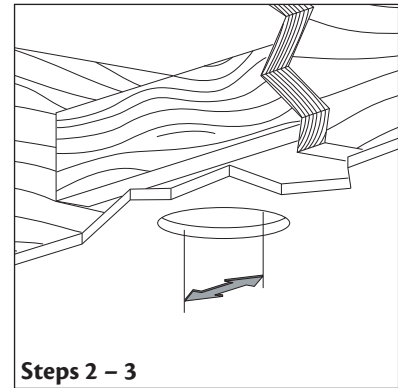
Step 4 - Install the Outlet Box

- 4-1. Obtain a UL-approved octagonal 4" x 1-1/2" outlet box, plus two #8 x 1-1/2" wood screws and washers, available from any hardware store or electrical supply house.
- 4-2. Orient the outlet box so that both the inner and outer holes in the box align with the joist or support brace.
- 4-3. Drill pilot holes no larger than the minor diameter of the wood screws (5/64") through the inner holes of the outlet box.
- 4-4. Attach the outlet box directly to the support brace or joist with two #8 x 1-1/2" wood screws and washers. The bottom of the outlet box must be recessed a minimum of 1/16" into the ceiling.

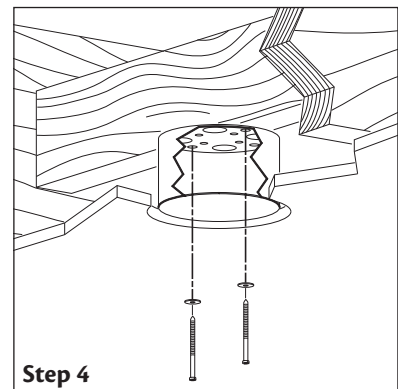
Step 5 - Prepare the Wiring

- 5-1. Make sure the circuit breakers to the fan supply line leads and associated wall switch location are turned off. If you cannot lock the circuit breakers in the off position, securely fasten a prominent warning device, such as a tag, to the service panel.
- 5-2. Thread the fan supply line through the outlet box so that the fan supply line extends at least 6" beyond the box.
- 5-3. Attach the fan supply line to the outlet box with an approved connector, available at any hardware store or electrical supply house.
- 5-4. Make certain the wiring meets all national and local standards and ANSI/NFPA 70.

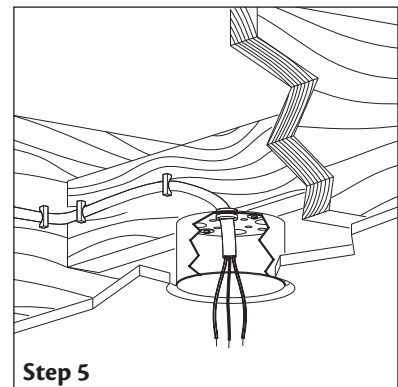
You have now successfully prepared your ceiling fan site. For instructions to install your ceiling fan, go to your fan manual and continue with Section 2 • **Installing the Hanger Bracket.**



Steps 2 – 3



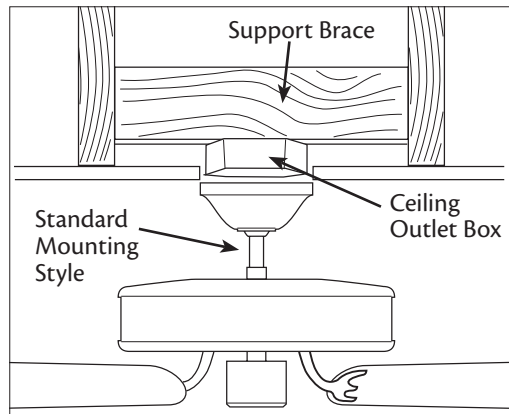
Step 4



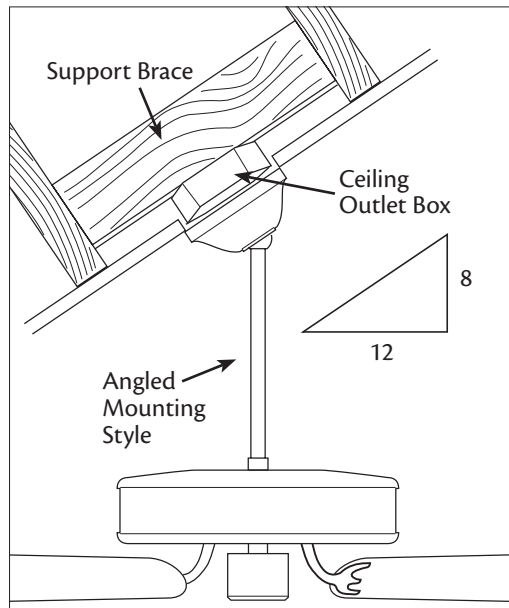
Step 5

▲ CAUTION: All wiring must be in accordance with national and local electrical codes and ANSI/NFPA 70. If you are unfamiliar with wiring, use a qualified electrician.

Installer's Choice and Optional Accessories



Standard Mounting hangs from the ceiling by a downrod (included).



Angled Mounting recommended for a vaulted or angled ceiling

Understanding Mounting and Installer's Choice®

Hunter's patented 2-position mounting system provides you maximum installation flexibility and ease. You can install your Hunter fan in one of two ways, depending on ceiling height and your preference: Standard or Angled mounting. The steps in this manual include instructions for both Installer's Choice mounting methods.

Considering Optional Accessories

Consider using Hunter's optional accessories, including a wall-mounted or remote speed control. To install and use the accessories, follow the instructions included with each product. For quiet and optimum performance of your Hunter fan, use only Hunter speed controls.

▲ CAUTION: To reduce the risk of personal injury, attach the fan directly to the support structure of the building according to these instructions, and use only the hardware supplied.

1 • Getting Ready

To install a ceiling fan, be sure you can do the following:

- Locate the ceiling joist or other suitable support in ceiling.
- Drill holes for and install wood screws.
- Identify and connect electrical wires.
- Lift 40 pounds.

If you need help installing the fan, your Hunter fan dealer can direct you to a licensed installer or electrician.

Gathering the Tools

You will need the following tools for installing the fan:

- Electric drill with 9/64" bit
- Standard screwdriver (magnetic tip recommended)
- Phillips-head screwdriver (magnetic tip recommended)
- Wrench or pliers
- Ladder (height dependent upon installation site)

Checking Your Fan Parts

Carefully unpack your fan to avoid damage to the fan parts. Refer to the included Parts Guide. Check for any shipping damage to the motor or fan blades. If any parts are missing or damaged, contact your Hunter dealer or call Hunter Technical Support Department at 888-830-1326 (In Canada, call 1-866-268-1936).

Preparing the Fan Site

Before you begin installing the fan, follow all the instructions in "Preparing the Fan Site." Proper ceiling fan location and attachment to the building structure are essential for safety, reliable operation, maximum efficiency, and energy savings.

Installing Multiple Fans?

If you are installing more than one fan, keep the fan blades and blade irons (if applicable) in sets, as they were shipped.

2 • Installing the Hanger Bracket

- 2-1. Drill two pilot holes into the wood support structure through the outermost holes in the outlet box. The pilot holes should be $9/64$ " in diameter.

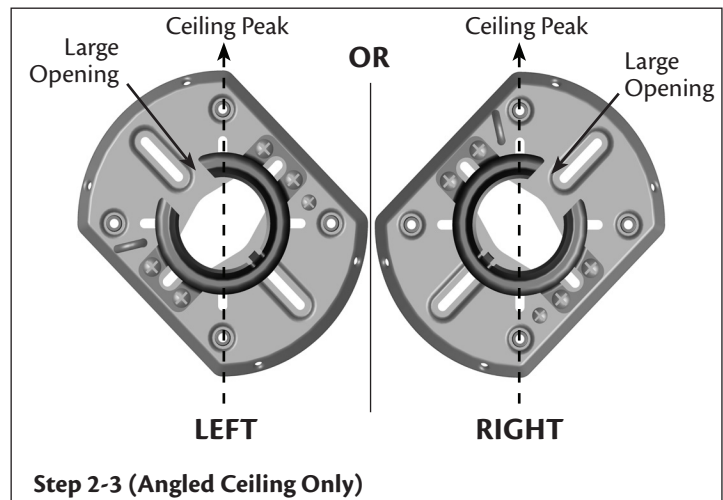
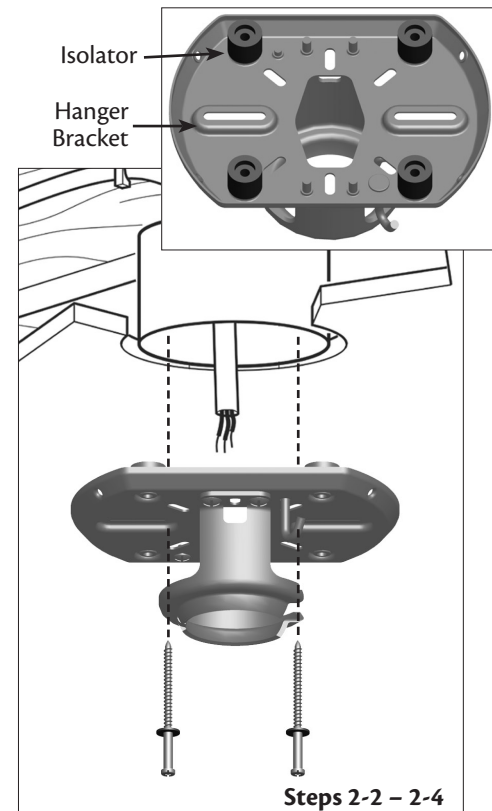
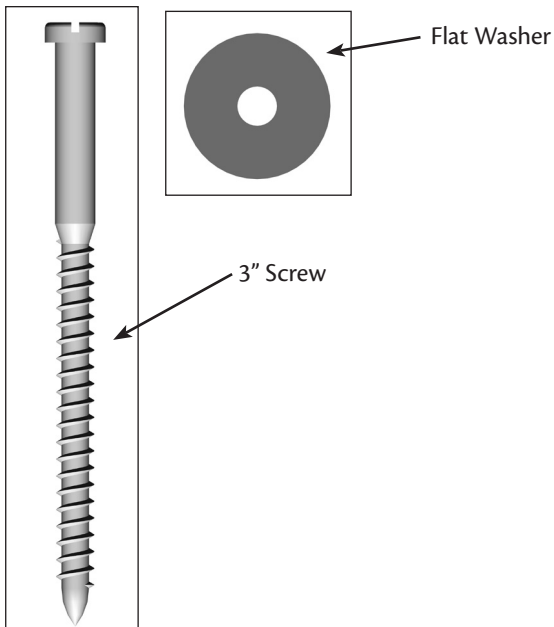
Note: Your fan comes with four pre-installed neoprene noise isolators.

- 2-2. Thread the lead wires from the outlet box down through the hole in the middle of the hanger bracket.
- 2-3. Align the slotted holes in the hanger bracket with the pilot holes you drilled in the wood support structure. For proper alignment use slotted holes directly across from each other. If you are installing the fan on an **ANGLED** ceiling, be sure to orient the hanger bracket as shown in Illustration 2-3 (left or right view).

Note: The isolators should be flush against the ceiling.

- 2-4. Place a flat washer on each of the two 3" screws and pass the screws through the slotted holes in the hanger bracket into the pilot holes you drilled.

Tighten the screws into the $9/64$ " pilot holes; do not use lubricants on the screws. Do not over tighten.

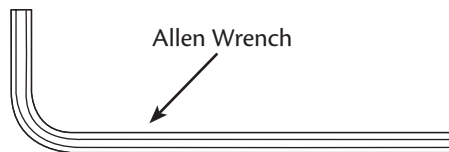


3 • Assembling the Fan for Ceilings 9 Feet or Higher

You can assemble your fan for **standard** or **angled** mounting as shown in steps 3-1 – 3-6.

- 3-1. Unbundle the wires from the fan and remove the paper caution tag. Do not discard the tag until your installation is complete.
- 3-2. To assemble fan to hang down from a flat or angled ceiling, insert the downrod through the canopy, adapter cover grommet, adapter cover, and canopy trim ring. (The adapter cover and adapter cover grommet may already be attached to make one piece.) Feed the wires from the fan through the downrod.
Note: Make sure all the wires are on the same side of the metal dowel pin inside the dowrod.

- 3-3. Using the provided Allen wrench, loosen the setscrew on the adapter to install the pipe and ball assembly. **Note:** When the pipe and ball assembly is fully installed, 2-3 threads on the pipe will still be visible; this is normal. Use the Allen wrench to securely retighten the setscrew.



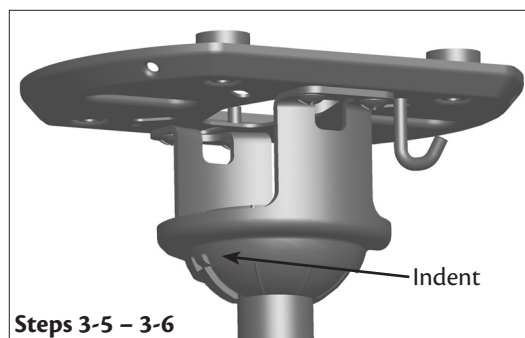
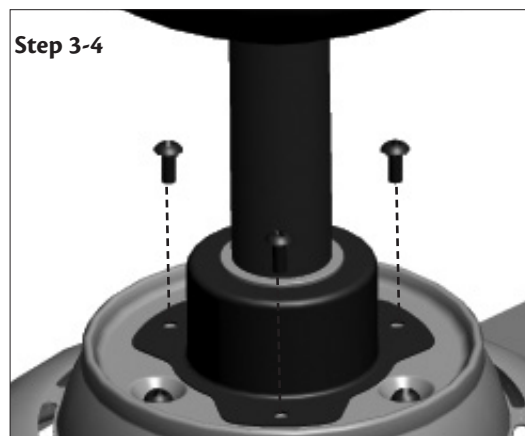
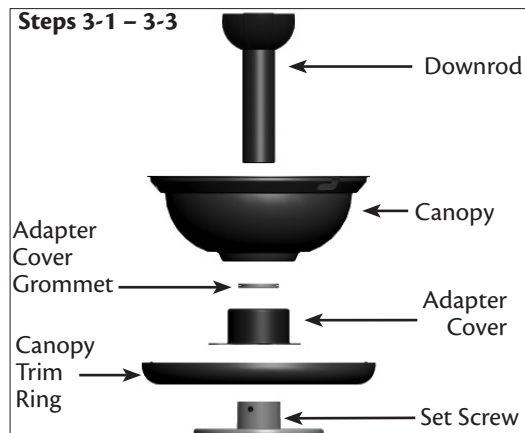
⚠ CAUTION: The adapter has a special coating on the threads. Do not remove this coating; the coating prevents the downrod from unscrewing. Once assembled, do not remove the downrod.

⚠ WARNING: Do not carry or lift fan by canopy.

- 3-4. Attach the adapter cover to the top of the fan housing using a short screwdriver and install three (3) assembly screws and tighten them securely.
- 3-5. Raise the fan and place the ball into the hanger bracket.
- 3-6. Align the notch on the ball with the indent in the hanger bracket. (Rotate the fan until you hear the notch pop into place.)

Go to **4 • Setting the Remote Transmitter and Receiver**

⚠ WARNING: Fan may fall if not assembled as directed in these installation instructions.

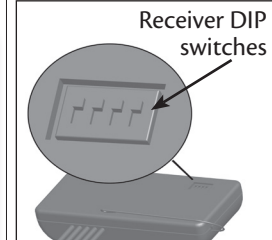
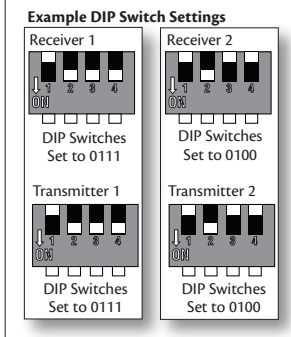


4 • Setting the Remote Transmitter and Receiver

Setting DIP switches and Jumpers

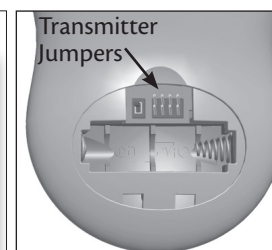
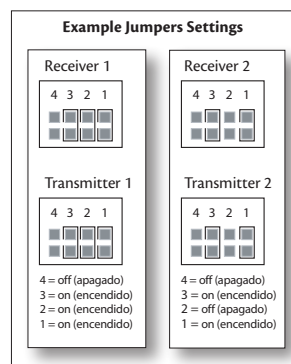
When two or more fans are located near each other, you may desire to have the receiver/transmitter for each fan set to a different code, so that the operation of one fan does not affect the operation of the other fans.

The DIP switches for the receiver are located on the flat surface of the receiver. The Jumpers for the transmitter are in the the battery compartment.



- 4-1. **IMPORTANT!** Before you change the Jumper settings, make sure the battery is not connected to the transmitter.

Change the position of the jumpers in the transmitter and the DIP switches in the receiver. Be sure the position of the jumper in the transmitter matches the position of the DIP switches in the receiver. If they don't match, the controller will not function. For instructions on how to set the jumpers, read the box below.



Note: This fan contains a dimmable CFL bulb. For dimming operation, the CFL toggle switch must be in the up position.

- 4-2. There is a toggle switch beside the jumpers on the transmitter. Move the toggle switch toward the side that reads "CFL" if you are going to operate the fan with CFL bulbs. Move the switch up if you are going to use incandescent bulbs.
- 4-3. Install the included 12-volt battery into the transmitter.

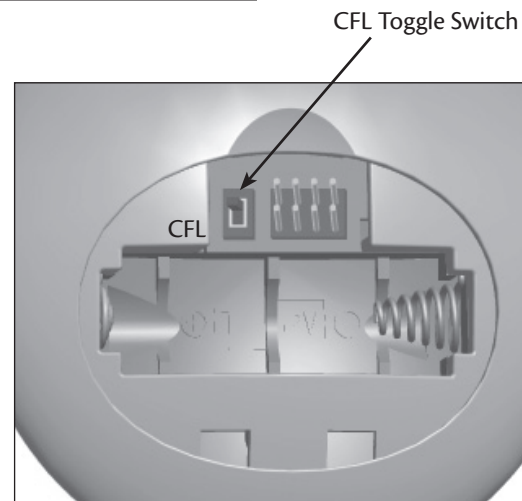
CAUTION: The remote control device complies with part 15 of the FCC rules. Changes or modifications not expressly approved by Hunter Fan Company could void your authority to operate this equipment.

Operation is subject to the following two conditions:

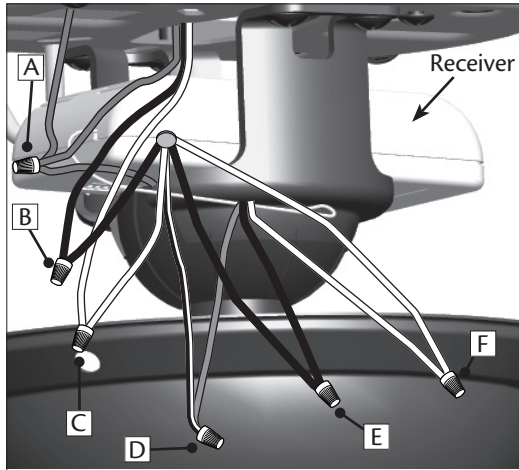
1. This device may not cause harmful interference.
2. This device must accept any interference received, including interference that may cause undesired operation.

Note: Use with a fan that incorporates an air gap switch (normal on-off wall switch).

WARNING: Maximum fan load is 1 Amp; maximum lamp is 100 Watts. Do not use any speed control with this product.



5 • Wiring the Fan



Step 5-3

- A • Ground/Green

Step 5-4

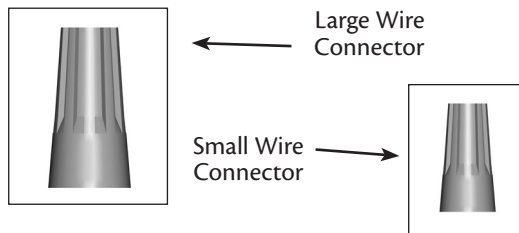
- B • Ceiling Black
• Receiver Black: "LIVE IN"
C • Ceiling White
• Receiver White: "NEUTRAL IN"

Step 5-5

- D • Fan Black/White
• Receiver Red: "LIGHT OUT"
E • Fan Black
• Receiver Black: "FAN OUT"
F • Receiver White: "COMMON OUT"
• Fan White

Steps 5-3 – 5-5

All wiring must be in accordance with national and local electrical codes and ANSI/NFPA 70. If you are unfamiliar with wiring, use a qualified electrician.



- 5-1. Before attempting installation, make sure the power is still off.
- 5-2. To connect the wires, hold the bare metal leads together and place a wire connector over them, then twist clockwise until tight. For all these connections use the wire connectors provided.

⚠ CAUTION: Be sure no bare wire or wire strands are visible after making connections.

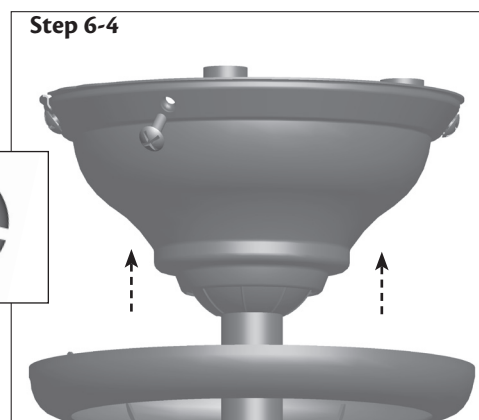
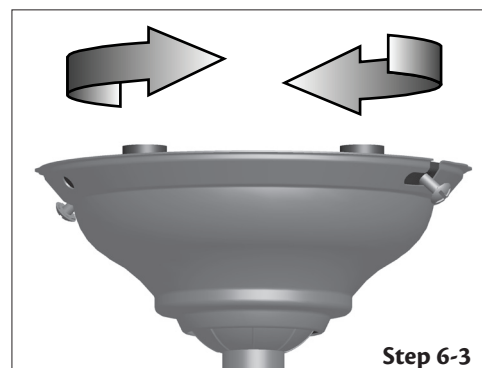
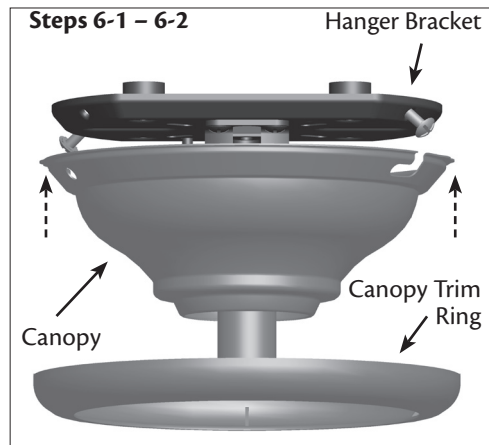
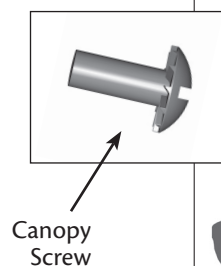
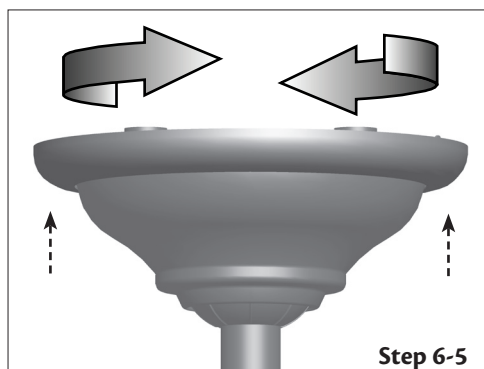
- 5-3. Using a large wire connector, connect the ground wire from the ceiling to the green wire from the ceiling plate and the green ground wire from the downrod.
- 5-4. Using the large wire connectors, connect the white wire and the black wire from the ceiling as follows:
 - The white (common) power wire from the ceiling to the white wire from the receiver (marked on red tag "NEUTRAL IN")
 - The black power wire from the ceiling to the black wire from the receiver (marked on red tag "LIVE IN")
- 5-5. Using the small wire connectors, connect the wires from the fan as follows:
 - The black/white wire from the fan to the red wire from the receiver (marked on white tag "LIGHT OUT")
 - The black wire from the fan to the black wire from the receiver (marked on white tag "FAN OUT")
 - The white wire from the fan to the white wire from the receiver (marked on white tag "COMMON OUT")
- 5-6. Check each connection to make sure no bare wire or wire strands are visible. Turn the splices upward and push them carefully back through the ceiling plate into the outlet box.
- 5-7. Spread the wires apart, with the ground wires on one side of the outlet box and the ungrounded wires on the other side of the outlet box.
- 5-8. Position the receiver in the canopy so that the antenna is close to the edge of the ceiling plate for clear reception.

6 • Installing the Canopy and Canopy Trim Ring

- 6-1. Partially install two canopy screws (about 2 full turns) in the hanger bracket.
- 6-2. Raise the canopy over the hanger bracket. Align partially installed screws with key slots in canopy.
- 6-3. Twist canopy clockwise to secure.
- 6-4. Install third & fourth canopy screw in round hole on canopy. Securely tighten all four screws.
- 6-5. Using both hands, push the canopy trim ring up to the top of the canopy.
- 6-6. Twist canopy trim ring clockwise to secure the canopy.

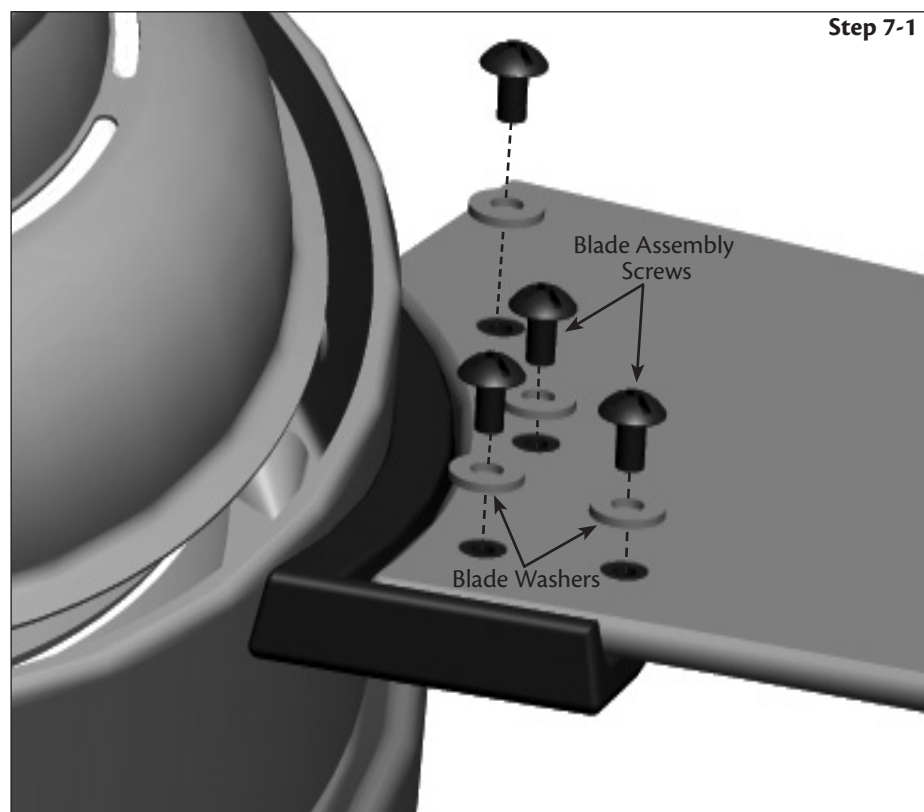
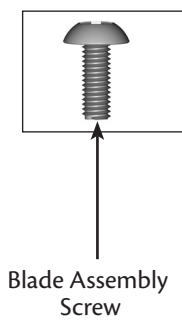
Should you need to remove the canopy trim ring, follow these steps:

1. Twist canopy trim ring counter clockwise until it releases from canopy.



7 • Assembling the Blades

7-1. Attach each blade to a blade iron using four blade washers and four blade assembly screws.



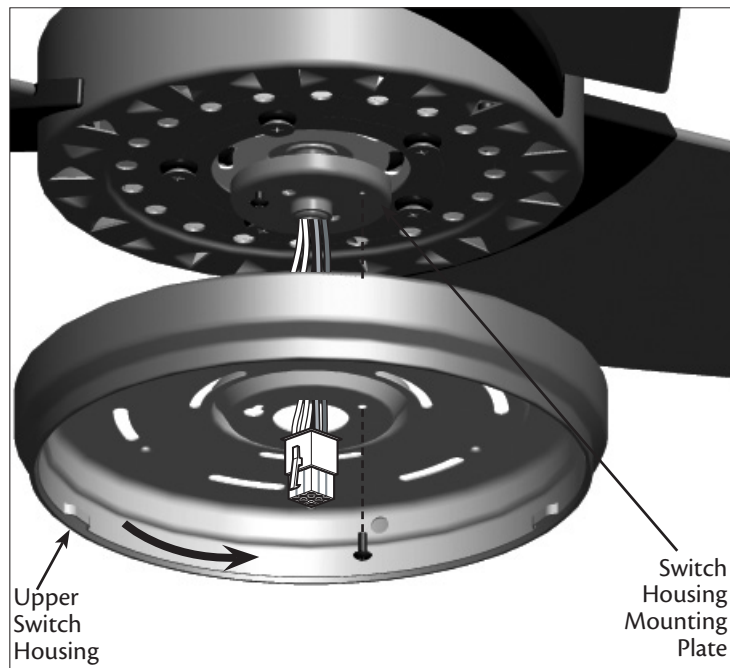
8 • Completing Your Installation With a Bowl Light Fixture

Your Hunter fan comes with an integrated light fixture assembly.

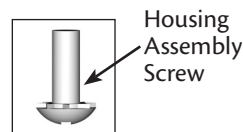
▲ WARNING: Use only the light fixture supplied with this fan model.

- 8-1. To attach the upper switch housing, partially install two housing assembly screws into the switch housing mounting plate.
- 8-2. Feed the upper plug connector through the center opening of the housing.
- 8-3. Align the keyhole slots in the housing with the housing assembly screws.
- 8-4. Turn the upper switch housing counter clockwise until the housing assembly screws are firmly situated in the narrow end of the keyhole slots. Install the remaining screw into the housing. Tighten all three screws firmly.

▲ CAUTION: Make sure the upper switch housing is securely attached to the switch housing mounting plate. Failure to properly attach and tighten all three assembly screws could result in the switch housing and light fixture falling.



Steps 8-1 – 8-4

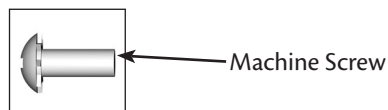
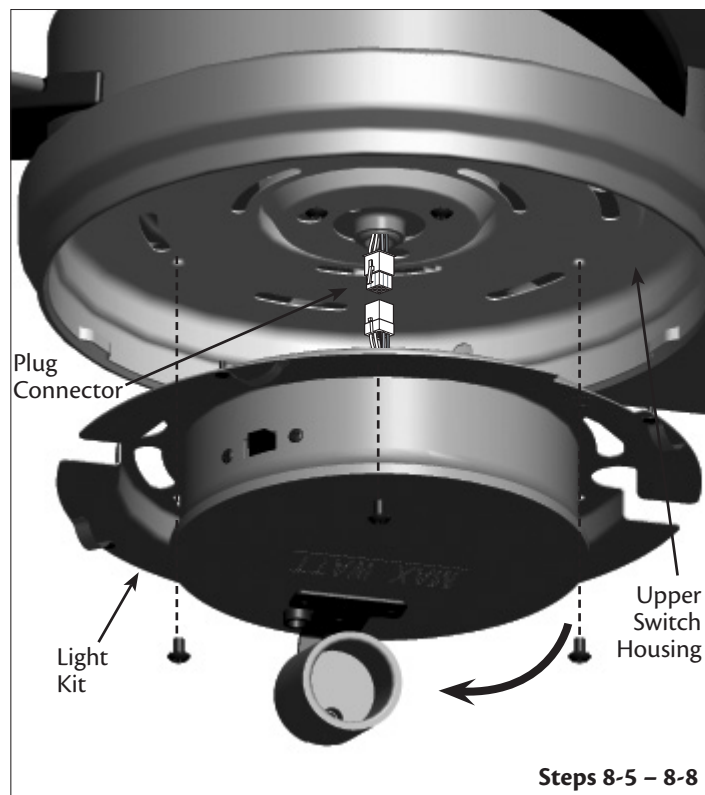


8 • Completing Your Installation With a Bowl Light Fixture (Continued)

- 8-5. To attach the light kit, partially install two machine screws into the upper switch housing.
- 8-6. Connect the upper plug connector from the motor to the lower plug connector in the light kit.

Note: Both plug connectors are polarized and will only fit together one way. Make sure the connectors are properly aligned before connecting them. Incorrect connection could cause improper operation and damage to the product.

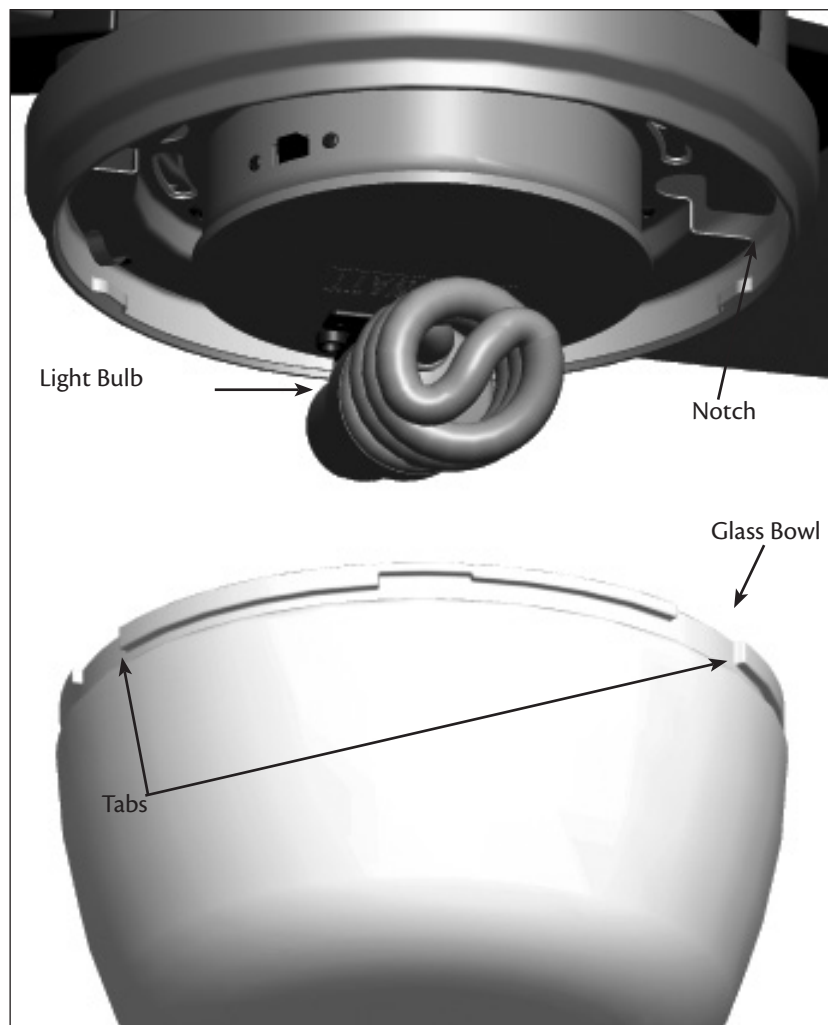
- 8-7. Align the keyhole slots in the light kit housing with the housing assembly screws. Make sure all the wires from the fan and the light kit are snug inside the center of the light kit, not pinched in between the upper switch housing and the light kit or hanging out of the sides.
- 8-8. Turn the light kit clockwise until the housing assembly screws are firmly situated in the narrow end of the keyhole slots. Install the remaining screw into the housing. Tighten all three screws firmly.



8 • Completing Your Installation With a Bowl Light Fixture (Continued)

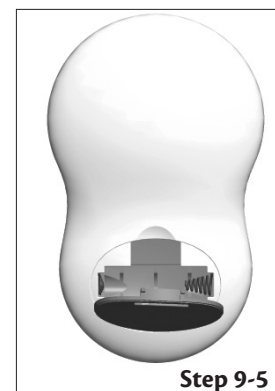
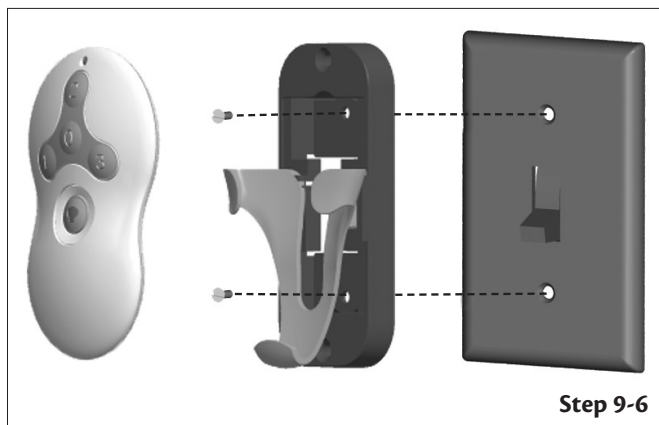
Installing the Glass Bowl

- 8-9. Install included 20 Watt Dimmable CFL bulb into the socket.
- 8-10. Align the notches in the glass bowl with the tabs in the light kit.
- 8-11. Attach the glass bowl to the light kit by twisting it counterclockwise until it snaps into place.



9 • Operating the Remote Control

- 9-1. The remote transmitter has four numerical buttons:
- 0 = Off
 - 1 = Low speed
 - 2 = Medium speed
 - 3 = High speed
- 9-2. For best operation, start the fan by pressing 3 (high), and then select your desired speed.
- 9-3. The light button turns the light on to full brightness. To dim the light, hold the light button down until you reach your desired brightness. Push the light button again to turn off the light.
- 9-4. Press the 0 button to turn the fan off.
- 9-5. When necessary, replace the battery with a 12-volt type 23A, MN-21 battery or equivalent. The battery compartment is on the back.
- 9-6. You can mount the remote holder to any toggle switch plate with the screws already in the switch plate. Or, you can simply mount the remote holder on the wall.



10 • Assembling the Remote Control and Mounting the Cradle

10-1. To install the battery, remove the back cover of the remote.

Insert the included 12-volt alkaline battery (Type 23A, MN-21 or equivalent) inside the remote, matching polarity on the battery as indicated by the + and - symbols in the battery compartment. Replace the cover.

If you are using more than one remote controlled fan in the same area and want to control them separately, you must change the jumper settings in the remote before you install the battery.

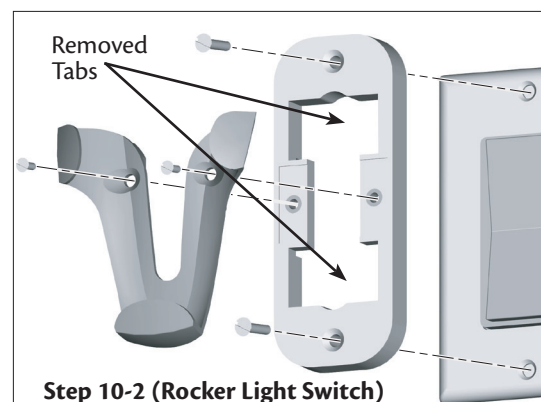
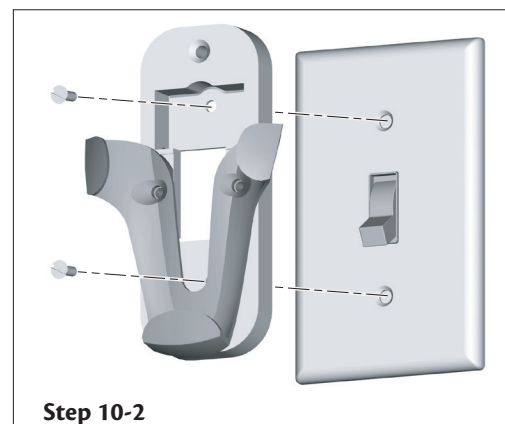
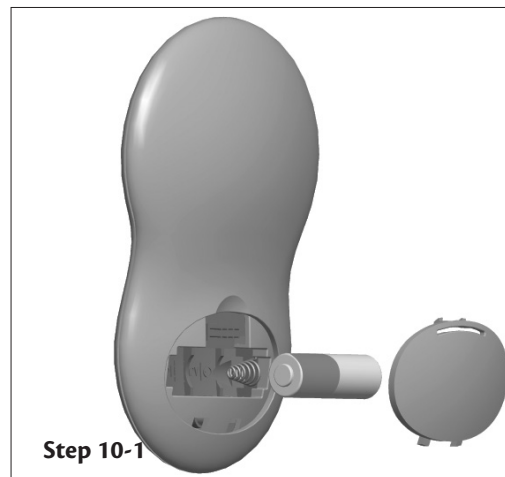
10-2. **To install the remote cradle on a switch plate,** remove the two screws holding the switch cover plate. Do not remove the cover plate.

Note: If you are installing the remote cradle on a rocker light switch, first break off the two tabs by pushing outward.

Orient the control cradle by lining up the two mounting holes with those on the switch. Insert and tighten the screws (do not over tighten).

10-3. **To install the remote cradle on the wall,** locate a 2 x 4 wall stud in a convenient location. Orient the remote cradle over the 2 x 4 stud. Use 1" wood screws in either the inner or outer mounting holes.

Wall anchors and 6-32 x 1" screws may be used in situations where mounting to a stud is not possible. Use the inner mounting holes.



▲ CAUTION: The remote control device complies with part 15 of the FCC rules. Changes or modifications not expressly approved by Hunter Fan Company could void your authority to operate this equipment.

Operation is subject to the following two conditions:

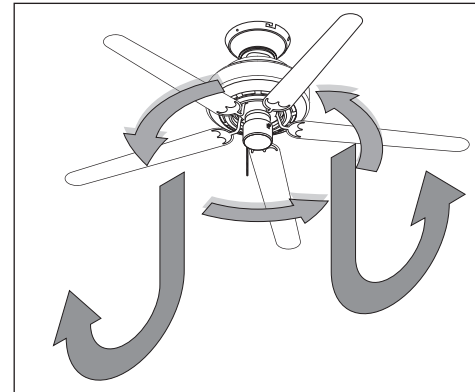
1. This device may not cause harmful interference.
2. This device must accept any interference received, including interference that may cause undesired operation.

Note: Use with a fan that incorporates an air gap switch (normal on-off wall switch).

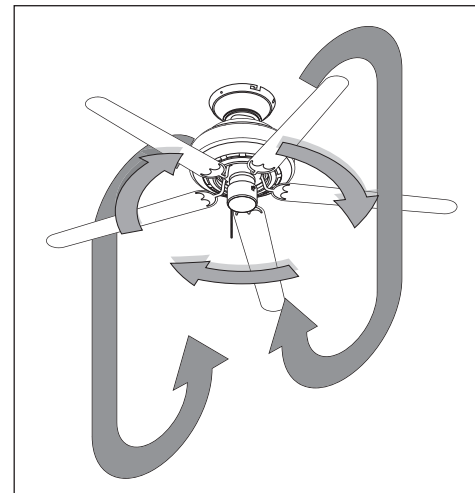
▲ WARNING: Maximum fan load is 100 Watts; maximum lamp is 300 Watts. Do not use any speed control with this product.

11 • Operating and Cleaning Your Ceiling Fan

- 11-1. Turn on electrical power to the fan.
- 11-2. The remote controls power to the fan. The fan has four settings in sequence: High, Medium, Low and Off.
- 11-3. Ceiling fans work best by blowing air downward (counterclockwise blade rotation) in warm weather to cool the room with a direct breeze. In winter, having the fan draw air upward (clockwise blade rotation) will distribute the warmer air trapped at the ceiling around the room without causing a draft.
- 11-4. For cleaning finishes, use a soft brush or lint-free cloth to prevent scratching. A vacuum cleaner brush nozzle can remove heavier dust. Remove surface smudges or accumulated dirt and dust using a mild detergent and a slightly dampened cloth. You may use an artistic agent, but never abrasive cleaning agents as they will damage the finish.
- 11-5. Clean wood finish blades with a furniture polishing cloth. Occasionally, apply a light coat of furniture polish for added protection and beauty. Clean painted and high-gloss blades in the same manner as the fan finish.



In warm weather, use downward air flow pattern

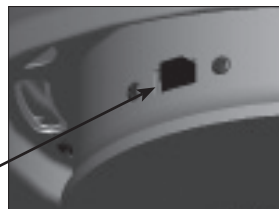


In cold weather, use upward air flow pattern

To Change Airflow Direction

Turn the fan off and let it come to a complete stop. Remove the glass bowl. Slide the reversing switch on the fan to the opposite position. Reinstall the glass bowl. Restart fan.

Reversing
Switch



12 • Troubleshooting

Problem: Nothing happens; fan does not move.

1. Turn power on, replace fuse, or reset breaker.
2. Loosen canopy, check all connections according to the wiring the fan section.
3. Check the plug connection in the switch housing.
4. Push motor reversing switch firmly left or right to ensure that the switch is engaged.

Problem: Noisy operation.

1. Tighten the blade assembly screws and blade iron armature screws until snug.
2. Check to see if the blade is cracked. If so, replace all the blades.

Problem: Excessive wobbling.

1. If your fan wobbles when operating, use the enclosed balancing kit and instructions to balance the fan.
2. Tighten all blade iron screws.
3. Turn power off, support fan very carefully, and check that the hanger ball is properly seated.

Problem: Lights dim when turned on or do not turn on

1. Check to make sure wattage of light bulbs installed match the specifications on the light socket.

If you need parts or service assistance, please call 888-830-1326 (In Canada, call 1-866-268-1936) or visit us at our Web site at <http://www.hunterfan.com>.

Hunter Fan Company
7130 Goodlett Farms Pkwy. #400
Memphis, Tennessee 38016