

**INSTRUCTIONS PERTAINING TO A RISK OF FIRE, OR INJURY
IMPORTANT SAFETY INSTRUCTIONS**

- Read all instructions.
- All installations should comply with the national and local electrical codes. If you have any doubts concerning the installations contact a qualified, licensed electrician.
- Do not install lighting system in a damp or wet location.
- Do not install any luminaire assembly closer than 6" [152.5 mm] from any curtain, or similar combustible material.
- Turn off electrical power before modifying the lighting system in any way.
- To reduce the risk of overheating and the potential fire risk, make sure all connections are tight.
- Before energizing, make sure the light system is clear of all materials which could cause a direct short and check all electrical connections to make sure they are secure.
- The system is to be used only with lamp holders identified for use with Kichler® Linear System.

SAVE THESE INSTRUCTIONS

**INSTALLATION OF KICHLER® SPLICING BOX WITH ENCLOSURE
CP122417BK, CP122416WH, 10254BK or 10254WH**

- The Kichler® splicing box connector is a UL Recognized component and must be installed inside a Listed enclosure. FAILURE TO INSTALL SPLICING BOX CONNECTOR IN A LISTED ENCLOSURE VOIDS ALL WARRANTIES.
- The Kichler® splicing box is suitable for use with Kichler® 10 gauge stranded wire (see chart below) and or 10/2 AWG non-metallic sheathed cable with or without ground.
- The splicing box connector is for use only with low voltage, 12 – 24 volts, 25 amps maximum.
- Hold enclosure base in desired mounting location and mark the position of the keyholes. Remove the enclosure from the mounting surface and install the included screws on the marked locations. Do not fully tighten the screws at this time.
- Remove the necessary knock-out(s) and secure recognized strain-reliefs to the enclosure base. **NOTE:** Strain reliefs are not included with this product. It is the responsibility of the installer to provide ½" trade size connectors that are suitable for use with 10/2 NM cable or 10AWG SPT wire.
- Slide the enclosure over the installed screws and tighten securely.
- Insert the cables through the strain relief, leaving extra wire to work with inside the enclosure. **NOTE:** Do not install more than two, 10AWG Kichler® low voltage cable (SPT) or two 10/2 NM cable or any combination thereof into a single strain relief. When using NM conductor with ground, the ground is not used or required for use with a low voltage system like Kichler® Linear Lighting and can be cut off at the exit of the strain relief inside the connector.
- Use only one conductor per opening on the splicing box connector. **NOTE:** The splicing box body is marked with either a circle or a square on the surface adjacent to the conductor openings. (See Figure 1.) Connections of equal polarities must consistently use the same markings. For example, all positives "+" use the circles. DO NOT PLACE OPPOSITE POLARITIES together in the circle position and/or OPPOSITE POLARITIES together in the square position. Although it is not necessary, it is good practice to keep the polarity signs consistent when using multiple splicing box connectors within a single system.
- Strip wire insulation back 5/16" [8 mm] and insert stripped wire into the conductor holes.
- Torque conductor screws to 15 inch - pounds.
 - 1) The Kichler® splicing box may be used to connect any of the above wire gauges to each other or as a tap to branch off of the main low voltage power supply or as a splice to continue the run of same cable.
 - 2) Up to three branches, using one feeder, may be made from one Splicing Box.
- Remove the slack from all strain relief connections and place the splicing box connector within the enclosure. Tighten the strain reliefs per the manufacturer's instructions.
- Attach the snap on enclosure cover.

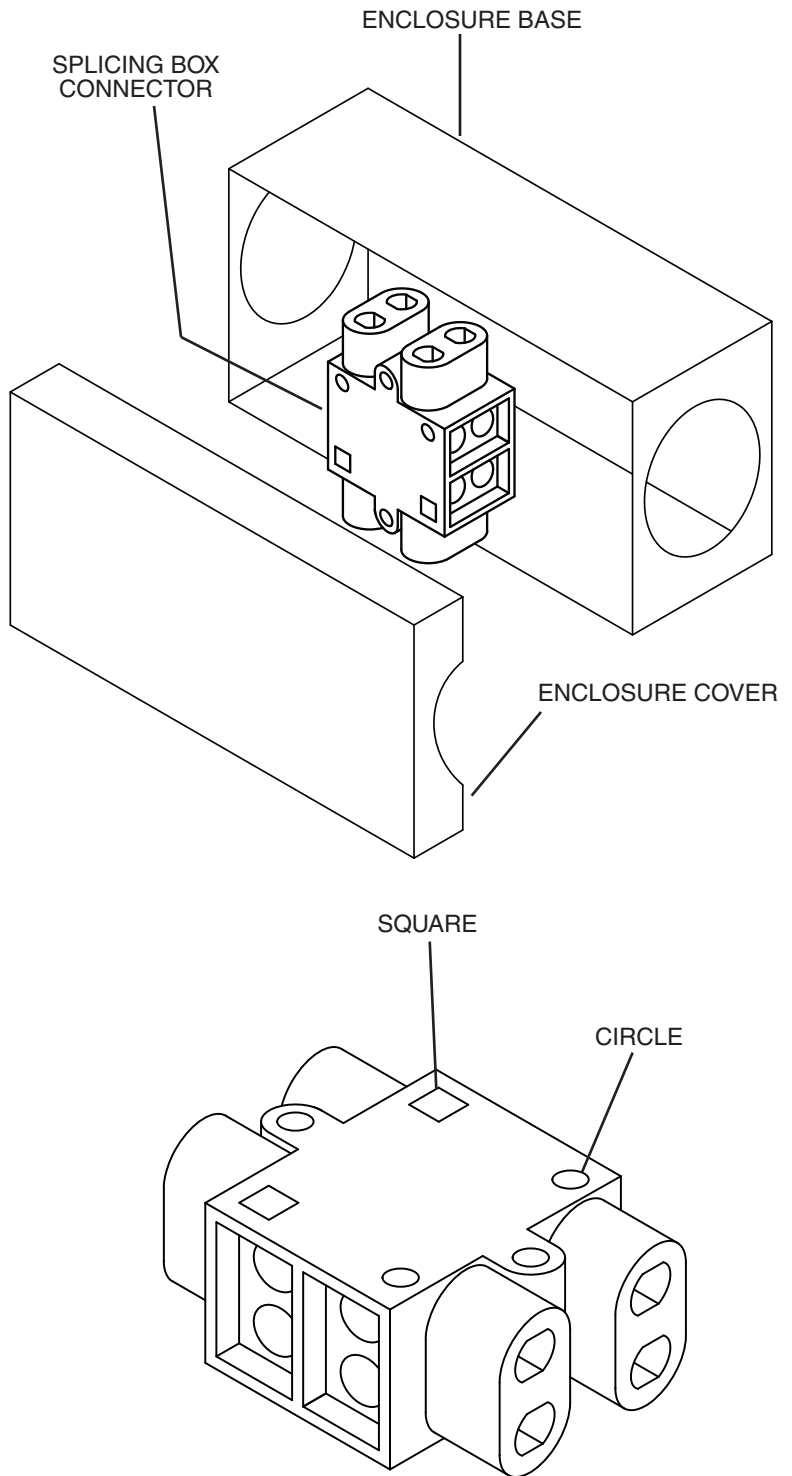


FIG. 1

KICHLER® 10GA WIRE AND LENGTH	PART NUMBER
WHITE, 25 FEET	10230WH
BLACK, 25 FEET	10230BK
WHITE, 100 FEET	10232WH
BLACK, 100 FEET	10232BK
WHITE, 500 FEET	10233WH
BLACK, 500 FEET	10233BK
WHITE, 1000 FEET	10234WH
BLACK, 1000 FEET	10234BK
ALSO FOR USE WITH KICHLER® TRANSFORMERS HAVING FACTORY ATTACHED WIRE	
12V, 75W WHITE	10214WH
12V, 75W BLACK	10214BK