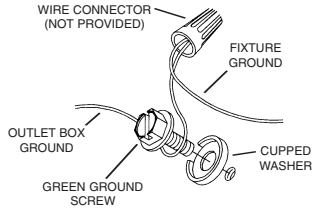


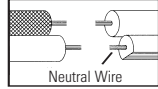
- 1) Turn off power.
- 2) Slip knobs on top of socket/ballast into keyholes in base (attached to fixture).
- 3) Turn socket/ballast clockwise to secure in place.
- 4) Lock socket/ballast by pushing tabs up into slots in base. (Ref. FIG. A)
- 5) Install canopy mounting screws, finger tight.
- 6) Apply thread locking compound to threaded pipe from parts bag approximately 1/2" into stem.
- 7) Slip canopy then mounting strap over stem(s) assembled to fixture.
- 8) Apply thread locking compound to threads in ball swivel. Secure in place by threading a hexnut onto threaded pipe inside ball.
- 9) Lift mounting strap up against ball swivel, aligning slot in ball with tab in strap. Snap ball retainer into place. Placing one side of ball retainer in place and then snapping the other in is suggested.
- 10) Attach assembled fixture/mounting strap to outlet box. Assemble mounting strap to ceiling with ball slot and tab towards lower portion of slope in ceiling. (REF: FIG. B)
- 11) Attach ground wire from outlet box between cupped washer and green ground screw. If fixture is provided with ground wire, connect fixture ground wire to outlet box ground wire with wire connectors (not provided). Never connect ground wire to black or white power supply wire.



- 12) Make wire connections (connectors not provided.) Reference chart below for correct connections and wire accordingly.

Connect Black or Red Supply Wire to:	Connect White Supply Wire to:
Black	White
*Parallel cord (round & smooth)	*Parallel cord (square & ridged)
Clear, Brown, Gold or Black without tracer	Clear, Brown, Gold or Black with tracer
Insulated wire (other than green) with copper conductor	Insulated wire (other than green) with silver conductor

*Note: When parallel wires (SPT I & SPT II) are used. The neutral wire is square shaped or ridged and the other wire will be round in shape or smooth (see illus.)



- 13) Carefully slip canopy up stem and secure to ceiling using lockwashers (Canadian installations only) and ball knobs.

NOTE: Thread locking compound must be applied to all stem threads as noted with symbol (▸) to prevent accidental rotation of fixture during cleaning, relamping, etc.

FIG. A

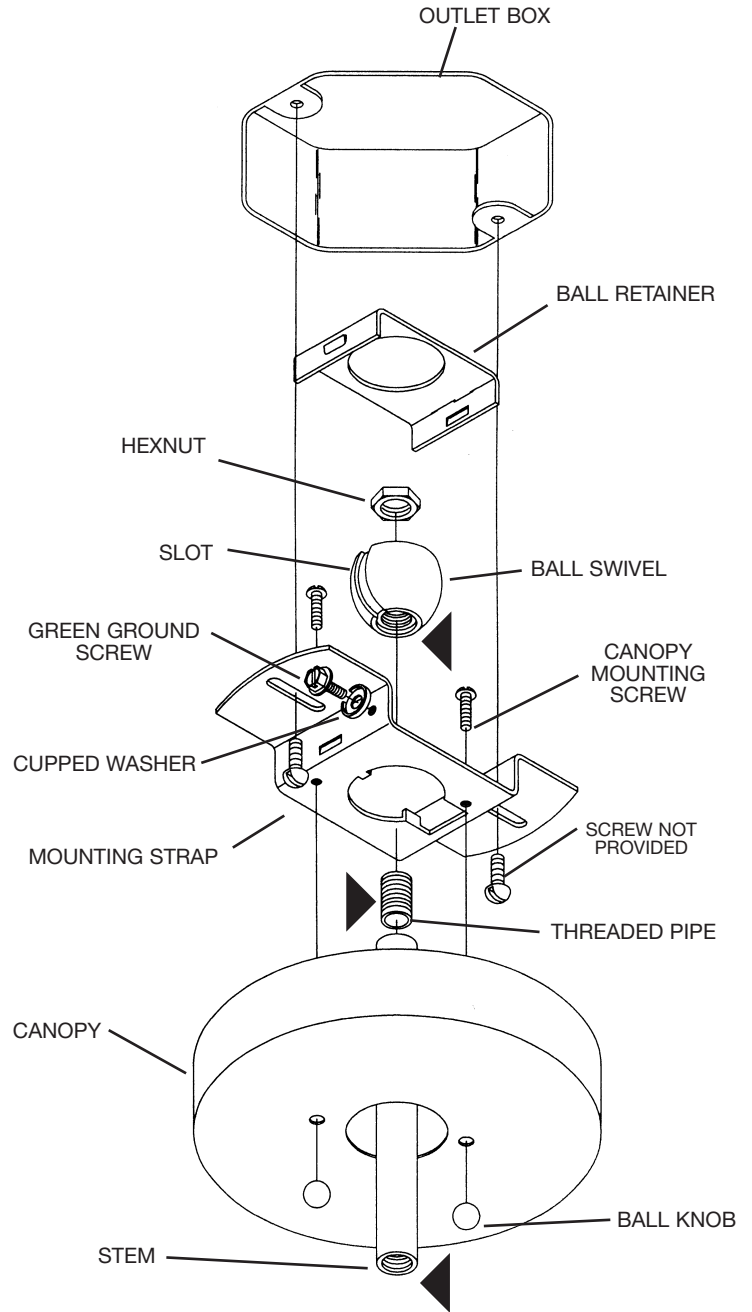
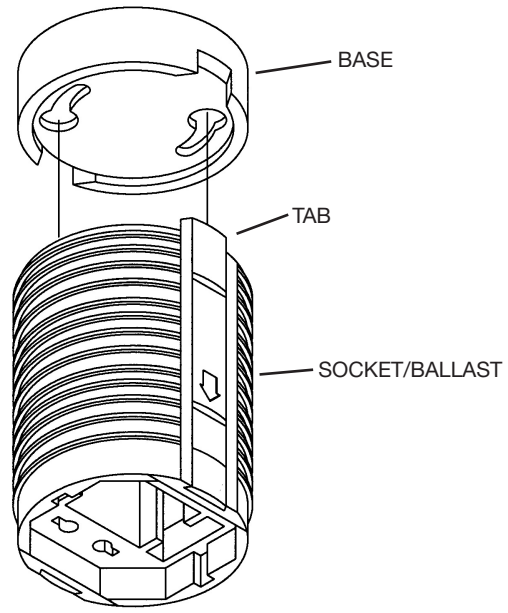


FIG. B

