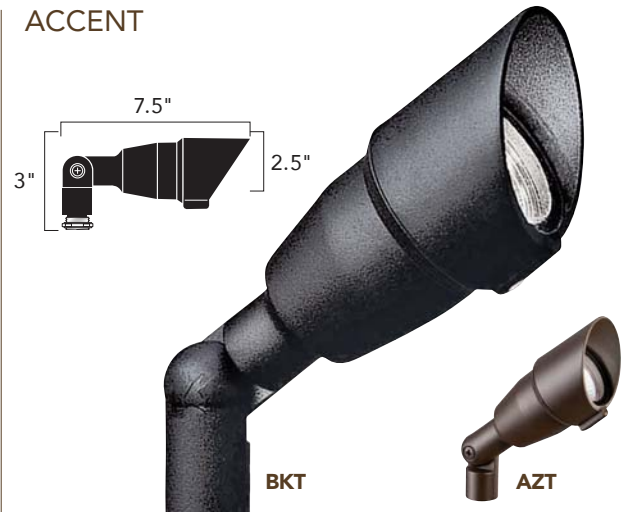


ACCENT



15309 AZT 12, BKT

ACCENT



15374 AZT, AZT 20L 24, BKT, 20L 24

Ordering Guide & Finish	15309 AZT 15309 AZT 12 15309 BKT	15374 AZT 15374 AZT 20L 15374 AZT 20L 24 15374 BKT 15374 BKT 20L 24
Housing	Cast Aluminum. Heat resistant flat glass lens is fully sealed.	Cast Aluminum. Heat-resistant flat glass lens is fully sealed.
Lamp Base	12V Incandescent bi-pin, high temperature porcelain socket	12V Incandescent bi-pin, high temperature porcelain socket
Supplied Lamp	20-W(VA) MR-16. Halogen light source.	Lamp not supplied unless noted
Incandescent Lamp Options	Power usage at 12V AC input VA MAX: 35-W(VA) MR-16 35-W(VA) MR-11 see page 140	Power usage at 12V AC input VA MAX: 50-W(VA) MR-16 20-W(VA) Max. Canada see page 140
LED Lamp Options	4W (18126-18133) see page 137 Compares to 20W Halogen 5W (18134-18141) see page 137 Compares to 35W Halogen	4W (18126-18133) see page 137 Compares to 20W Halogen 5W (18134-18141) see page 137 Compares to 35W Halogen
Wiring	40" of usable #18-2, SPT-1-W leads. Cable connectors supplied.	31" of usable #18-2, SPT-1-W leads. Cable connectors supplied.
Mounting Access. (Included)	8" slotted in-ground stake	8" slotted in-ground stake
Optional Mounting Accessories	15601 – Surface Mounting Flange 15607 – Surface Mounting Bracket 15609 – Junction Box Mounting Bracket 15647 – 90° Elbow 15649 – Stem Coupler 15645, 15656, 15657, 15658 or 15570 – Stems	15601 – Surface Mounting Flange 15607 – Surface Mounting Bracket 15609 – Junction Box Mounting Bracket 15647 – 90° Elbow 15649 – Stem Coupler 15645, 15656, 15657, 15658 or 15570 – Stems
Optional Lens Accessories	15631 BL – Blue Filter 15632 LIN – Linear Lens 15633 FRO – Frosted Lens 15634 BK – Louver	15641 BL – Blue Filter 15642 LIN – Linear Lens 15643 FRO – Frosted Lens 15644 BK – Hexcell Louver Shield
Notes	N/A	N/A