

Assembly Instructions

For Portable Lamp

Model # P054-144

WARNING

Risk of shock, do not plug in the unit before assembly.

Do not exceed the maximum wattage (150W) rating.

(NE PAS DEPASSER LA PUISSANCE NOMINALE MAXIMALE!)

Before you begin assembly of your new fixture,

Please follow the instruction manual step by step.

ASSEMBLY

1. Assemble the tube (E) and marble base (J) by long screw $3\frac{1}{2}$ "(D) and spring washer (B) +washer (C) with washer 1" (F)+ washer $\frac{3}{4}$ " (G)+ spring washer (H) and nut (I) using tool hex key (A) and wrench (K).
- ✳ Insert the long screw first and Don't Screw Tight.
2. Insert the cylinder nut (M) and tool (L) to the hole and assembled with long screw 4" (N) and spring washer (V) using tool hex key (A). Then tighten all the parts and take off the tool (L).
3. Insert the arch arm (Q) into the tube (E) with the screw (P) and (O).
4. Lamp shade (T) will be assembled by ring (S) and (R).
5. Install a Light Bulb (U) in the Lamp Holder (150w Max).
6. Make sure all parts are securely tightened.

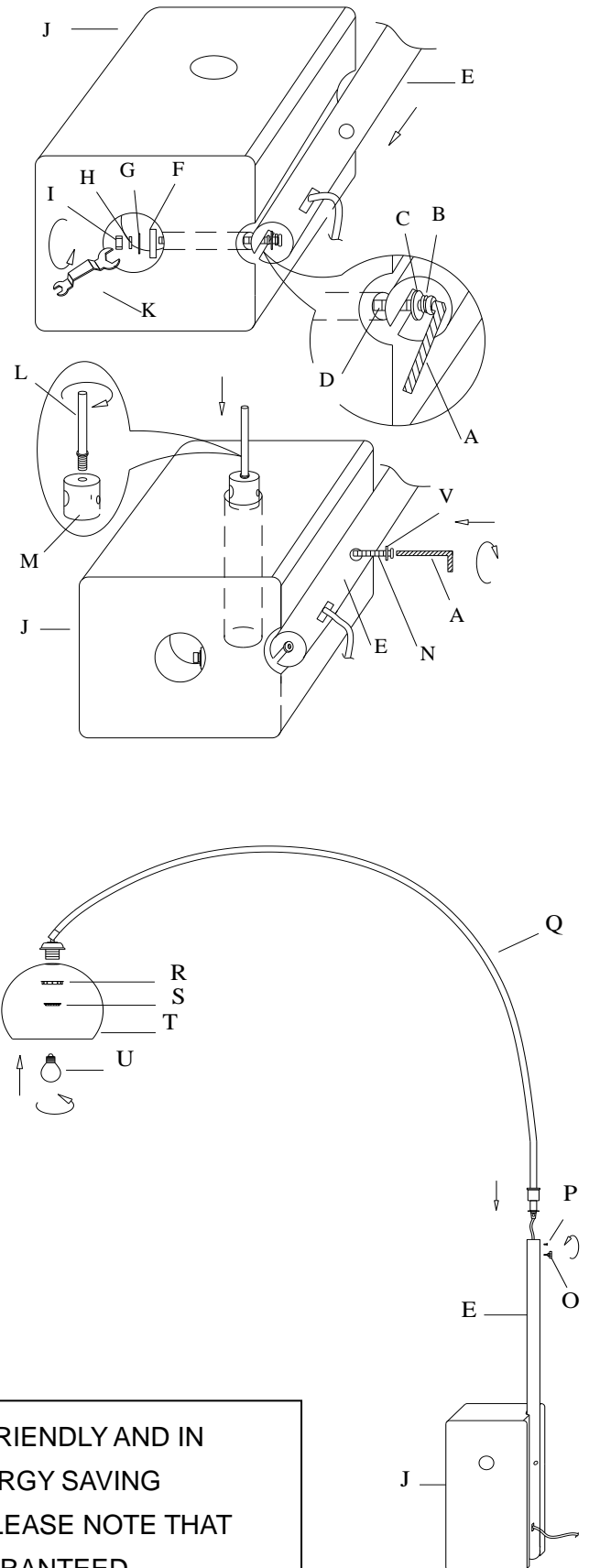
SAVE THESE INSTRUCTONS

IMPOPRTANT SAFETY INSTRUCTIONS

This portable lamp has a polarized plug (one blade is wider than the other) as a safety feature to reduce the risk of electric shock. This plug will fit in a polarized Outlet only one way. If the plug does not fit fully in the outlet, reverse the plug. If it still does not fit .contact a qualified electrician.

Never use with an extension cord unless plug can be fully inserted. Do not alter the plug.

IN AN ONGOING EFFORT TO BE ENVIROMENTALLY FRIENDLY AND IN COMPLIANCE WITH CALIFORNIA TITLE 20 AN ENERGY SAVING COMPACT FLUORESCENT BULB(S)IS INCLUDED. PLEASE NOTE THAT THE LIFE EXPECTANCY OF THE BULB(S) IS NOT GUARANTEED.



(Date: Mar, 2010)

MADE IN CHINA