

INSTALLATION INSTRUCTIONS

Item#P395 (Rev. 05/10/2012)

READ AND SAVE THESE INSTRUCTIONS

WARNING! SHUT POWER OFF AT FUSE OR CIRCUIT BREAKER.

AVERTISSEMENT! COUPER LE COURANT AU NIVEAU DES FUSIBLES OU DU DISJONCTEUR.

HANGING THE FIXTURE (Fig. 1)

1. Carefully remove the fixture from the carton and check that all parts are included as shown in the illustration.
2. Shut off power at the circuit breaker and remove the old fixture including the mounting hardware.
3. Disassemble metal ball (M) from the fixture body by removing screws (O) with wrench (N) provided.
4. Install the 1*50W GU10 halogen bulb (I) (included) into metal ball (M) by suction cup (P) provided in accordance with the fixture's specifications. **(DO NOT EXCEED THE MAXIMUM WATTAGE RATING!)**
5. Align the metal ball (M) to the rods from fixture body (G) and secure with screws (O) by using wrench (N).

SUGGESTED INSTALLATION (Fig. 4)

6. Attach the mounting plate (A) to the junction box using screws (B).
7. Determine the desired hanging height and thread rods (F1, F2, F3) to fixture body (G). Next place canopy (C) over rod (F) and thread hanger ball (E) to rod (F). Please remove the nipple if installing with one 6" rod only.
8. While supporting the fixture, install the hanger ball into the mounting plate (A) by tilting at a slight angle so that the hanger ball (E) slips into the mounting plate (A) as shown. Align the notch in the hanger ball (E) to the tab on the mounting plate (A) to prevent the fixture from turning.

CONNECTING THE WIRES (Fig. 3)

9. At this point, connect the electrical wires as shown in figure 3, making sure that all wire connectors are secured. If your outlet has a ground wire (green or bare copper), connect the ground wires from the hanger ball and mounting plate to it. Otherwise, connect the ground wire from the hanger ball directly to the mounting plate ground wire and secure with wire connectors provided.
10. After the wires are connected, tuck them carefully into the ceiling junction box.

COMPLETING THE INSTALLATION (Fig. 2)

11. Place canopy (C) over mounting plate (A) and secure with screws (D) as shown in Fig.4.
12. Align glass shade (J) to the bottom of fixture body (G) and secure with metal ring (K) by screws (L).
13. Install the 3*75W Xenon bulbs (H) (included) in accordance with the fixture's specifications. **(DO NOT EXCEED THE MAXIMUM WATTAGE RATING!). (NE PAS DEPASSER LA PUISSANCE NOMINALE MAXIMALE!)**

Your installation is now complete. Return power to the junction box and test the fixture.

Note: Illustration (Fig. 1) on this manual is for installation purposes only. It may or may not be identical to the fixture purchased.

Fig. 1

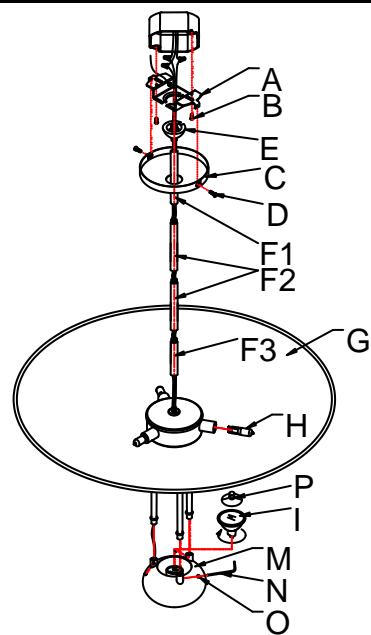


Fig. 2

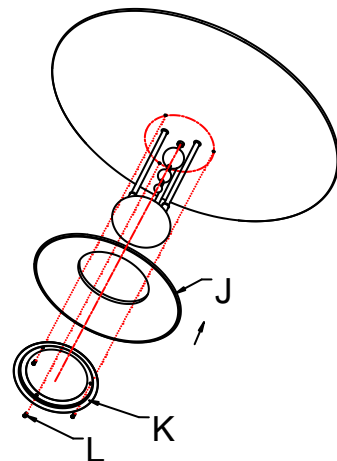
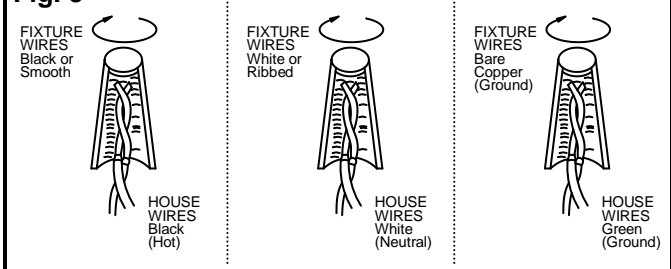


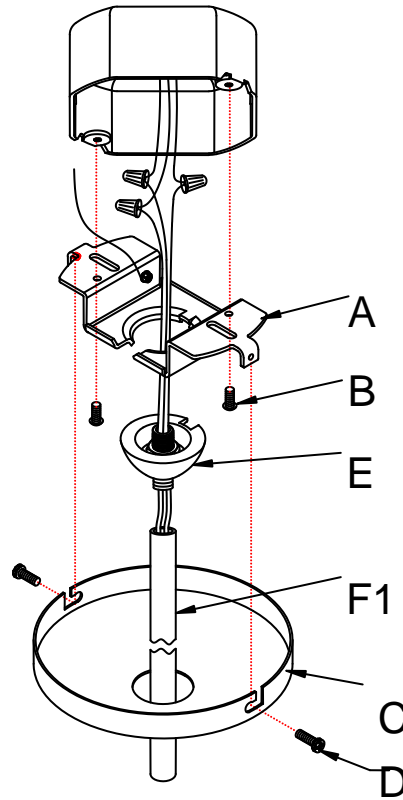
Fig. 3



IMPORTANT: FIXTURE SHOULD BE INSTALLED BY A QUALIFIED ELECTRICIAN TO ENSURE PROPER WIRING AND INSTALLATION.

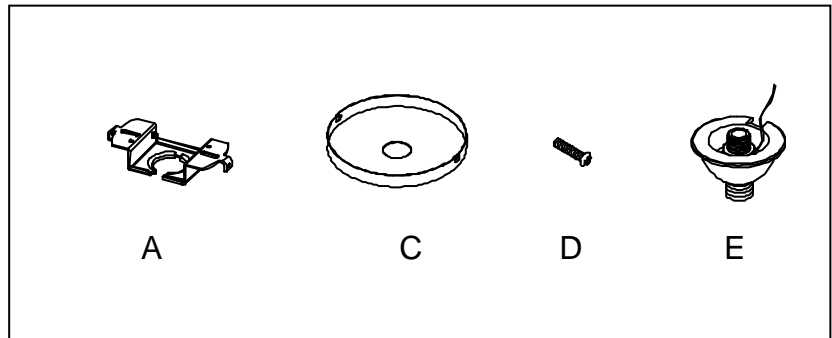


Fig.4



a. Hardware Bag:

- A. Mounting Plate*1
- C. Canopy*1
- D. Screw*2
- E. Hanger Ball*1



b. Hardware Bag:

- F1. ROD 12"*1
- F2. ROD 12"*2
- F3. ROD 6"*1

