

INSTALLATION INSTRUCTION for 6363

For Wall Mount Light Fixtures

**WARNING! SHUT POWER OFF AT FUSE OR CIRCUIT BREAKER .
AVERTISSEMENT! COUPER LE COURANT AU NIVEAU DES FUSIBLES OU DU DISJONCTEUR.**

READ AND SAVE THESE INSTRUCTIONS

PREPARATION

1. Shut off the power at the fuse box or circuit breaker box. If necessary. Remove old fixture and all mounting hardware from wall junction box.
2. Carefully unpack your new fixture and lay out all the parts on a clear area. Take care not to loose any small parts necessary for installation.

MOUNTING THE FIXTURE (FIG.1)

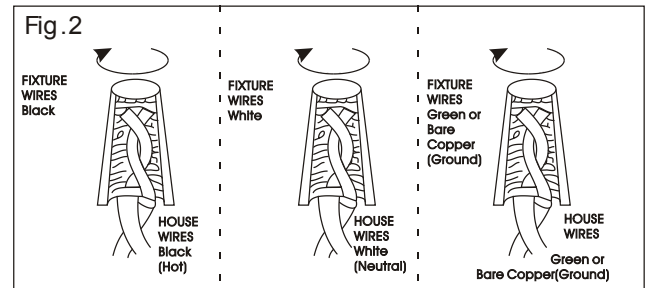
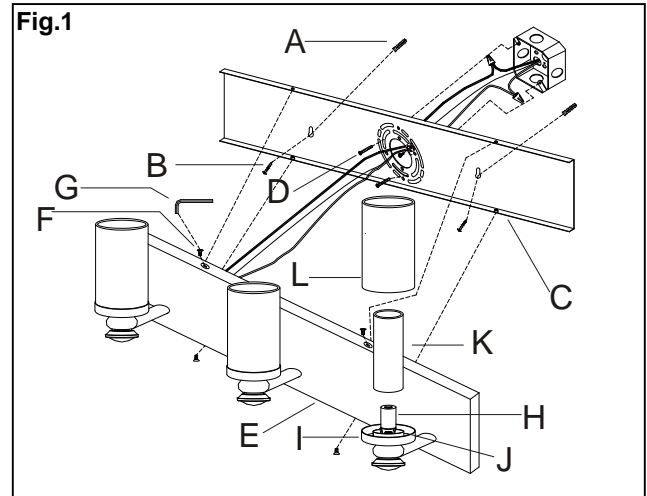
3. Insert outlet box screws (D) into the back plate (C), drill pilot holes for woodscrews (B) into the wall, insert anchors (A) into the pilot hole. Secure back plate (C) with outlet box screws (D) and wood screws (B).

CONNECTING THE WIRES (Fig. 2)

4. Connect the fixture wires to the junction box wires as shown in Fig. 2. Make sure all wire connectors are secure and do not easily pull off with a slight tug. If there is no green ground wire from the junction box, connect the fixture ground wire to the circular strap or the crossbar with the green screw provided.
5. Tuck these wire connections neatly into the outlet box.
6. Place the face plate (E) over the back plate (C), and then secure it with screws (F) by wrench (G).

COMPLETING THE INSTALLATION

7. Install the light bulbs in accordance with the fixture's specification:
(DO NOT EXCEED THE MAXIMUM WATTAGE RATING!) (NE PAS DEPASSER LA PUISSANCE NOMINALE MAXIMALE!)
8. Place the glass (K) over the socket (H) and onto the small cap(I), then Place the glass(L) over the glass(K) and onto the big cap (J)



Return the power to the junction box and test the fixture. Your installation is now complete.