

# INSTALLATION INSTRUCTION FOR 686

**WARNING! SHUT POWER OFF AT FUSE OR CIRCUIT BREAKER .**  
**AVERTISSEMENT! COUPER LE COURANT AU NIVEAU DES FUSIBLES OU DU DISJONCTEUR.**

READ AND SAVE THESE INSTRUCTIONS

## PREPARATION

1. Shut off the power at the fuse box or circuit breaker box. If necessary, remove the old fixture and all mounting hardware from wall junction box.
2. Carefully unpack your new fixture and lay out all the parts on a clear area. Take care not to lose any small parts necessary for installation.

## ASSEMBLING THE FIXTURE

3. Thread the nut (H) onto the nipple (I), then thread the nipple (I) the cap (G) into the coupling (F) and tighten with the nut (H).
4. Slide the tube (J), cap (K), iron washer (L), plastic washer (M), the glass shade (N), plastic washer (O) and the iron washer (P) over the nipple (I), and secure with the nut (Q).
5. Slide the cap (R) over the nipple (I), and secure with the finial (S).

## MOUNTING THE FIXTURE (FIG.1)

6. Thread the two mounting screws (A) part way into the mounting bar (B). Secure the mounting bar (B) to junction box with the junction box screws (C).

## CONNECTING THE WIRES (Fig. 2)

7. Connect the fixture wires to the junction box wires as shown in Fig. 2. Make sure all wire connectors are secure and do not easily pull off with a slight tug. If there is no green ground wire from the junction box, connect the fixture ground wire to the circular strap or the mounting bar with the green screw provided.
8. Tuck these wire connections neatly into the wall junction box.
9. Raise the canopy (D) allowing for the mounting screws (A) to protrude through the holes on the canopy (D), then secure with the finials (E).

## COMPLETING THE INSTALLATION

10. Install the proper light bulbs for your fixture.  
**DO NOT EXCEED THE SPECIFIED WATTAGE!**  
**(NE PAS DEPASSER LA PUISSANCE NOMINALE MAXIMALE!)**

Return the power to the junction box and test the fixture. Your installation is now complete.

Fig.1

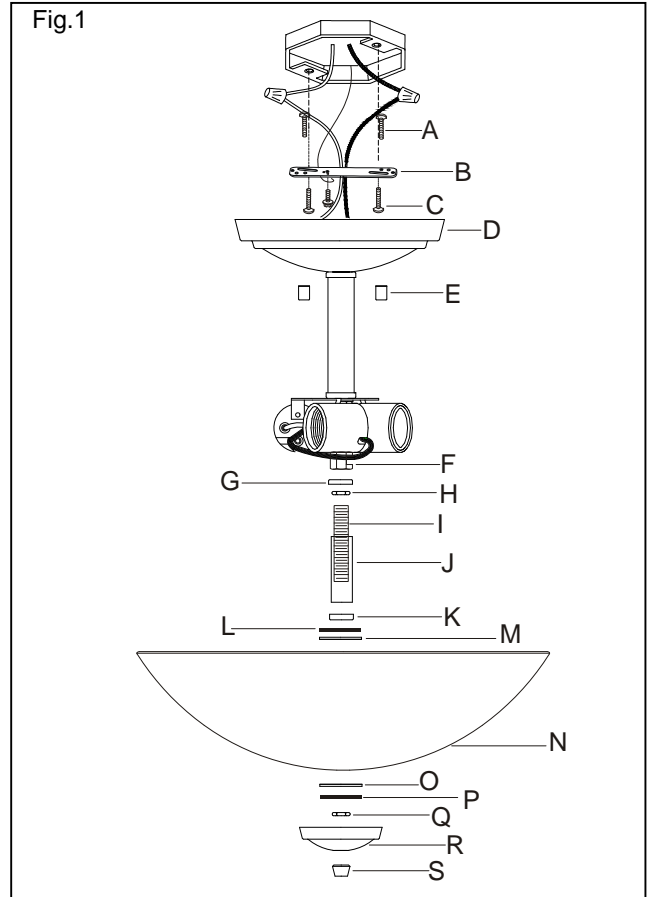


Fig. 2

