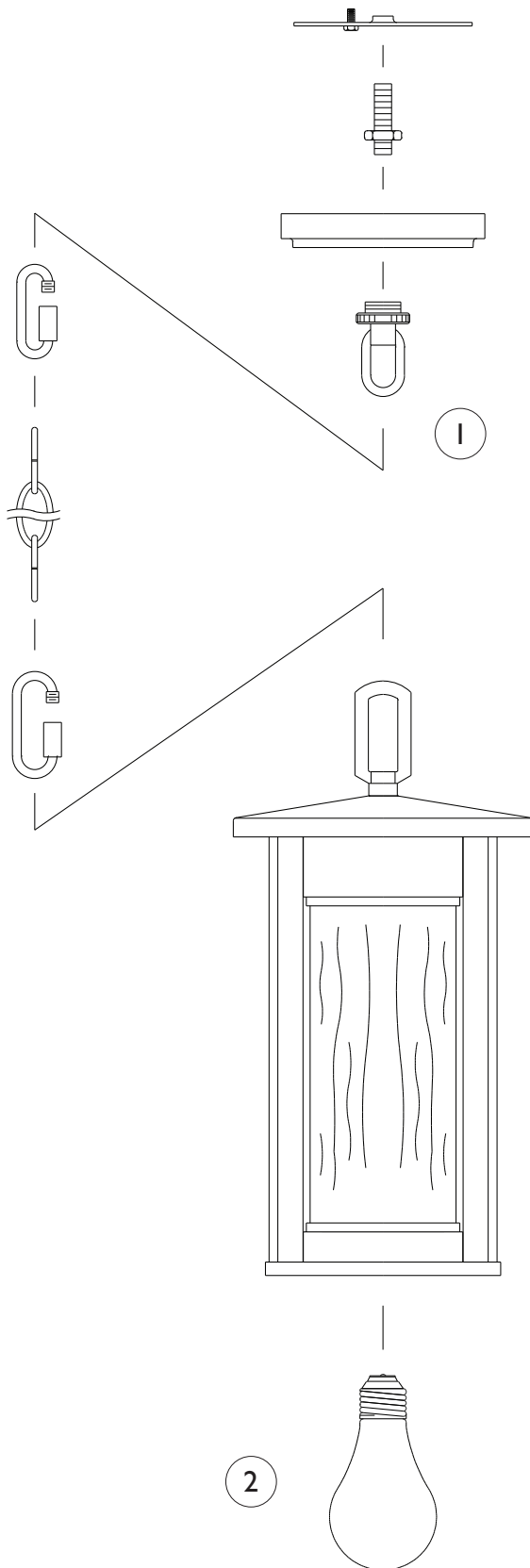


# Assembly Instructions For

# OL7911 (E) 5/10

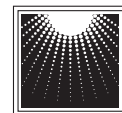


**IMPORTANT**  
**TURN OFF THE POWER AT THE MAIN FUSE OR**  
**CIRCUIT BREAKER BOX**  
**BEFORE STARTING INSTALLATION**

Carefully unpack and identify all parts before assembly.  
Bulbs not included.

Note: If main frame feels loose then tighten any loose screws, which are located at bottom of frame, by using enclosed hex key.

1. Follow enclosed supplement installation instructions for electrical and fixture installation onto house outlet box. If you do not have an outlet box at desired location to attach the fixture then hire a qualified electrician to create one.
2. Install bulb (not included). See relamping label located at socket area for type and maximum allowed wattage.



**MURRAY**  
**FEISS**

GENERATION  
BRANDS™