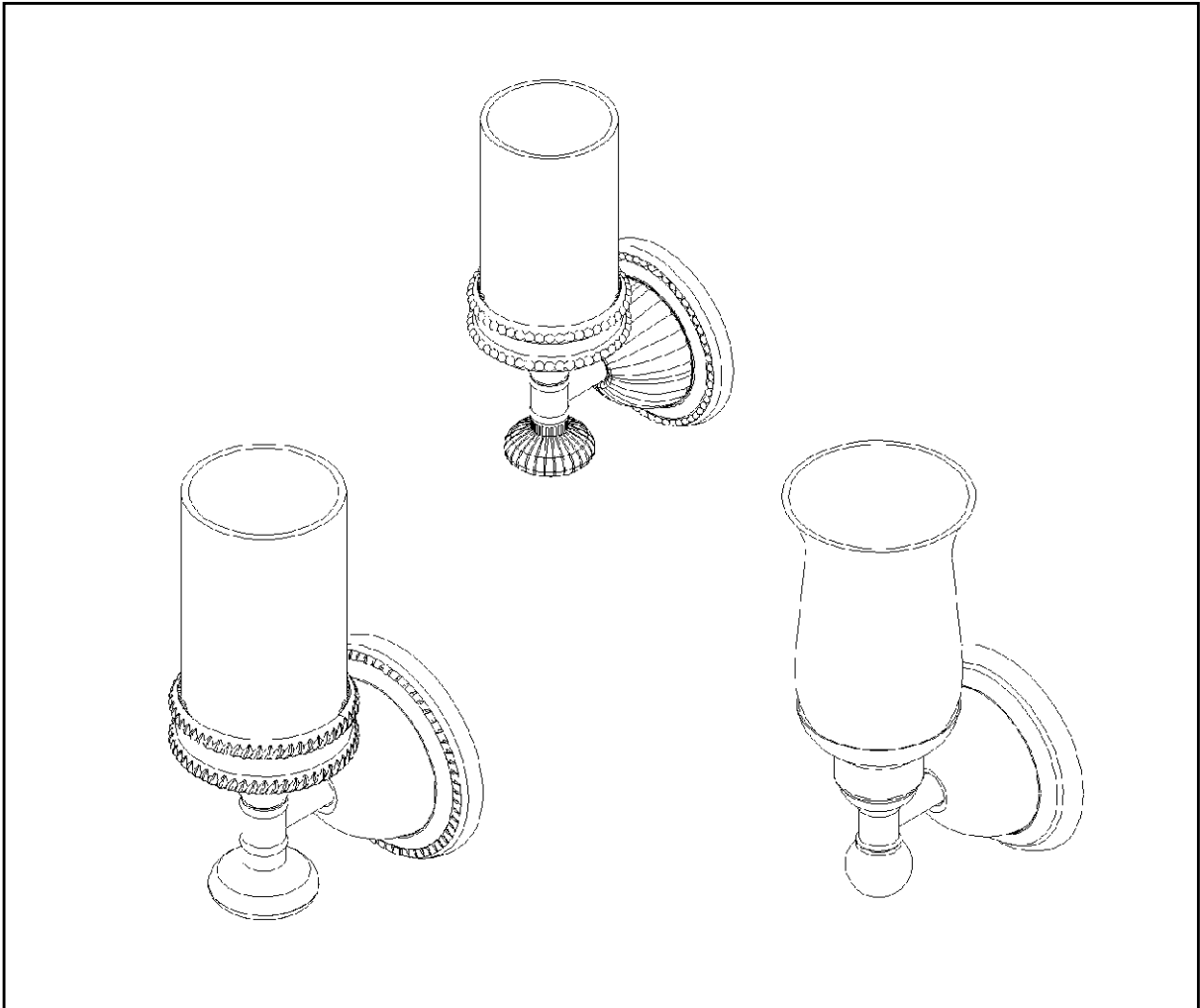


INDOOR WALL-MOUNT LIGHT FIXTURE
INSTALLATION INSTRUCTIONS

MODEL No: 12-51 & 52, 15-51 & 52, 22-51 & 52

(Note: -52, double series, not shown but typical installation)



Congratulations on the purchase of this Newport Brass product, an excellent choice that will give you years of quality service and enhance the look and style of your home.

WALL MOUNT ONLY SHADE UP INSTALLATION ONLY

CAUTION: DISCONNECT POWER

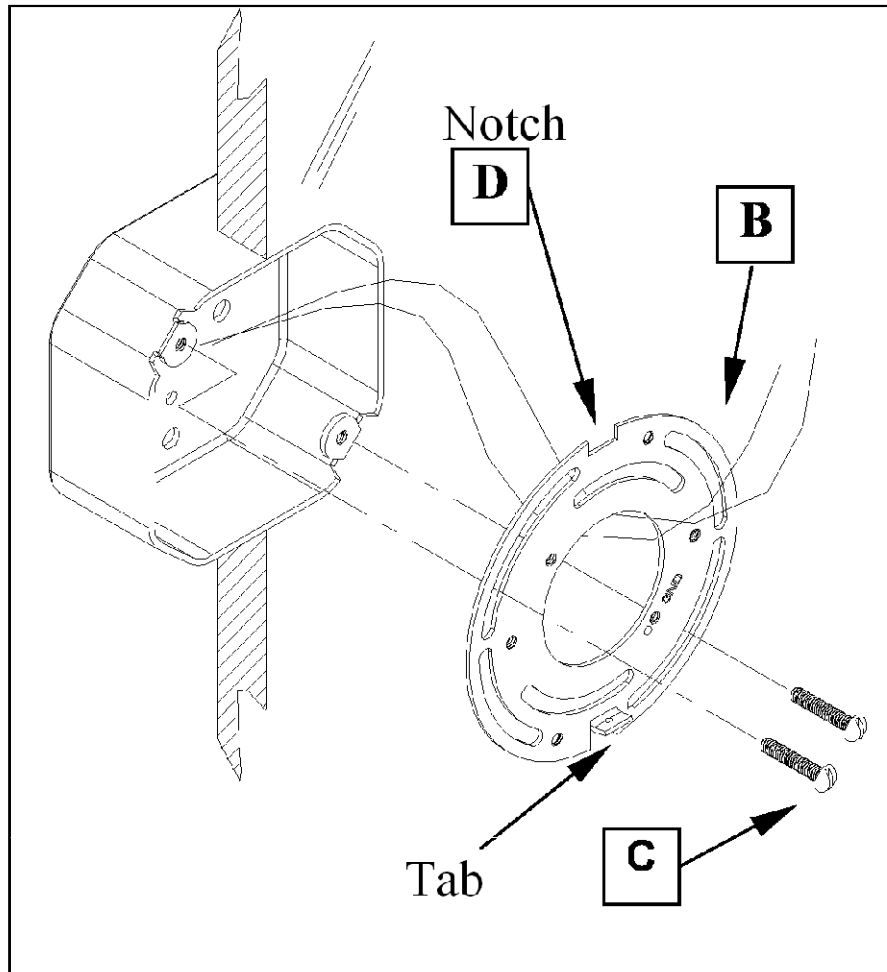
Always shut off power when installing or repairing this, or any other electric appliance.

FAILURE TO DO SO MAY RESULT IN SEVERE INJURY OR DEATH

Installation by a licensed electrical contractor recommended.

I Preparing Wall Outlet

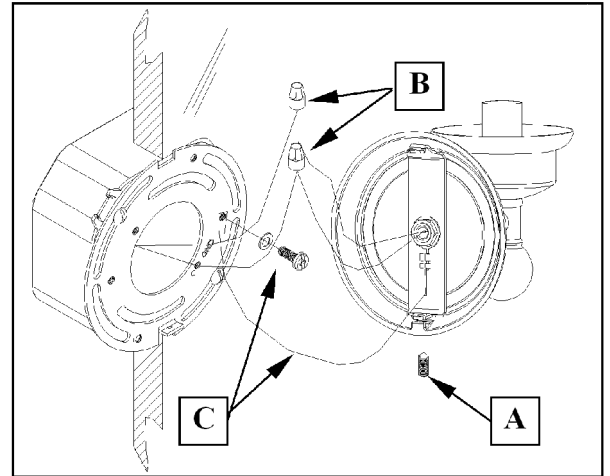
- A. Check fit the light fixture base over outlet box to ensure cutout in wall will be covered completely after installation.
- B. Pull live, neutral and ground wires out of electrical outlet box and through the center of mount plate.
- C. Thread mounting screws through mount plate and attach to outlet box.
- D. Be sure mount plate is straight with notch located at the top, tab at the bottom and flush with wall surface.



2 Wire Light Fixture to Outlet

Support Fixture during wiring process.

- A. First attach setscrew into fixture base.
- B. Strip, clean and twist together black fixture wire with live outlet wire. Next, strip, clean and twist together white fixture wire with neutral outlet wire. Use wire nuts to secure connections and cover all exposed wires.
- C. Connect fixture/outlet ground wire(s) to mount plate using washer and ground screw.



3 Mount Light Fixture to Wall

Remove bulbs and shut off power prior to step 3.

- A. Tuck wires back into the electrical outlet box behind wall mount plate.
- B. Rotate fixture slightly to locate the strap hook into wall plate notch, located at the top.
- C. Continue rotating down to locate setscrew slot into wall plate tab, located at the bottom.
- D. Tighten setscrew to firmly secure fixture into place.
- E. After completing wall mount installation, install bulb(s), (Max. 60 watt, Type B, Candelabra Base Bulb - not included).
- F. Install shade(s), Turn on power.

