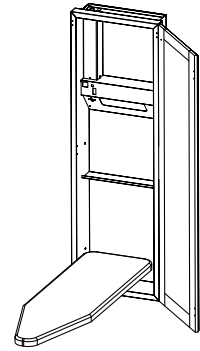


# PressRite™ “Deluxe”

## BUILT-IN IRONING CENTER

### MODEL AVD50B



For built-in installation or optional surface mounting

**FEATURES**

- 24-gauge steel cabinet
- Heavy-duty ventilated metal board w/pad
- 3-position height adjustment
- Board swivels a full 180 degrees
- Hot iron storage shelf - accepts irons up to 12” high
- Utility/storage shelf - accepts items up to 11” high
- Multiple door styles available separately
- Door mounting - both left and right
- Magnetic door catch
- Built-in light - 40 watt max. bulb (not included)
- Safety switch/auto shutoff
- Silent 60-minute timer
- Pilot light
- Convenient 3-prong, grounded, built-in outlet for iron
- Board cover included

**Additional Doors Available (sold separately):**

- AVDORPB Oak Raised Panel - Unfinished
- AVDWRPB White Oak Raised Panel
- AVDOFPB Birch Flat Panel - Unfinished
- AVDMFPB Mirror Door - Beveled



**TYPICAL SPECIFICATIONS**

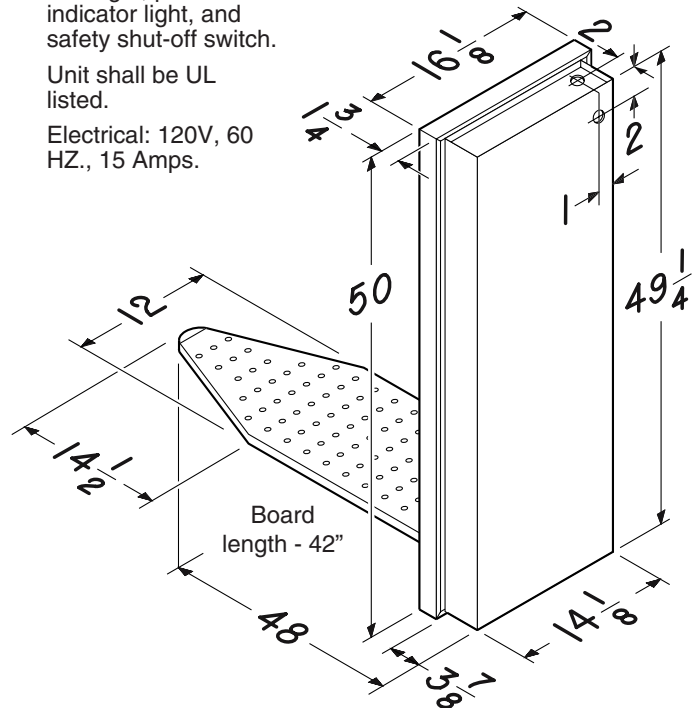
Ironing center shall be Broan PressRite™ Model AVD50B. Built-In Ironing Center shall be heavy gauge steel construction in white finish. A 49¼”H x 14⅛”W x 3⅞”D wall opening is required. Optional collar allows surface mounting when needed or desired.

Cabinet shall have ironing board safety retainer. Choose from optional PressRite™ custom doors.

Cabinet to have convenience outlet, timer, built-in worklight, power indicator light, and safety shut-off switch.

Unit shall be UL listed.

Electrical: 120V, 60 HZ., 15 Amps.



Broan-NuTone LLC, 926 West State Street, Hartford, WI 53027 (1-800-637-1453)

REFERENCE	QTY.	REMARKS	Project
			Location
			Architect
			Engineer
			Contractor
			Submitted by <span style="float: right;">Date</span>