

Type _____

-88

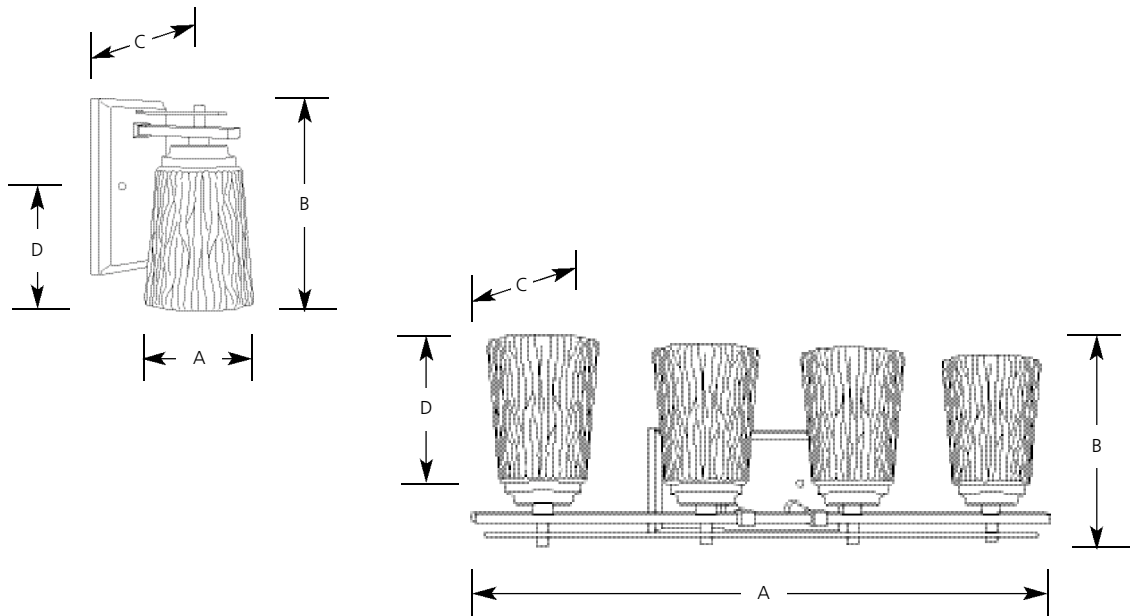
P3092

P3093

P3094

P3095

Catalog No.	Finish Heirloom	Lamping	Dimensions (Inches)			
			A	B	C	D
P3092	-88	1 (m) 100w	4-3/4	8	6-1/8	4-1/2
P3093	-88	2 (m) 100w	14-1/2	8	6-1/8	5-3/4
P3094	-88	3 (m) 100w	18-1/2	8	6-1/8	5-3/4
P3095	-88	4 (m) 100w	24-1/2	8	6-1/8	5-3/4



Specifications:

General

- Etched light topaz wave glass shade
- Linear strut design
- Rectangular back plate
- Can be mounted in "up" or "down" position
- Steel construction
- Hand painted heirloom finish
- Companion chandelier, hall & foyer, mini-pendant, and close to ceiling units

Mounting

- Wall mounted
- Back plate covers a standard recessed 4" octagonal outlet box
- Mounting plate for outlet box included

Electrical

- Ceramic medium based sockets
- Threaded socket ring secures glass

- Pre-wired

Labeling

- UL-CUL damp location listed