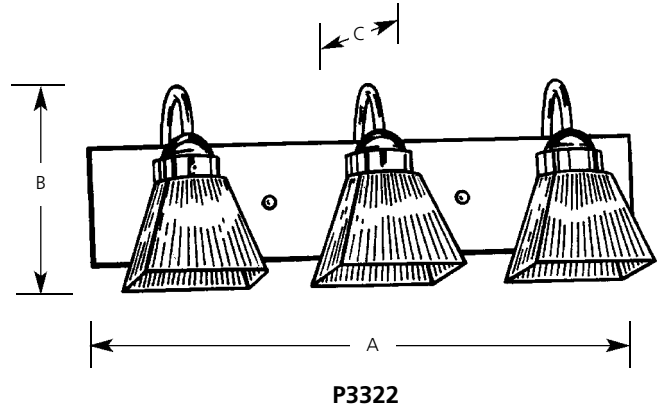
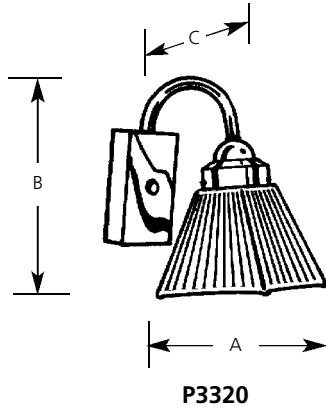


Type		
	-10	-15
P3320	<input type="checkbox"/>	<input type="checkbox"/>
P3321	<input type="checkbox"/>	<input type="checkbox"/>
P3322	<input type="checkbox"/>	<input type="checkbox"/>
P3323	<input type="checkbox"/>	<input type="checkbox"/>
P3324	<input type="checkbox"/>	<input type="checkbox"/>

Catalog No.	Finish		Lamping	Dimensions (Inches)		
	Polished Brass	Polished Chrome		A	B	C
P3320	-10	-15	1 (m) 100w	4-1/4	8	7-1/4
P3321	-10	-15	2 (m) 100w	13-1/2	8	7-1/4
P3322	-10	-15	3 (m) 100w	24	8	7-1/4
P3323	-10	-15	4 (m) 100w	30	7-1/4	
P3324	-10	-15	5 (m) 100w	36	8	7-1/4



Specifications:

General

- Clear square prismatic glass shades
- Full width Polished Chrome or Polished Brass back plate
- Steel construction
- Glass held in place with thumb screws

Mounting

- Wall mount
- Can be mounted in the up or down position
- Covers outlet box
- P3320 back plate is 4-1/4" square

Electrical

- Medium based ceramic sockets
- Pre-wired

Labeling

- UL-CUL damp location listed