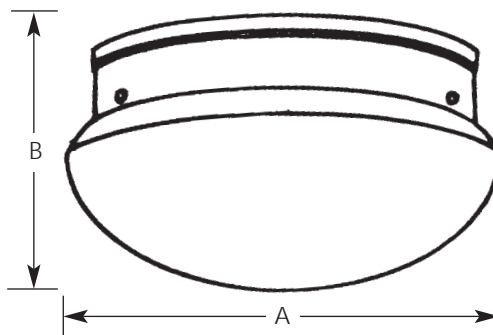


	Type _____				
	-09	-10	-20	-30	-33
P3412	<input type="checkbox"/>	<input type="checkbox"/>	<input type="checkbox"/>	<input type="checkbox"/>	<input type="checkbox"/>

Catalog No.	Finish			Lamping	Dimensions (Inches)	
	Brushed Nickel	Polished Brass	Antique Bronze		A	B
P3412	-09	-10	-20	2 (m) 75w	11-3/4	5-1/4

Catalog No.	White	Cobblestone	Lamping	Dimensions (Inches)	
				A	B
P3412	-30	-33	2 (m) 75w	11-3/4	5-1/4



**Specifications:**

General

- White glass
- (3) installed fitter screws to retain glass
- Brushed Nickel (-09), polished brass (-10), and antique bronze (-20) are plated finishes
- White (-30) and cobblestone (-33) are painted
- Steel construction

Electrical

- Pre-wired
- Requires 90 degree supply wire connections
- Medium based ceramic sockets, installed

Labeling

- UL-CUL Dry location listed

Mounting

- White glass
- (3) installed fitter screws to retain glass
- Brushed Nickel (-09), polished brass (-10), and antique bronze (-20) are plated finishes
- White (-30) and cobblestone (-33) are painted
- Steel construction